

THIS DOCUMENT, CONSISTING OF MULTIPLE DRAWING SHEETS, IS A REPRESENTATION OF THE PROJECT AND IS NOT TO BE USED FOR CONSTRUCTION. THE PROJECT IS THE PROPERTY OF POMMA CORP. ALL RIGHTS ARE RESERVED. THE PROJECT IS THE PROPERTY OF POMMA CORP. ALL RIGHTS ARE RESERVED. THE PROJECT IS THE PROPERTY OF POMMA CORP. ALL RIGHTS ARE RESERVED.

IL VILLAGGIO

1455 OCEAN DR. MIAMI BEACH, FLORIDA



**SUBMITTAL FOR:
GLASS CANOPY 3**

REV.	DATE	BY	NO.	DESCRIPTION

DESIGN, PROJECT MANAGEMENT, AND INSTALLATION OF THE BEST AVAILABLE MATERIALS
POMMA
 POMMA METALS CORP.
 www.pommetals.com
 2401 SW 10th Ave, Suite 1000, Ft. Lauderdale, FL 33304
 OFFICE: (754) 561-1000 FAX: (754) 561-1008

1. NO PART OF THESE DRAWINGS MAY BE REPRODUCED, EITHER IN WHOLE OR IN PART, WITHOUT THE WRITTEN PERMISSION OF POMMA METALS CORP.
 2. POMMA METALS CORP. IS NOT RESPONSIBLE FOR THE USER'S ACTIONS OR OMISSIONS.
 3. POMMA METALS CORP. IS NOT RESPONSIBLE FOR THE USER'S ACTIONS OR OMISSIONS.
 4. POMMA METALS CORP. IS NOT RESPONSIBLE FOR THE USER'S ACTIONS OR OMISSIONS.

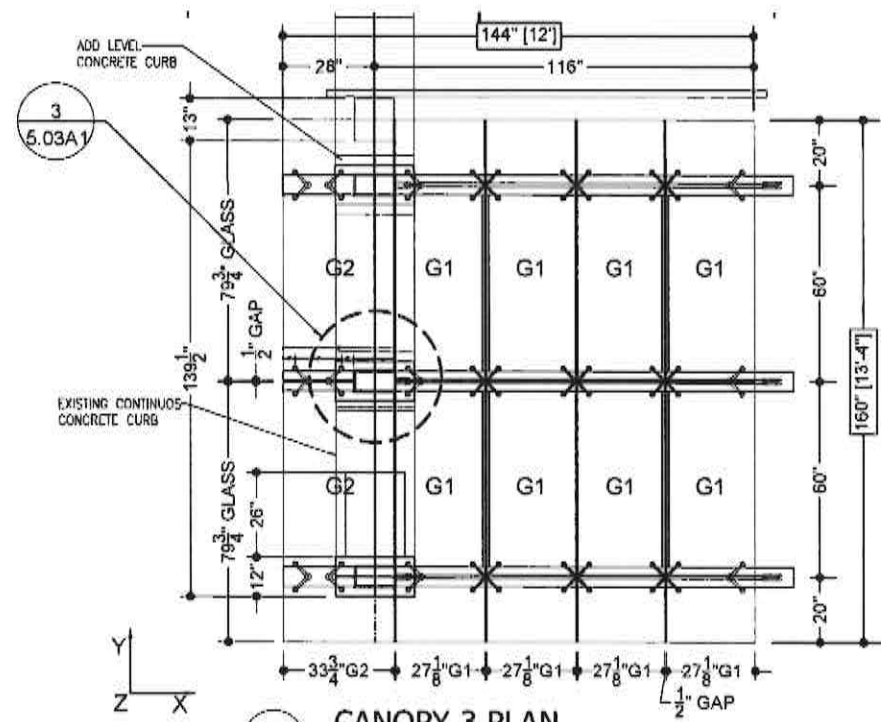
PROJECT NAME: IL VILLAGGIO RECREATION
 ADDRESS: 1455 OCEAN DR MIAMI BEACH, 33139
 PERMIT NO.: NATIONAL CONCRETE
 EXPIRES: 0000
 ENGINEER



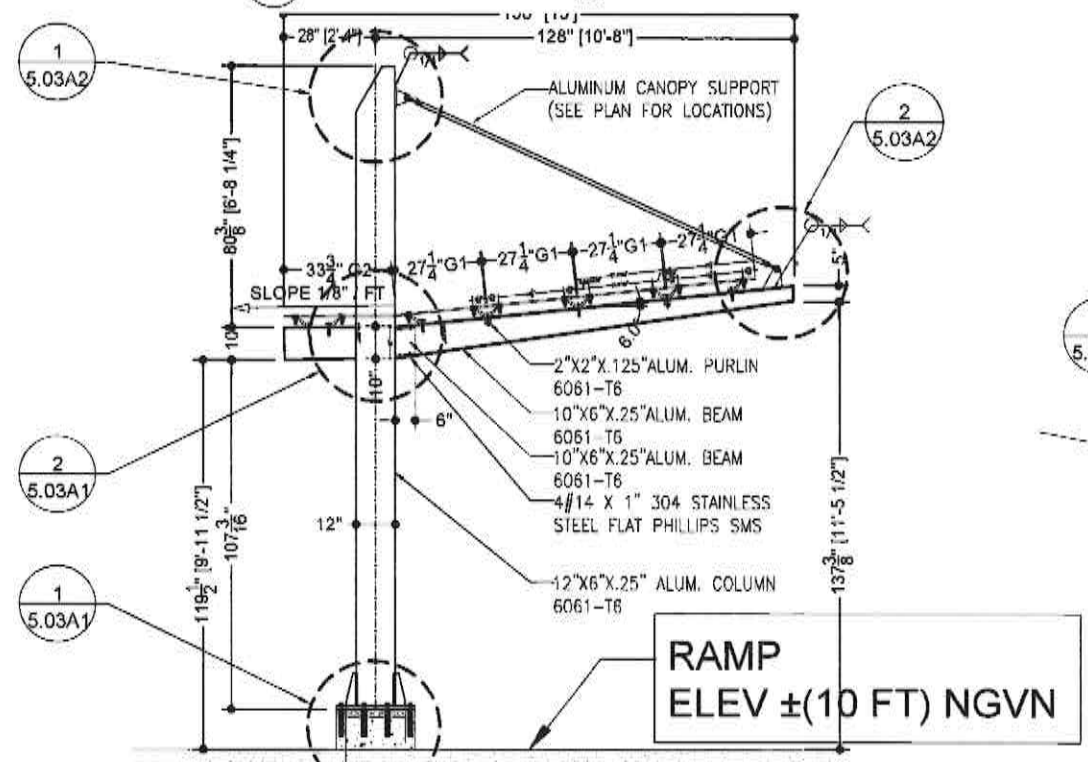
Digitally signed
 by Mohamed Fahmy
 Date: 2023.04.04 07:03:13 -04'00'

Job No.	M2-0069
Drawn by:	DIRI
Checked by:	JP
Scale:	X"=X'-X"
Sheet Size:	11X17
Date:	03/14/22
Sheet No.	CP

THIS DOCUMENT CONTAINS THE PROPERTY OF POMA. IT IS TO BE USED ONLY FOR THE PROJECT AND NOT BE REPRODUCED, COPIED, OR TRANSMITTED IN ANY FORM OR BY ANY MEANS, ELECTRONIC OR MECHANICAL, INCLUDING PHOTOCOPYING, RECORDING, OR BY ANY INFORMATION STORAGE AND RETRIEVAL SYSTEM. WITHOUT THE WRITTEN PERMISSION OF POMA, NO PART OF THESE DRAWINGS MAY BE REPRODUCED, ALTERED, OR TRANSMITTED IN ANY FORM OR BY ANY MEANS, ELECTRONIC OR MECHANICAL, INCLUDING PHOTOCOPYING, RECORDING, OR BY ANY INFORMATION STORAGE AND RETRIEVAL SYSTEM. POMA IS PROVIDING THIS DESIGN SERVICE FOR THE USE OF POMA ONLY. POMA DOES NOT REPRESENT THE USER, ALL DOCUMENTS REMAIN THE PROPERTY OF POMA.

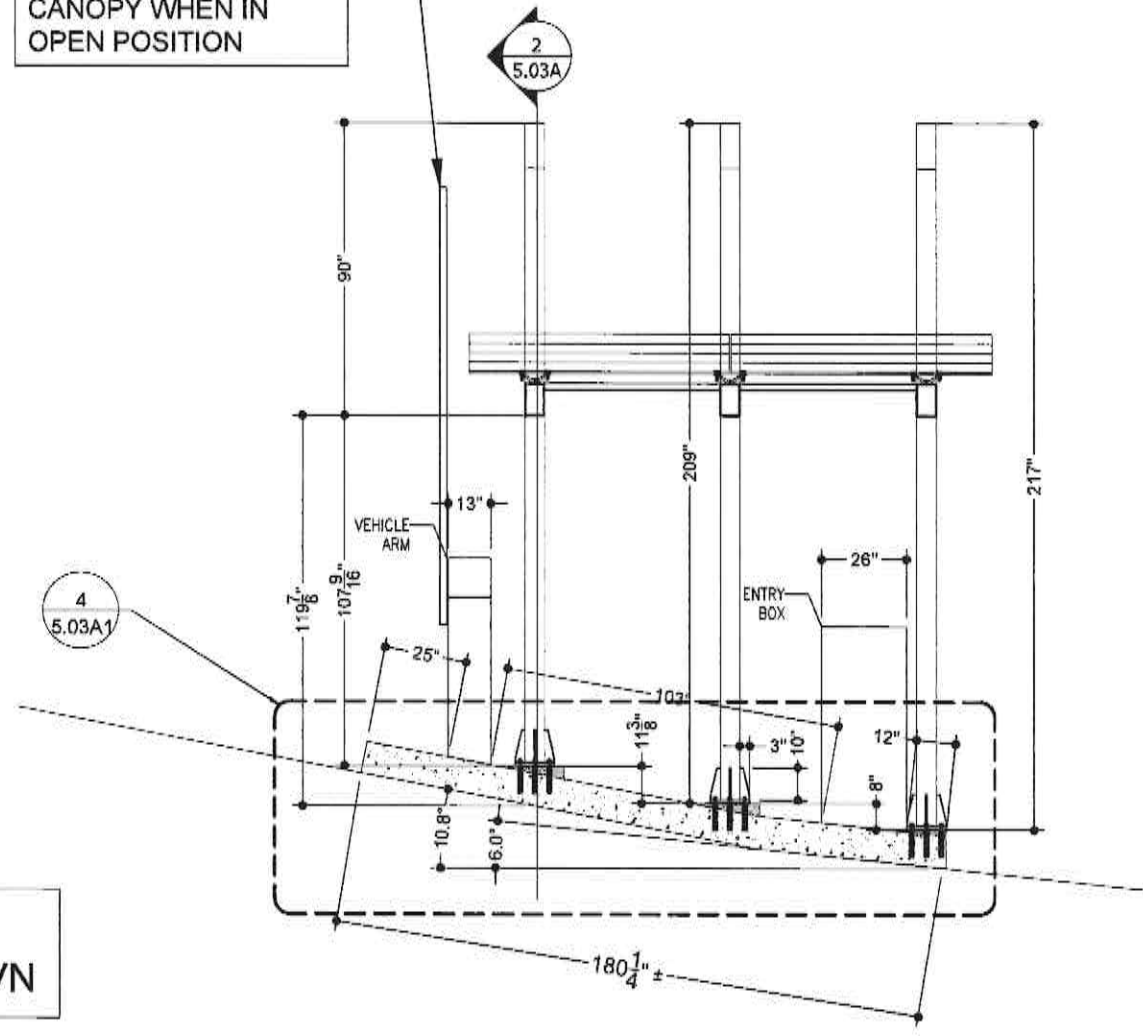


1 CANOPY 3 PLAN
NTS



2 CANOPY 3 SECTION
NTS

VERIFY THAT GATE ARM IS SHOWN ON PROPER SIDE OF CONTROLS AND WILL AVOID CONFLICT WITH CANOPY WHEN IN OPEN POSITION



3 CANOPY 3 ELEVATION
NTS

NO.	DATE	BY	DESCRIPTION

POMA
DESIGN PROJECT MANAGEMENT AND INSULATION OF THE PISTON AND TECHNICAL SERVICES
POMA METALS CORP.
www.pomametals.com
3000 S.W. 15th Ave., Palm City, FL 32909
OFFICE: 787.233.8888 FAX: 772.281.1748

1. NO PART OF THESE DRAWINGS MAY BE REPRODUCED, ALTERED, OR TRANSMITTED IN ANY FORM OR BY ANY MEANS, ELECTRONIC OR MECHANICAL, INCLUDING PHOTOCOPYING, RECORDING, OR BY ANY INFORMATION STORAGE AND RETRIEVAL SYSTEM. POMA IS PROVIDING THIS DESIGN SERVICE FOR THE USE OF POMA ONLY. POMA DOES NOT REPRESENT THE USER, ALL DOCUMENTS REMAIN THE PROPERTY OF POMA.

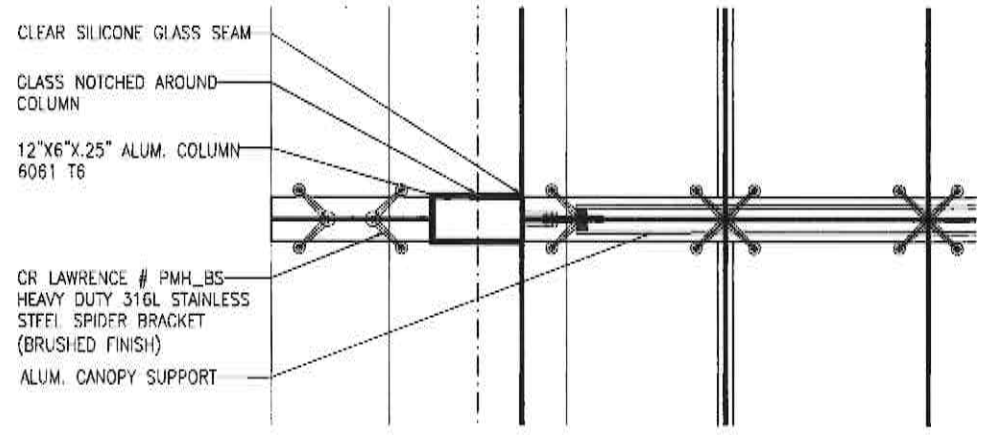
IL VILLAGGIO RECREATION
PROJECT NAME:
ADDRESS:
1455 OCEAN DR
MIAMI BEACH, FL 33139
SUBMITTAL:
CANOPY/PIES SD
CONTRACTOR:
NATIONAL CONCRETE
ARCHITECT:
WOOD
ENGINEER



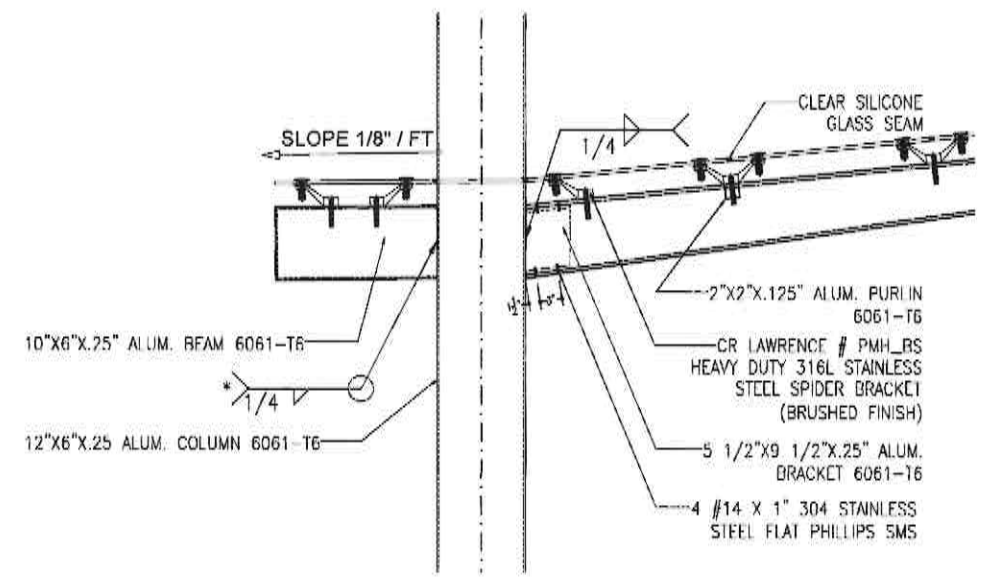
Digitally signed by Mohamed Fahmy
Date: 2023.04.04 07:04:25 -04'00'

Job No.: M2-0063
Drawn by: ORF
Checked by: JP
Scale: X"=X"X"
Sheet Size: 11X17
Date: 03/14/22
5.03A
Sheet No.:

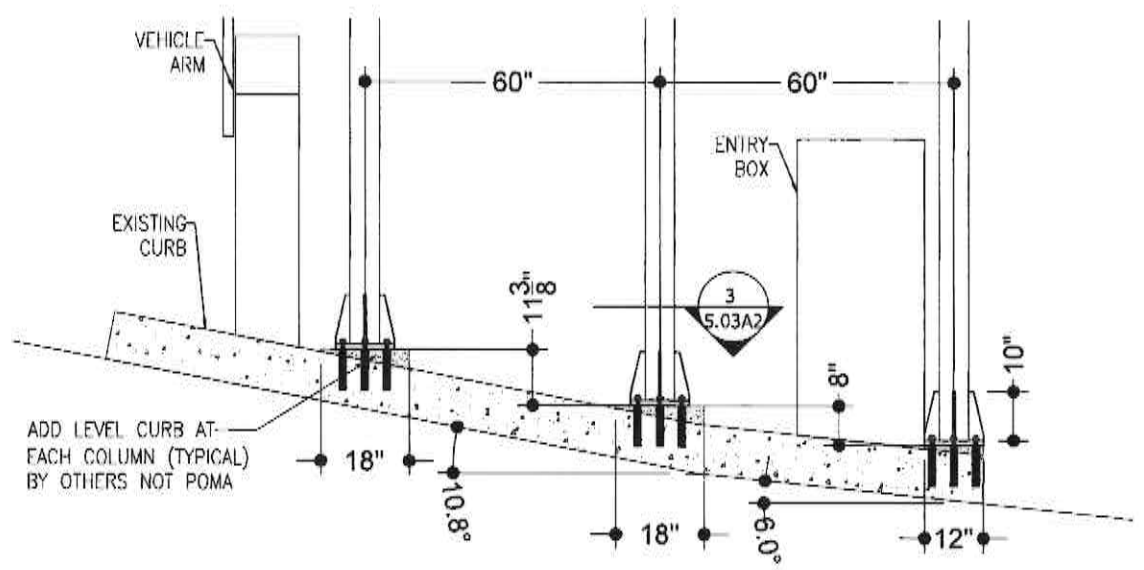
THIS DOCUMENT CONTAINS PROPRIETARY INFORMATION OF POMMA METALS CORP. IT IS THE PROPERTY OF POMMA METALS CORP. AND IS TO BE USED ONLY FOR THE PROJECT AND SITE SPECIFICALLY IDENTIFIED THEREIN. NO PART OF THIS DOCUMENT IS TO BE REPRODUCED, COPIED, OR TRANSMITTED IN ANY FORM OR BY ANY MEANS, ELECTRONIC OR MECHANICAL, INCLUDING PHOTOCOPYING, RECORDING, OR BY ANY INFORMATION STORAGE AND RETRIEVAL SYSTEM, WITHOUT THE WRITTEN PERMISSION OF POMMA METALS CORP. ALL RIGHTS RESERVED. © 2023 POMMA METALS CORP. ALL RIGHTS RESERVED. THIS DOCUMENT IS THE PROPERTY OF POMMA METALS CORP.



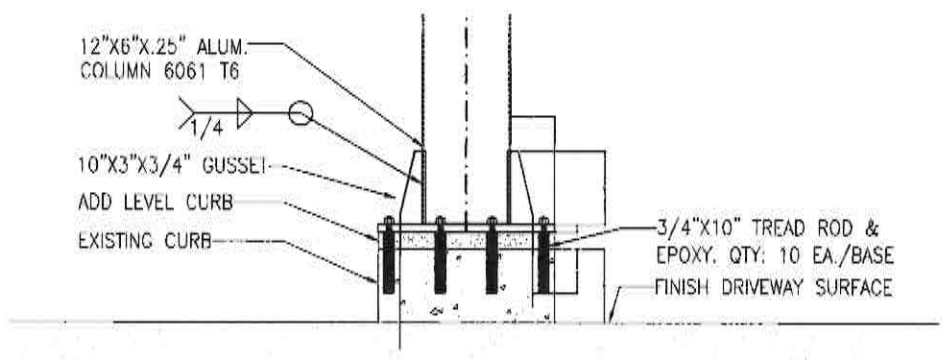
3 GLASS DETAIL
NTS



2 GLASS SUPPORT DETAIL
NTS



4 CANOPY 3 SUPPORT DETAIL
NTS



1 BASE SUPPORT COLUMN DETAIL
NTS

NOTE: NO INFORMATION PROVIDED ON CONSTRUCTION OR SUITABILITY OF CONCRETE STRUCTURE IT HAS BEEN ASSUMED THAT THE EOR HAS EVALUATED THE SUITABILITY OF THIS STRUCTURE TO SUPPORT THE LOADS ON THE CANOPY SYSTEM.

NO.	DATE	BY	DESCRIPTION

POMMA
DESIGN PROJECT MANAGEMENT AND INSTALLATION OF THE BEST ARCHITECTURAL METALS

POMMA METALS CORP.
www.pommetals.com
3000 SW 10th Ave, Pompano Beach, FL 33069
OFFICE: 754.781.0000 FAX: 754.781.0000

1. NO PART OF THESE DRAWINGS MAY BE REPRODUCED, IN WHOLE OR IN PART, OR TRANSMITTED IN ANY FORM OR BY ANY MEANS, ELECTRONIC OR MECHANICAL, INCLUDING PHOTOCOPYING, RECORDING, OR BY ANY INFORMATION STORAGE AND RETRIEVAL SYSTEM, WITHOUT THE WRITTEN PERMISSION OF POMMA METALS CORP.
2. POMMA IS PROVIDING THESE DRAWINGS FOR THE USE OF POMMA ONLY. POMMA DOES NOT WARRANT THE WORK. ALL DOCUMENTS REMAIN THE PROPERTY OF POMMA.

L. VILLAGGIO RECREATION
PROJECT NAME
ADDRESS
1455 OCEAN DR
MIAMI BEACH, FL 33139
CITY
COUNTY
CANONICAL, FL
CONTRACTOR
NATIONAL CONCRETE
SUBJECT
XXXX

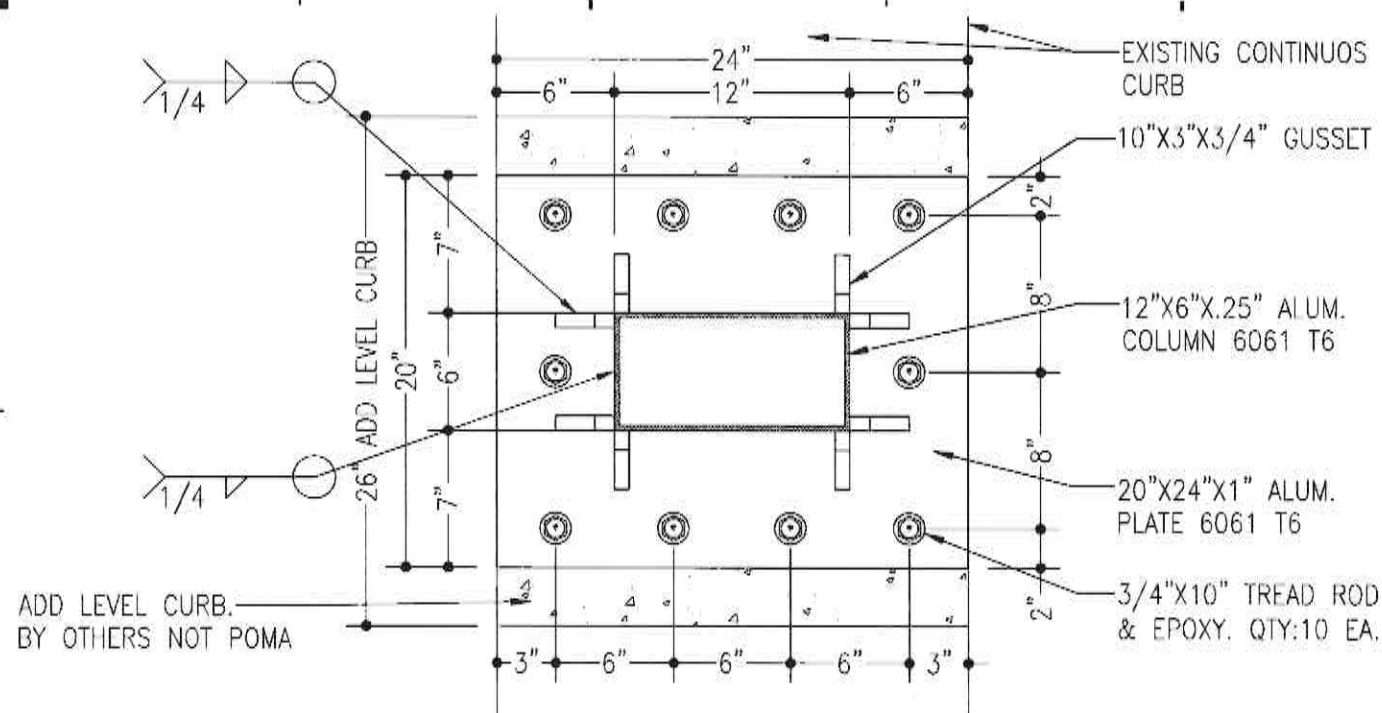
ENGINEER

Digitally signed by
Mohamed Fahmy
Date:
2023.04.04
07:04:11
-04'00'

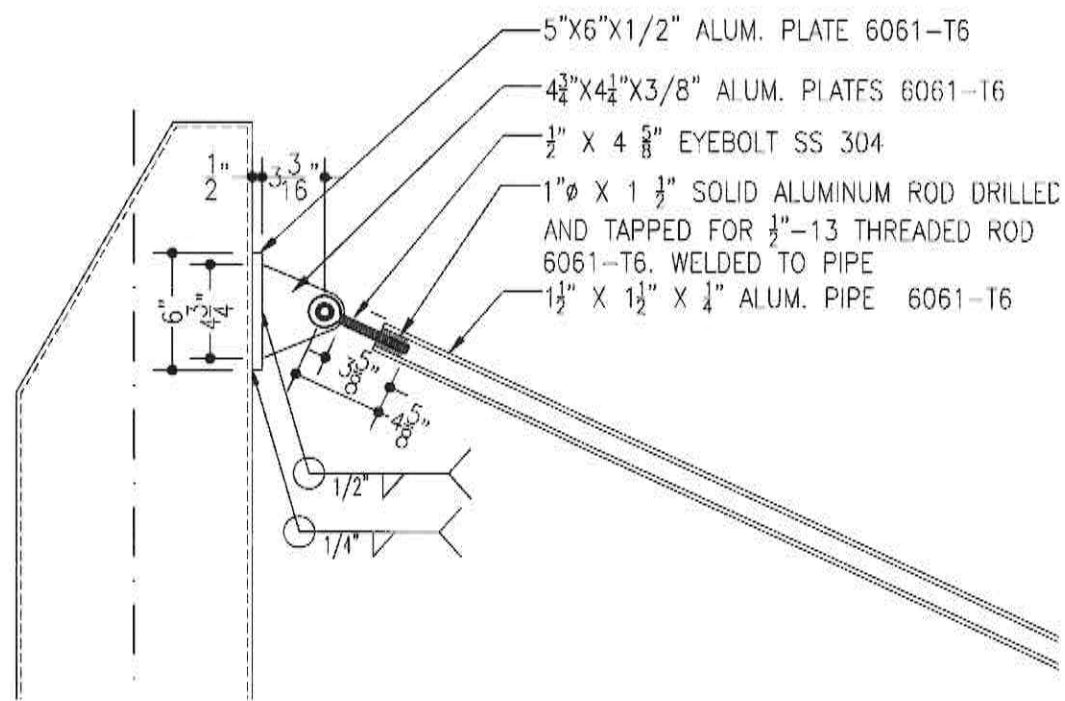
Job No.: M2-0063
Drawn by: ORF
Checked by: JP
Scale: X"=X'-X"
Sheet Size: 11 X 17
Date: 03/14/22

5.03A1
Sheet No.:

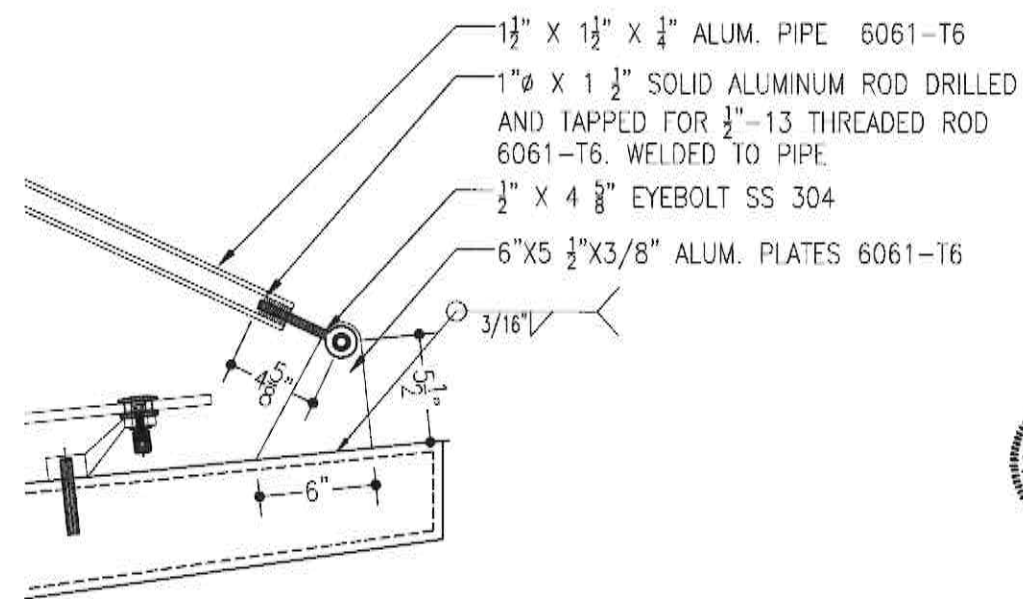
THIS DOCUMENT CONTAINS UNCLASSIFIED INFORMATION. IT IS THE PROPERTY OF POMA METALS CORP. AND IS TO BE USED ONLY FOR THE PROJECT AND SITE SPECIFICALLY IDENTIFIED HEREIN. ANY REPRODUCTION OR TRANSMISSION OF THIS DOCUMENT WITHOUT PERMISSION SHALL BE PROHIBITED UNDER 18 USC 793A.



3 CANOPY 3 BASE SECTION
NTS



1 CANOPY 3 TOP SUPPORT SECTION
NTS



2 CANOPY 3 BOTTOM SUPPORT SECTION
NTS

REVISIONS	
NO.	DESCRIPTION

DESIGN PROJECT MANAGEMENT AND INSTALLATION OF THE PRECAST STRUCTURAL DETAILS

POMA

POMA METALS CORP.
www.pomametals.com
2600 N.W. 107th Ave., Pompano Beach, FL 33069
OFFICE: (305) 969-7231 FAX: (305) 969-7232

1. NO PART OF THESE DRAWINGS MAY BE REPRODUCED, ALTERED, OR TRANSMITTED IN ANY FORM OR BY ANY MEANS, ELECTRONIC OR MECHANICAL, INCLUDING PHOTOCOPYING, RECORDING, OR BY ANY INFORMATION STORAGE AND RETRIEVAL SYSTEM, WITHOUT THE WRITTEN PERMISSION OF POMA METALS CORP. ALL RIGHTS RESERVED.
2. POMA IS PROVIDING THESE DESIGN SERVICES FOR THE USE BY POMA ONLY. POMA DOES NOT REPRESENT THE DESIGN OR THE DESIGNER'S DESIGN. THE LIABILITY OF POMA DOES NOT REPRESENT THE DESIGN OR THE DESIGNER'S DESIGN.

PROJECT NAME: IL VILLAGGIO RECREATION

ADDRESS: 1455 OCEAN DR. MIAMI BEACH, FL 33139

SUBMITTAL: C-NOPIES SD

CONTRACTOR: NATIONAL CONCRETE

PROJECT: JOHNSHIRE

XXXX

ENGINEER

Digitally signed by Mohamed Fahmy
Date: 2023.04.04 07:03:47 -04'00'

Job No.:	M2-0003
Drawn by:	ORF
Checked by:	JP
Scale:	X"=X'-X"
Sheet Size:	11X17
Date:	01/18/23
Sheet No.:	5.03A2