

BUS SHELTER COLLECTION

MIAMIBEACH

OUTFRONT
media

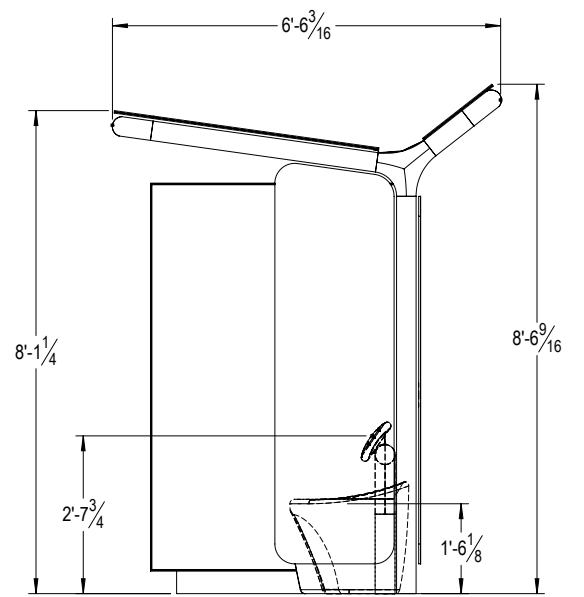
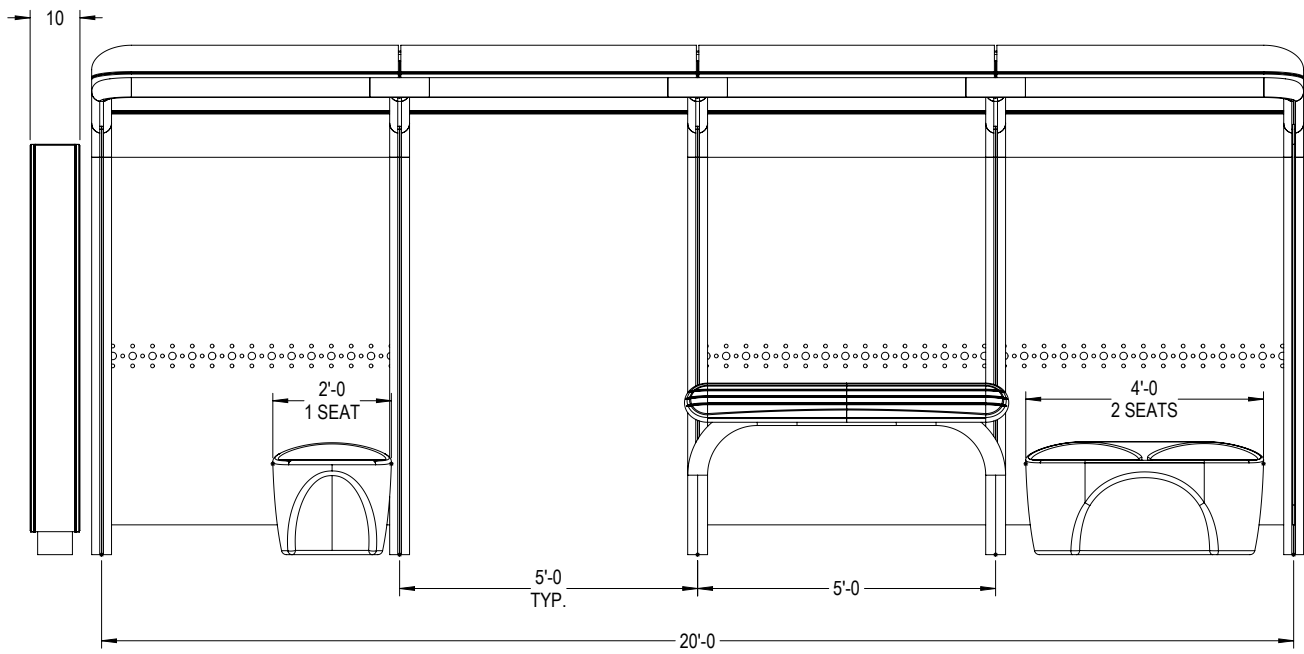
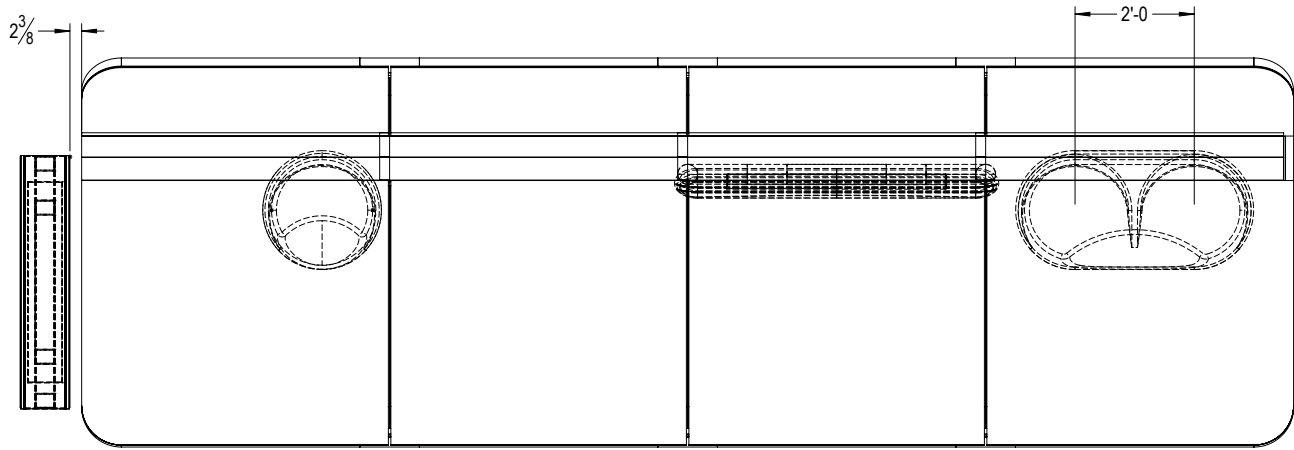
 POITRAS
INDUSTRIES

Washington Av.

20' X 7' Shelter

Lean bar, bench, BusPas technology and advertising dashboard



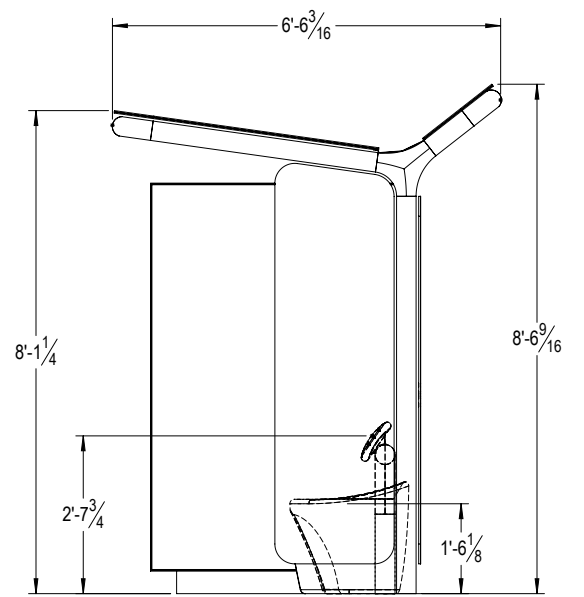
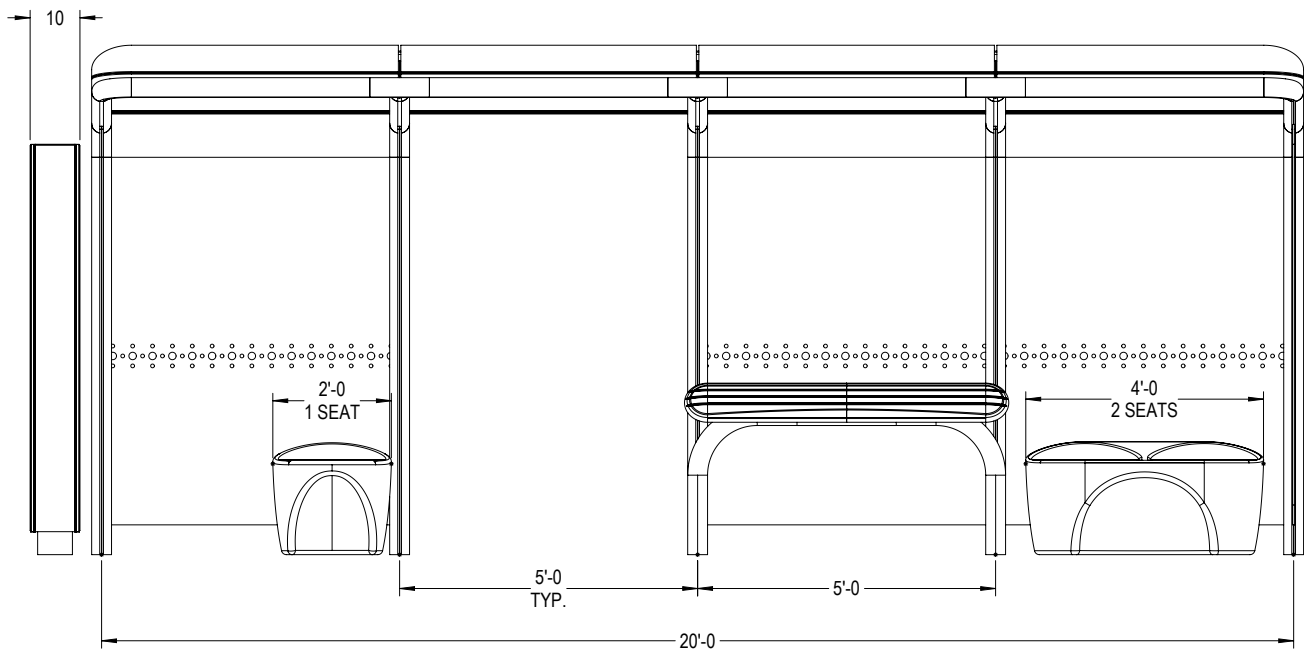
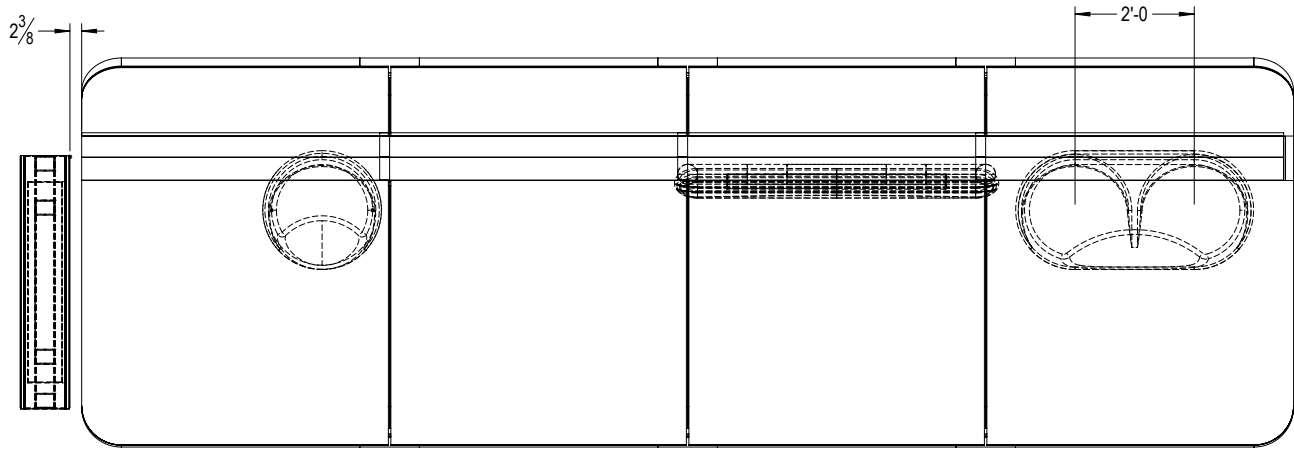


Collins Av.

20' X 7' Shelter

Lean bar, bench and advertising dashboard





Convention Center Drive

10' X 7' Shelter

Bench and advertising dashboard



Convention Center Drive

10' X 7' Shelter

Bench, BusPas technology and advertising dashboard



Convention Center Drive

10' X 7' Night rendering



Convention Center Drive

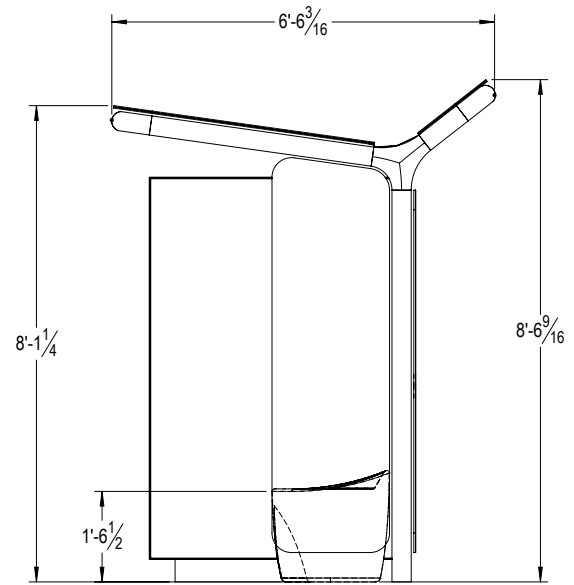
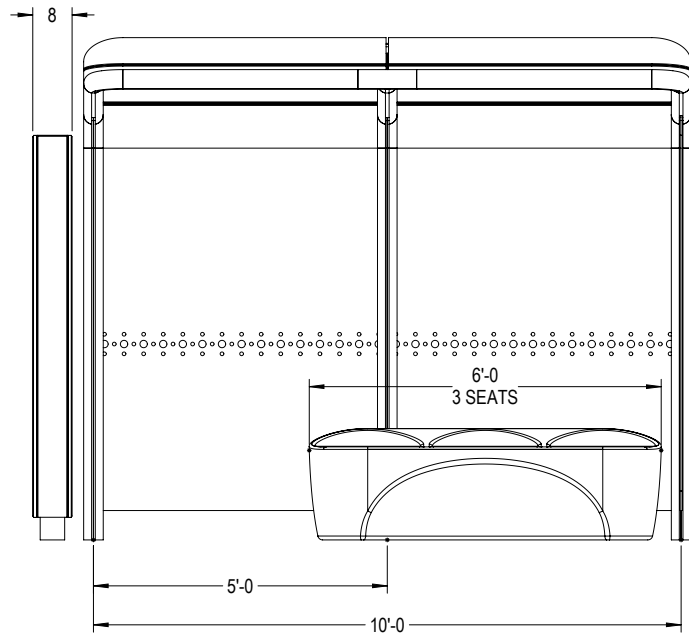
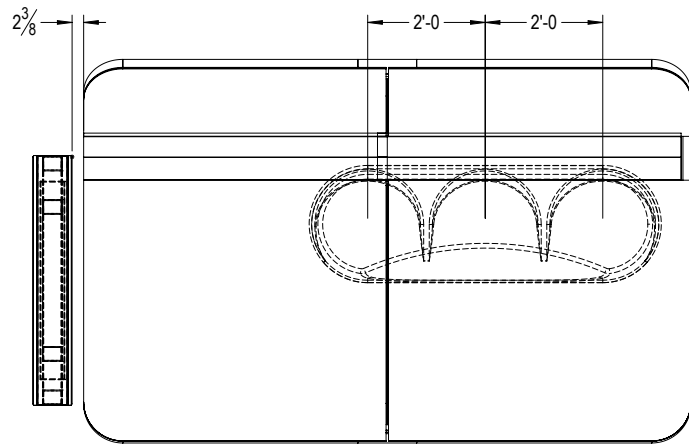
10' X 3' Narrow Night rendering



Convention Center Drive

BusPas technology

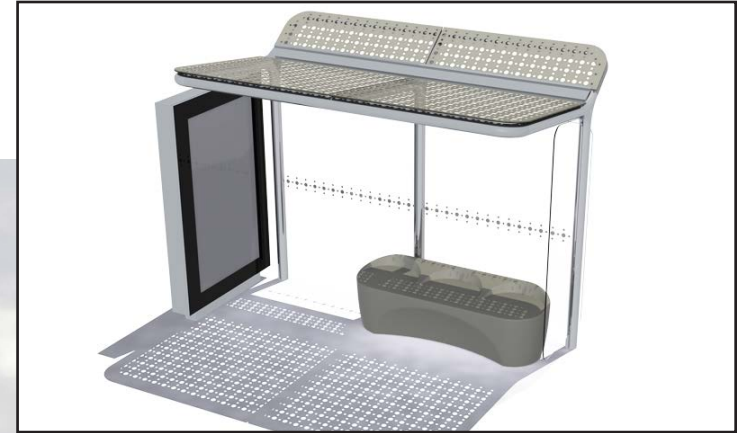


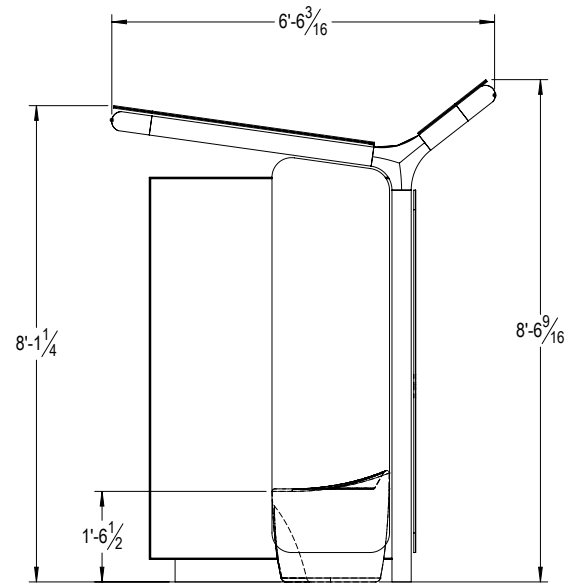
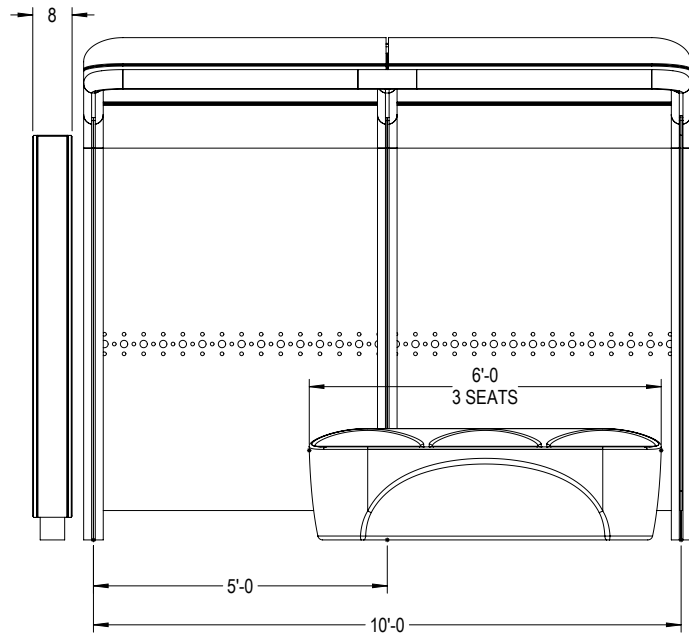
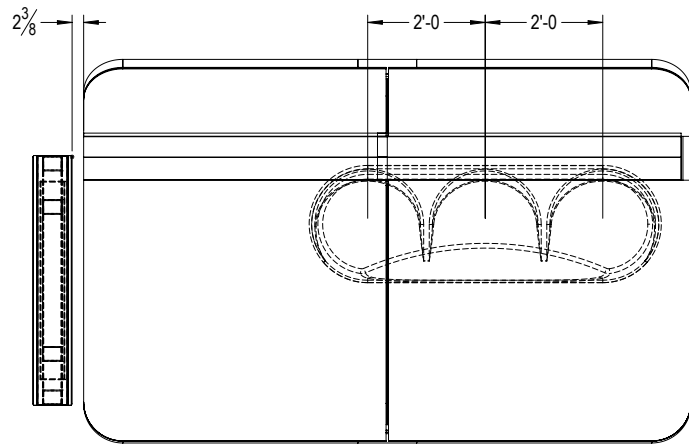


5th Street

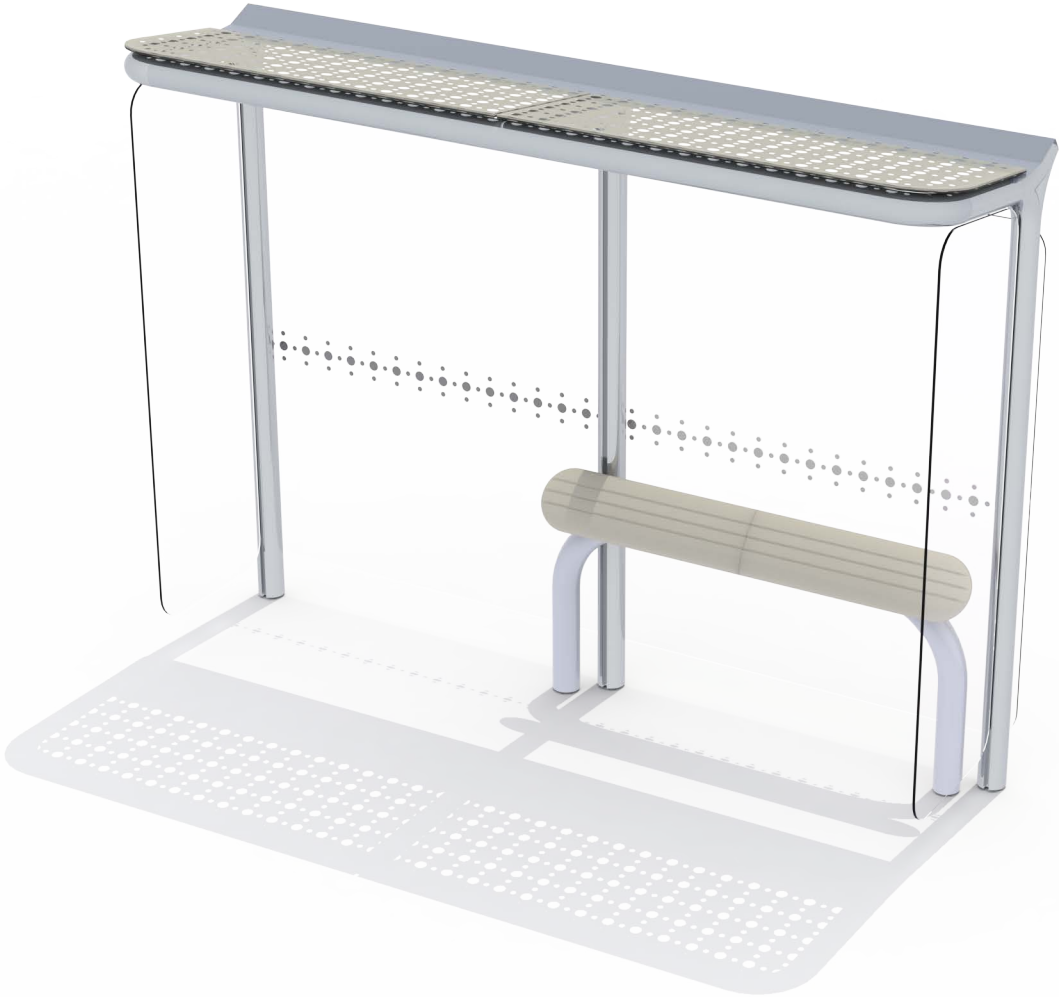
10' X 7' Shelter

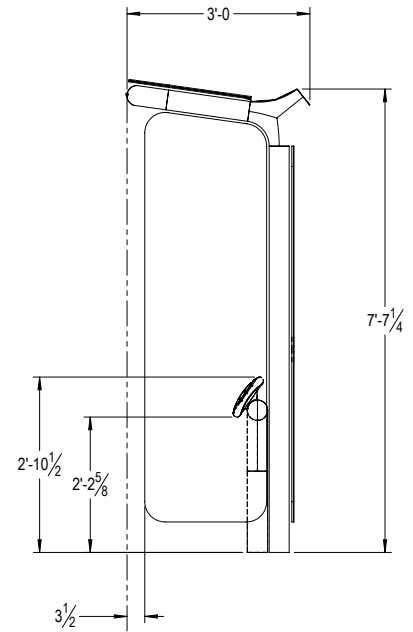
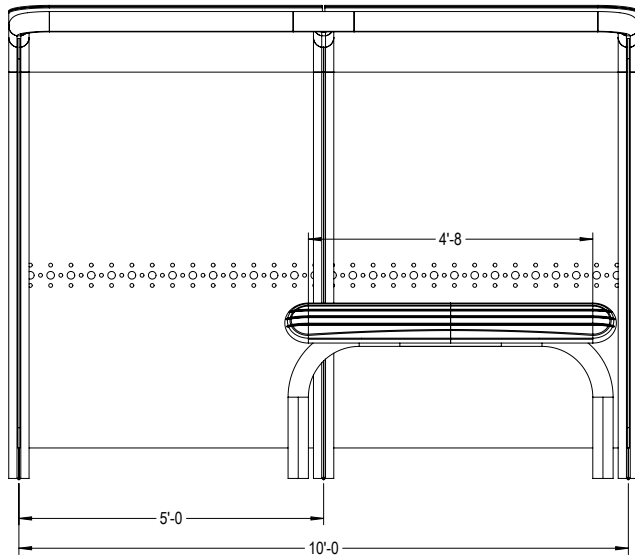
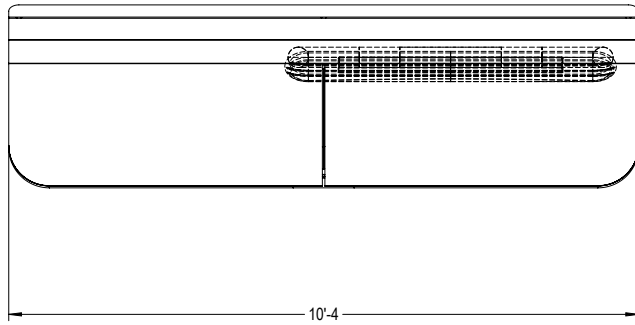
Bench, BusPas technology and advertising dashboard



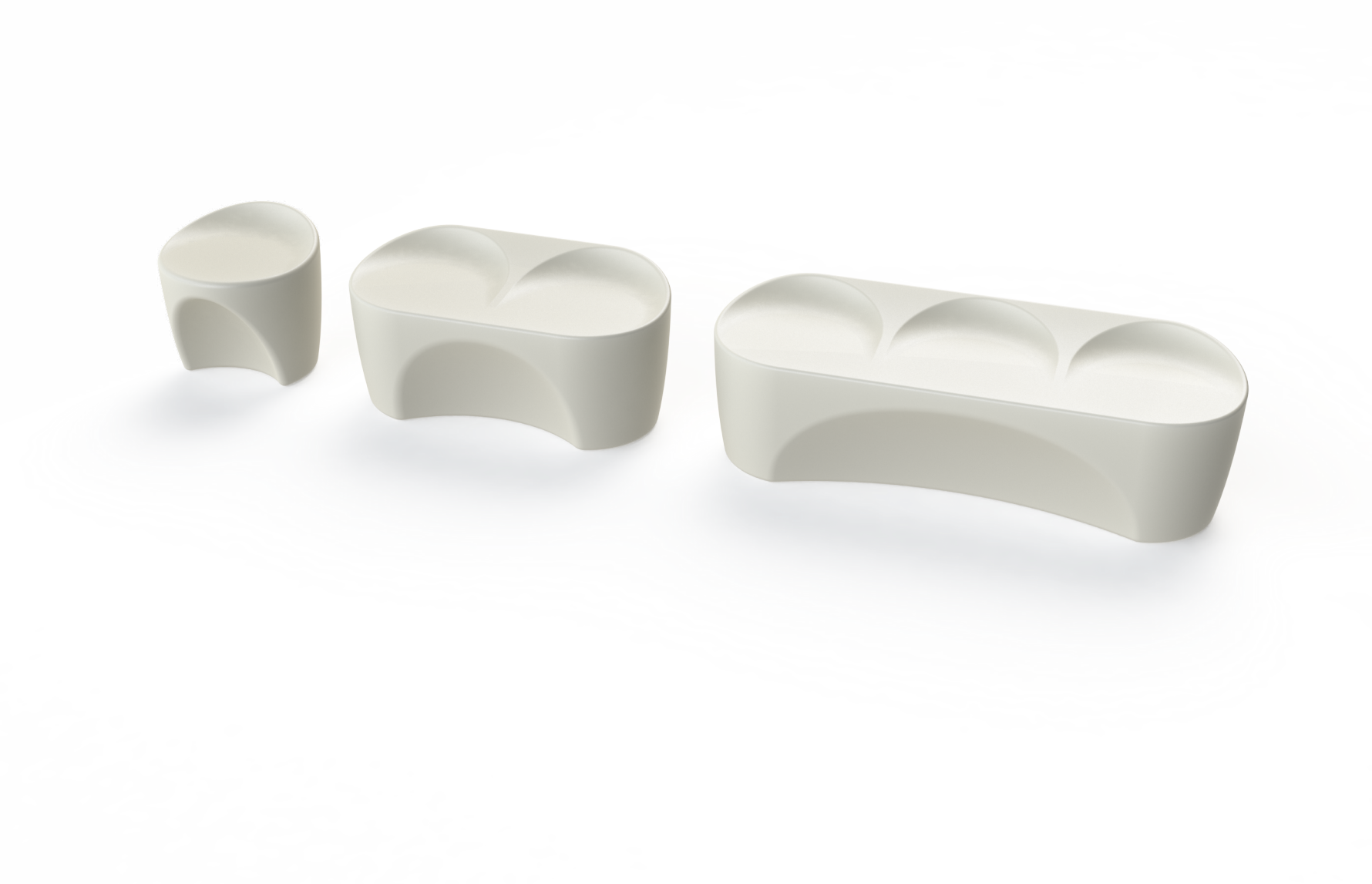


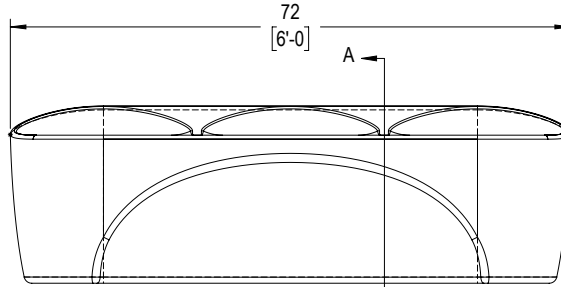
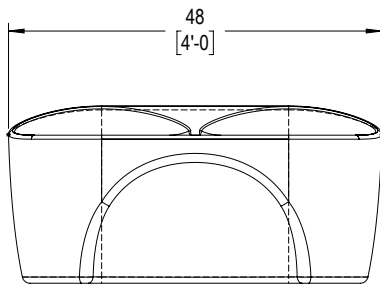
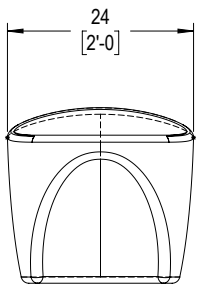
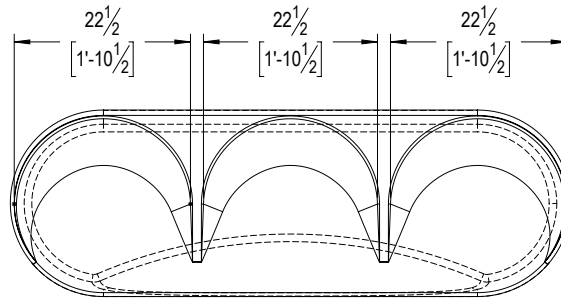
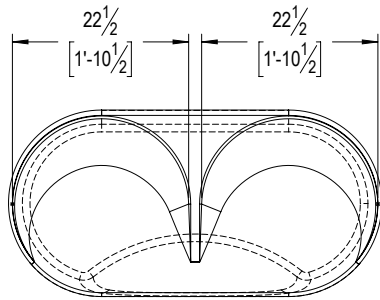
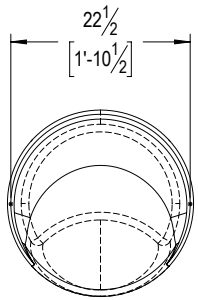
10' X 3' Narrow shelter





Benches

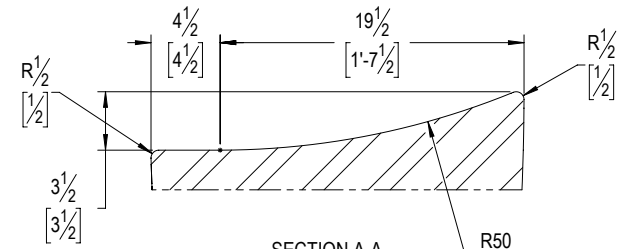




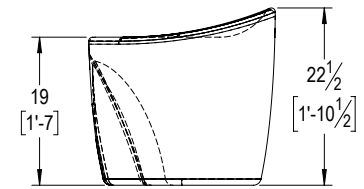
1 SEAT BENCH

2 SEAT BENCH

3 SEAT BENCH

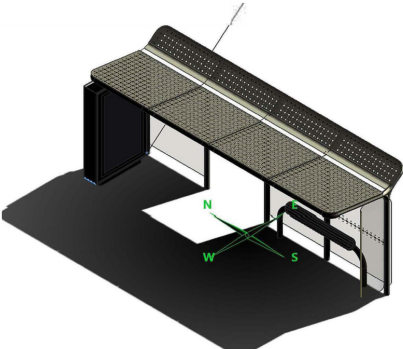


SECTION A-A
SCALE 1 : 8
SEAT DETAIL

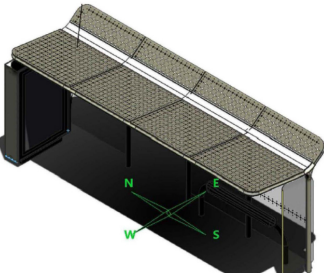


Shade study
August Miami

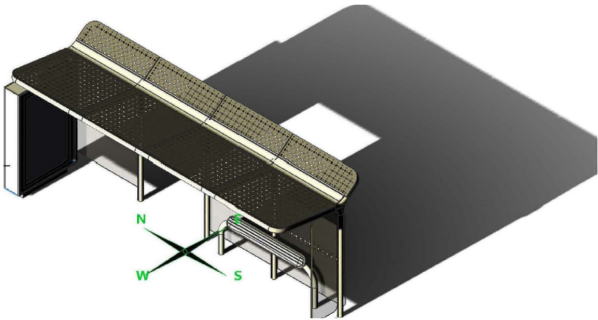
9 AM



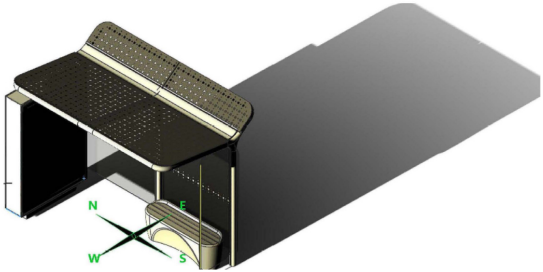
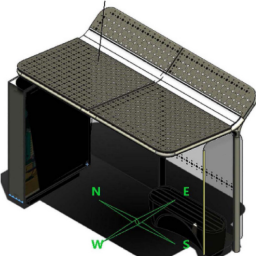
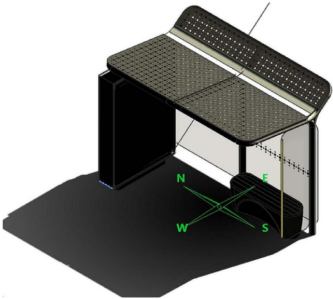
12 PM



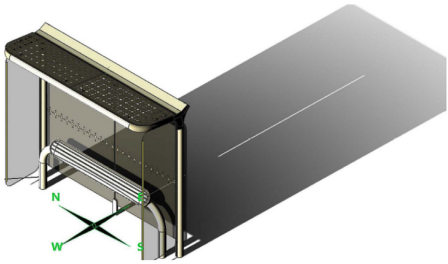
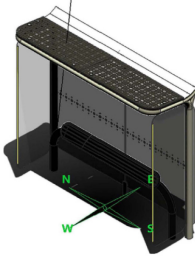
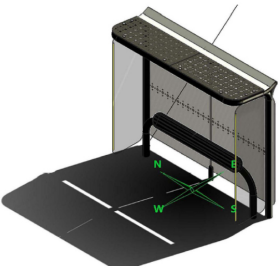
4 PM



SHELTER 20' x 7'



SHELTER 10' x 7'



SHELTER 10' x 3'

NOTE : Location used for shade study facing WEST on August 24th @ 25.788, -80.133