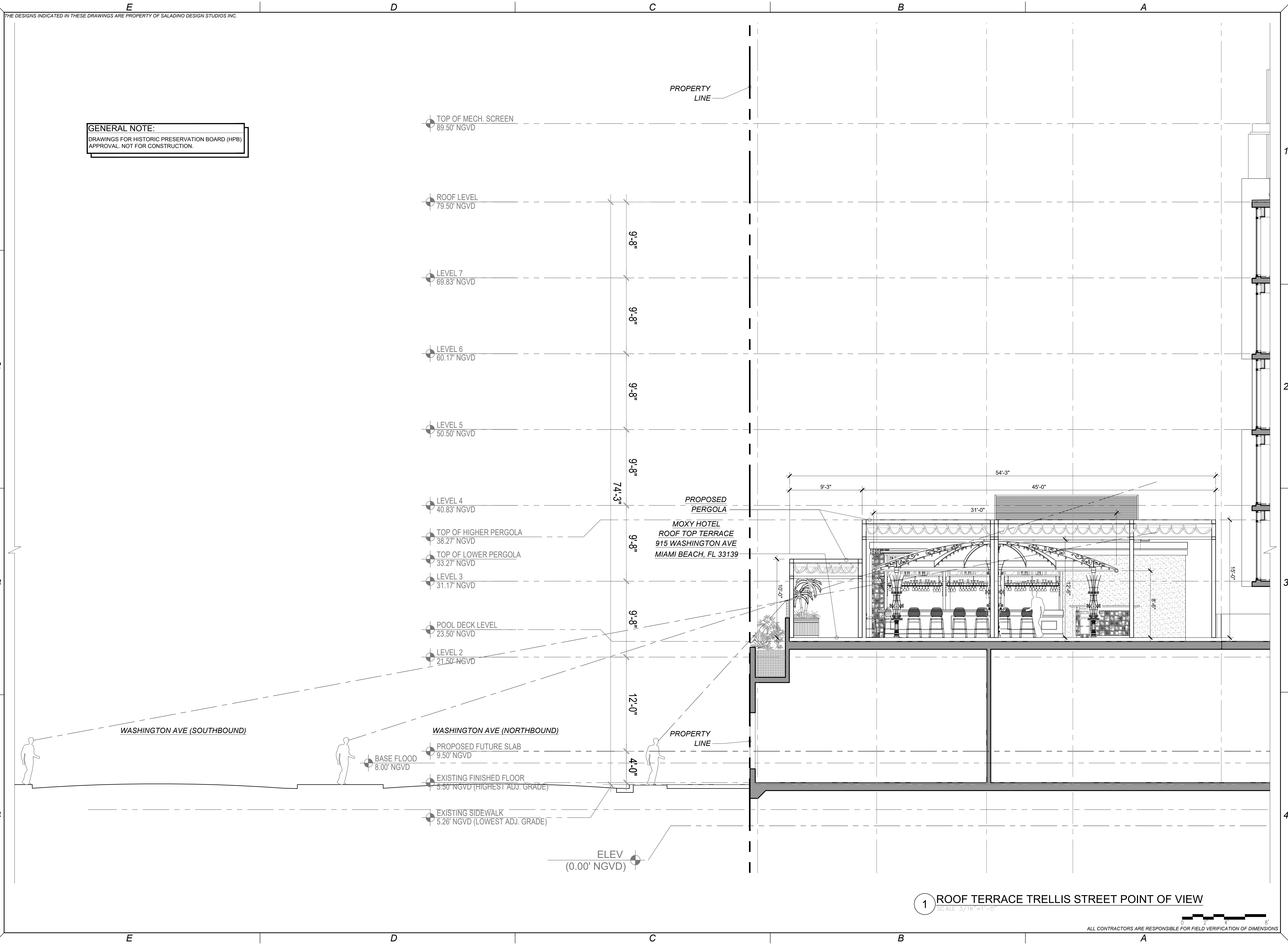


**GENERAL NOTE:**  
DRAWINGS FOR HISTORIC PRESERVATION BOARD (HPB) APPROVAL. NOT FOR CONSTRUCTION.



**1** ROOF TERRACE TRELLIS STREET POINT OF VIEW  
SCALE: 3/16" = 1'-0"

ALL CONTRACTORS ARE RESPONSIBLE FOR FIELD VERIFICATION OF DIMENSIONS

STAMP:

MANUEL REY  
REGISTERED PROFESSIONAL ARCHITECT  
STATE OF FLORIDA LICENSE NO. 8617  
AA#26003757 IB#26001842

SALADINO DESIGN STUDIOS  
2  
7265 NE 4ND AVE. SUITE 101  
MIAMI FL 33138  
786.953.7455  
WWW.SALADINODESIGN.COM

PROJECT:  
**MOXY HOTEL**  
915 WASHINGTON AVE  
MIAMI BEACH, FL 33139

OWNER:  
**LIGHTSTONE**  
460 PARK AVENUE  
NEW YORK, NY, 10022

M.E.P.:  
**ARPE ENGINEERING**  
2020 PONCE DE LEON BLVD, SUITE 1002  
CORAL GABLES, FL 33134  
PH: 305.444.9809

STRUCTURAL:  
**YHCE ENGINEERING**  
99 NW 27TH AVE  
MIAMI, FL 33125  
PH: 305.969.9423

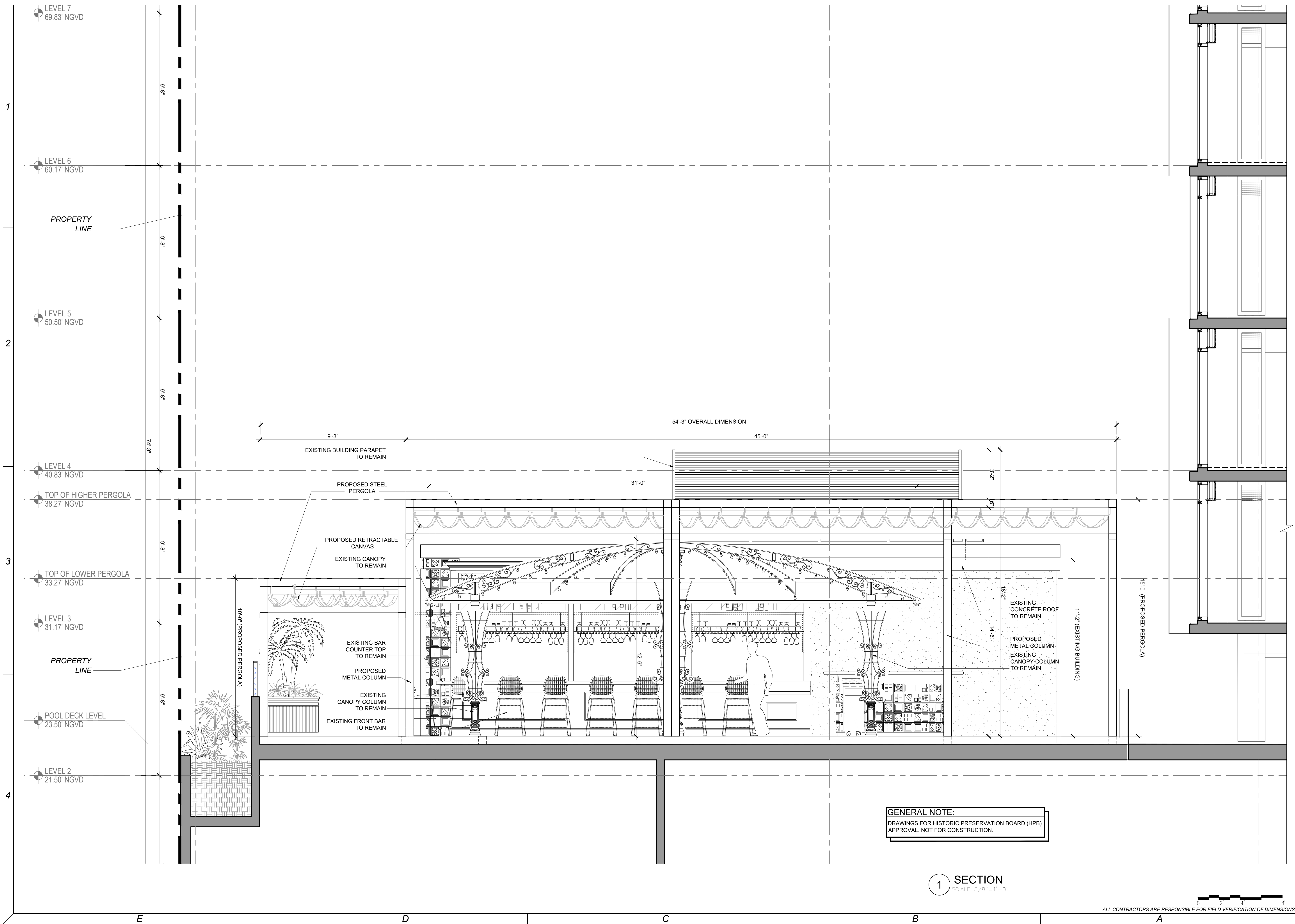
MTCI / PRIVATE PROVIDER:

GENERAL NOTES:  
ALL LEGAL RIGHTS, INCLUDING BUT NOT LIMITED TO, COPYRIGHT AND DESIGN, PATENT RIGHTS, IN THE DESIGN, ARRANGEMENTS, AND PLANS SHOWN ON THIS DOCUMENT ARE THE PROPERTY OF SALADINO DESIGN STUDIOS INC. AND WERE DEVELOPED FOR USE SOLELY ON THIS PROJECT. THEY MAY NOT BE USED OR REPRODUCED IN WHOLE OR IN PART, EXCEPT IN CONNECTION WITH THIS PROJECT, WITHOUT THE PRIOR WRITTEN CONSENT OF SDS, INC.

REVISIONS		
ISSUE	ISSUE DATE/FOR	

PROJECT No: 1915 DRAWN BY: CAPU  
SCALE: CHECKED BY: SS  
DATE:  
DRAWING:  
ROOF TERRACE TRELLIS STREET POINT OF VIEW

SHEET NO. **A0.06.1**  
HISTORIC PRESERVATION BOARD



1 SECTION  
SCALE 3/8" = 1'-0"

ALL CONTRACTORS ARE RESPONSIBLE FOR FIELD VERIFICATION OF DIMENSIONS

STAMP:

MANUEL REY  
REGISTERED PROFESSIONAL ARCHITECT  
STATE OF FLORIDA LICENSE NO. AR8617  
P.A.#26503757 B.F.#0501842

SALADINO DESIGN STUDIOS  
7265 NE 4ND AVE. SUITE 101  
MIAMI FL 33138  
786.953.7455  
WWW.SALADINODESIGN.COM

PROJECT:  
**MOXY HOTEL**  
915 WASHINGTON AVE  
MIAMI BEACH, FL 33139

OWNER:  
**LIGHTSTONE**  
460 PARK AVENUE  
NEW YORK, NY 10022

M.E.P.:  
**ARPE ENGINEERING**  
2020 PONCE DE LEON BLVD. SUITE 1002  
CORAL GABLES, FL 33134  
PH: 305.444.9809

STRUCTURAL:  
**YHCE ENGINEERING**  
99 NW 27TH AVE  
MIAMI, FL 33125  
PH: 305.969.9423

MTCI / PRIVATE PROVIDER:

GENERAL NOTES:  
ALL LEGAL RIGHTS, INCLUDING BUT NOT LIMITED TO, COPYRIGHT AND DESIGN PATENT RIGHTS, IN THE DESIGN, ARRANGEMENTS, AND PLANS SHOWN ON THIS DOCUMENT ARE THE PROPERTY OF SALADINO DESIGN STUDIOS, INC. AND WE DEVELOPED FOR USE SOLELY ON THIS PROJECT. THEY MAY NOT BE USED OR REUSED IN WHOLE OR IN PART, EXCEPT IN CONNECTION WITH THIS PROJECT, WITHOUT THE PRIOR WRITTEN CONSENT OF SDS, INC.

ISSUE	DATE/FOR

REVISIONS

PROJECT No. 1915 DRAWN BY: CAPU  
SCALE: CHECKED BY: SS  
DATE:  
DRAWING:  
SECTION

SHEET NO. **A0.06.3**  
HISTORIC PRESERVATION BOARD



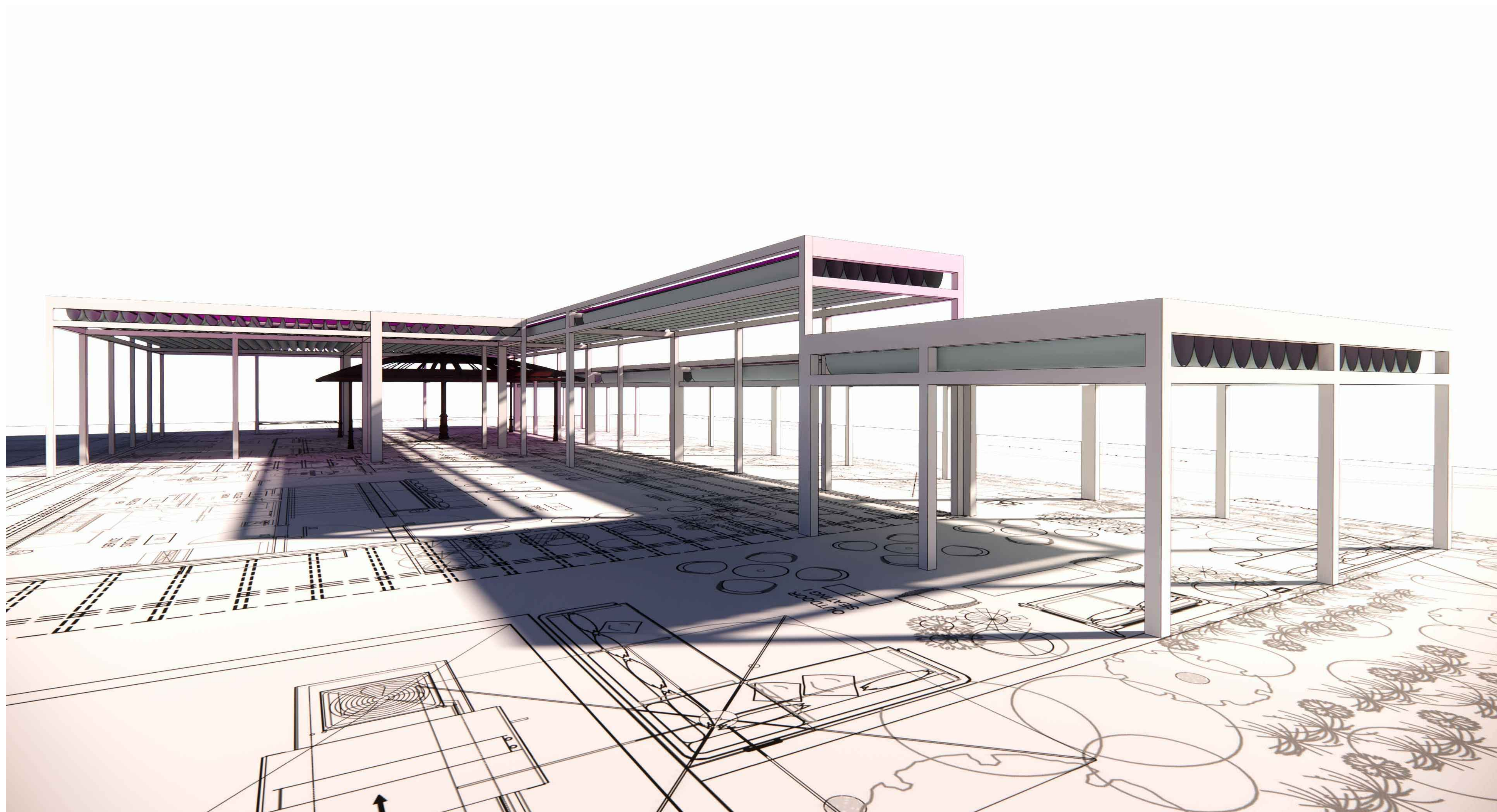
E

D

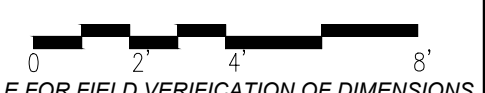
C

B

A



1 TRELIS 3D VIEW  
NOT TO SCALE



ALL CONTRACTORS ARE RESPONSIBLE FOR FIELD VERIFICATION OF DIMENSIONS

STAMP:

MANUEL REY  
REGISTERED PROFESSIONAL ARCHITECT  
STATE OF FLORIDA LICENSE NO. 8617  
AA#26003757 IB#26001842



7265 NE 4ND AVE. SUITE 101  
MIAMI FL 33138  
786.953.7455  
WWW.SALADINODESIGN.COM

PROJECT:  
**MOXY HOTEL**  
915 WASHINGTON AVE  
MIAMI BEACH, FL 33139

OWNER:  
**LIGHTSTONE**  
460 PARK AVENUE  
NEW YORK, NY, 10022

M.E.P.:  
**ARPE ENGINEERING**  
2020 PONCE DE LEON BLVD. SUITE 1002  
CORAL GABLES, FL 33134  
PH: 305.444.9809

STRUCTURAL:  
**YHCE ENGINEERING**  
99 NW 27TH AVE  
MIAMI, FL 33125  
PH: 305.969.9423

MTCI / PRIVATE PROVIDER:

**GENERAL NOTES:**  
ALL LEGAL RIGHTS, INCLUDING BUT NOT LIMITED TO, COPYRIGHT AND DESIGN, PATENT RIGHTS, IN THE DESIGN, ARRANGEMENTS AND PLANS SHOWN ON THIS DOCUMENT ARE THE PROPERTY OF SALADINO DESIGN STUDIOS INC. AND WERE DEVELOPED FOR USE SOLELY ON THIS PROJECT. THEY MAY NOT BE USED OR REPRODUCED IN WHOLE OR IN PART, EXCEPT IN CONNECTION WITH THIS PROJECT, WITHOUT THE PRIOR WRITTEN CONSENT OF SDS, INC.

REVISIONS		
ISSUE	ISSUE DATE/FOR	

PROJECT No: 1915 DRAWN BY: CAPU  
SCALE: CHECKED BY: SS  
DATE:

DRAWING:  
ROOF TRELIS  
3D VIEW

SHEET NO. **A0.07.1**  
HISTORIC PRESERVATION BOARD

E

D

C

B

A



**Pergola® Model:TECNIC ONE**

Larger Retractable Patio & Deck Awning

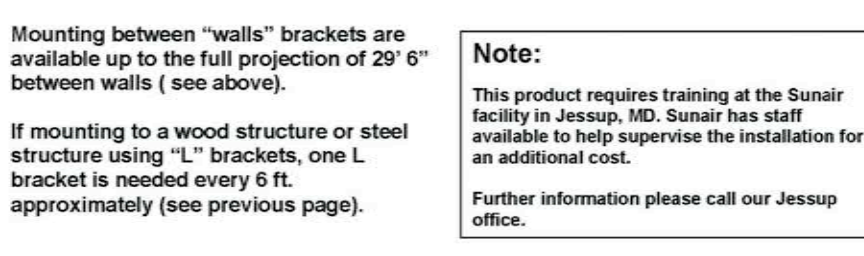
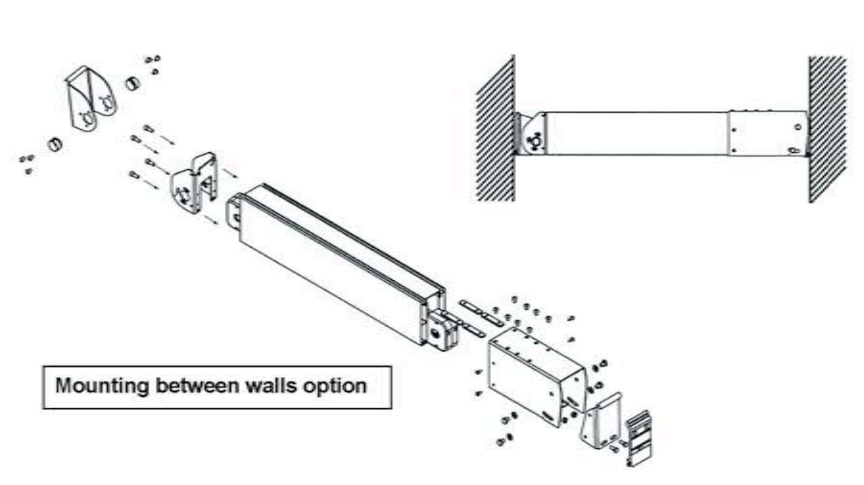
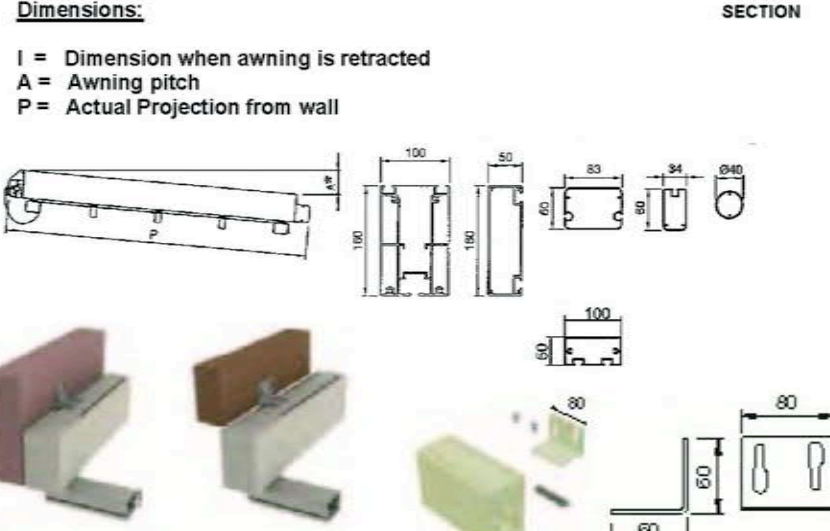
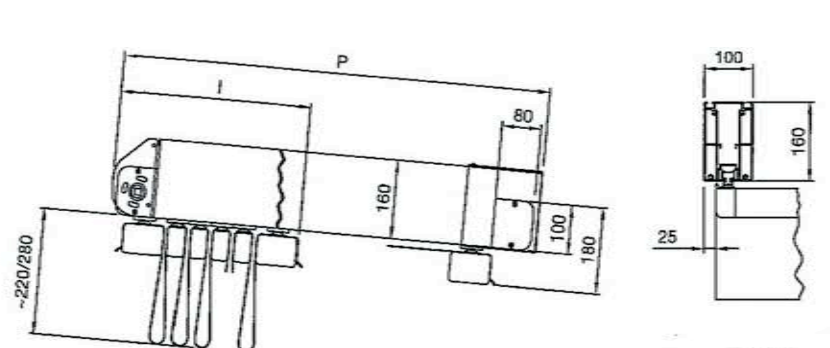
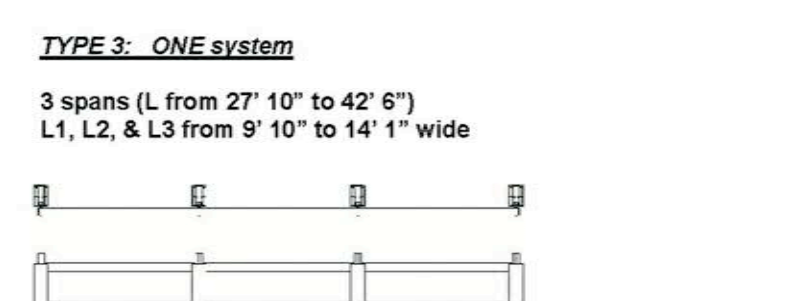
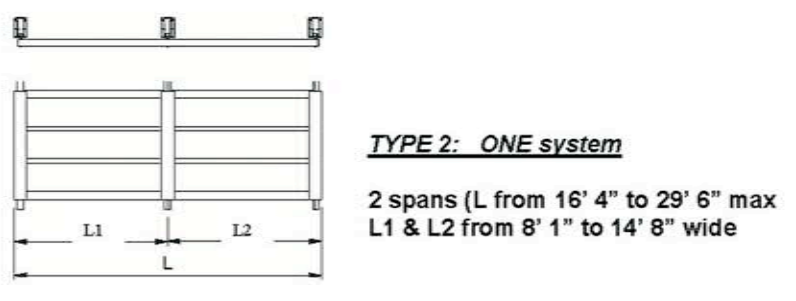
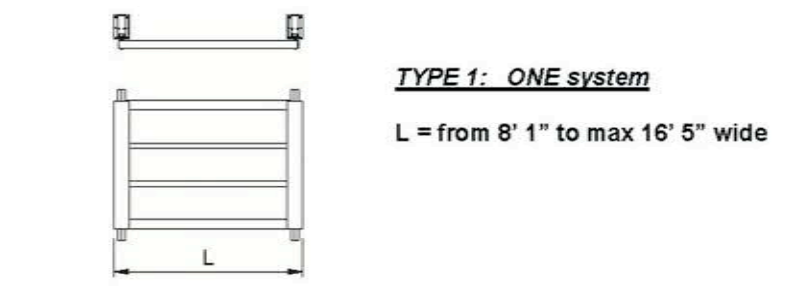


- PRODUCT FEATURES:**
- This Pergola® type mounts between walls, or underneath an existing trellis structure
  - Protects against sun, rain,
  - Keeps deck and patio cool
  - Can cover small to larger patio areas
  - Great for restaurant dining areas and large residential patios
  - Heavy duty all aluminum frame
  - Manually operated up to 288 sq. ft. size as a Type 1.
  - Motorization required on larger sizes
  - Motorized with safety box
  - Optional hood system recommended
  - Integrated gutter optional

Pergola® TECNIC ONE is the stronger heavier version in the Technic line, and is utilized on special applications either mounted between walls or under wood trellis structures. This model offers the convenience of a retractable awning, yet the comfort and durability of a stationary awning. Now you can utilize your patio area during fierce mid-day sun and rain. This Pergola® system is great for restaurant and residential patio areas. Larger widths can be covered by coupling multiple frame beams together, while the fabric remains in one piece.

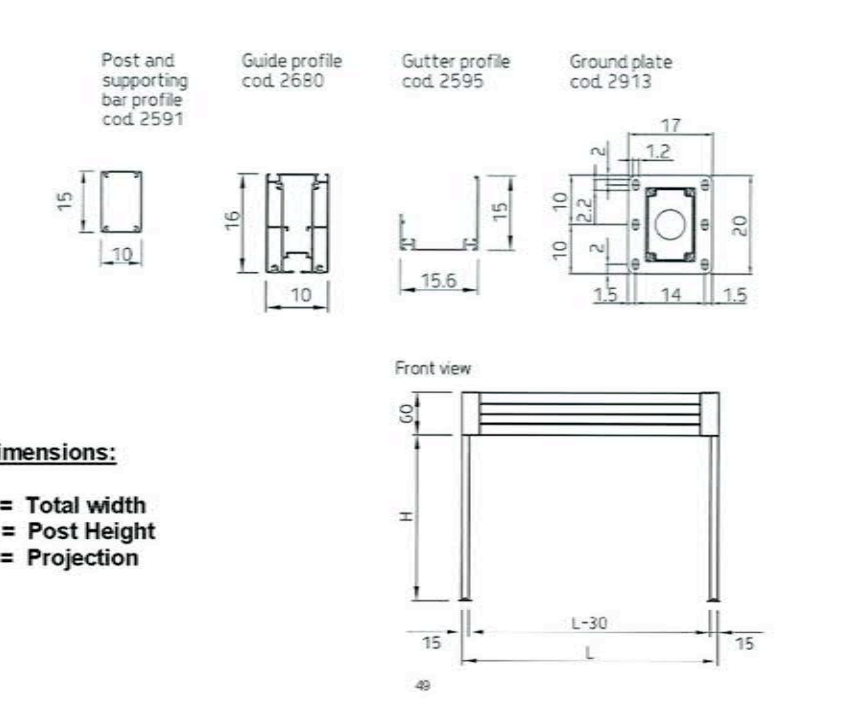
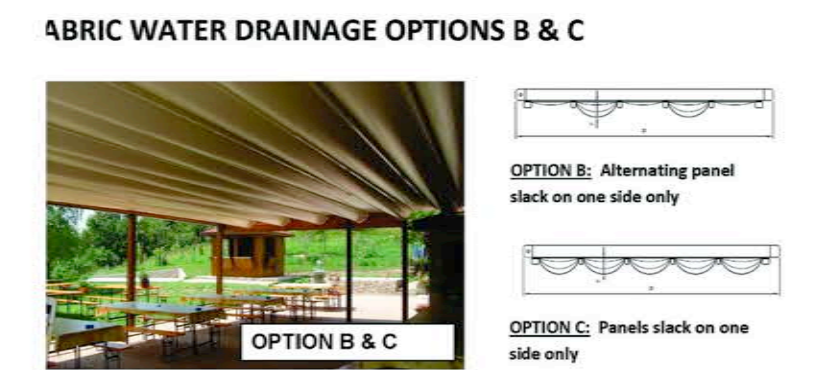
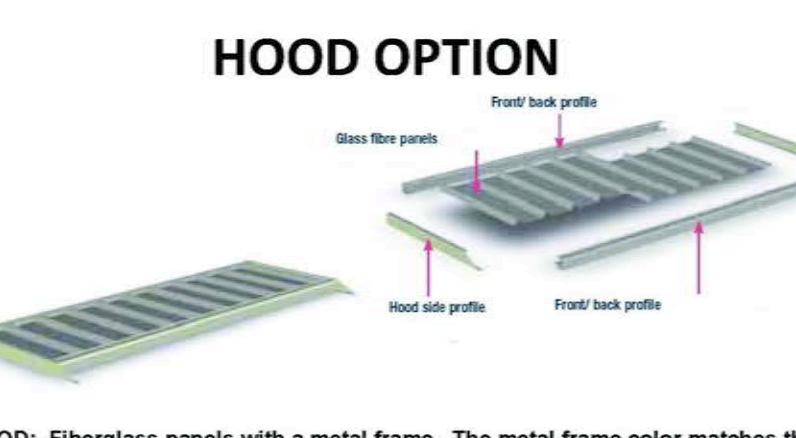
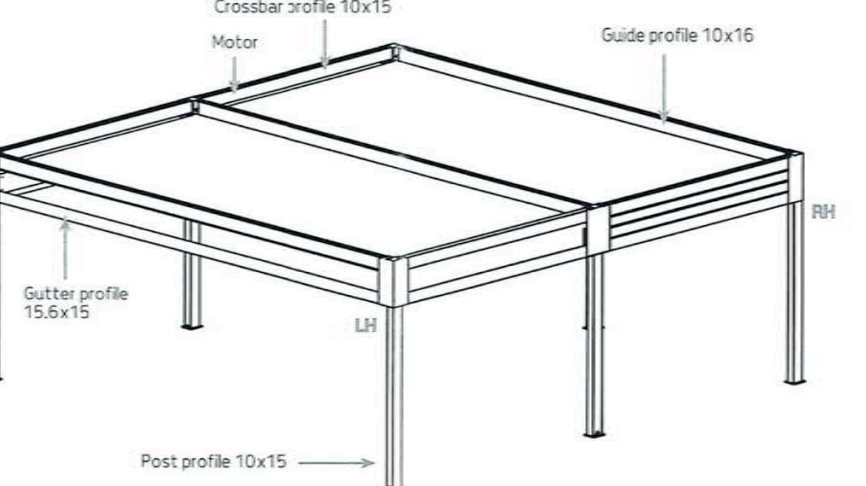
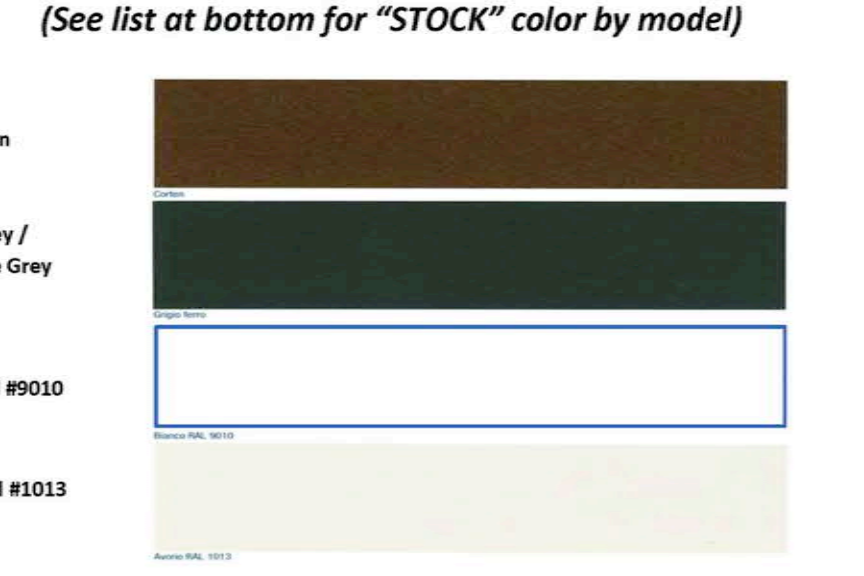
MODEL: TECNIC ONE	Standard Frame Color	Standard Widths	Standard Projections	Recommended Application	Fabric	Options
	Anthracite, Grey, BS Above 25' 2" also anodized silver	Max 14 ft. with two beams and 42" 2" wide	Up to 29" projection Between walls and projection	Restaurants, Large Residential Patios	Precoat 602	Roll Screens, Heaters, Lights
	White, BS Cream, BS & Custom colors also available	Max 14 ft. with two beams and 42" 2" wide	Up to 29" projection Between walls and projection	Restaurants, Large Residential Patios	Optional: Precoat 602 & 302, BS 88 & 92	

- General:** The Pergola® Tecnico ONE terrace awning is designed for restaurants, cafes and large residential terraces. The one system is permanent sun-shading frame system with a retractable fabric. The Tecnico One opens and closes by means of a manual gear or tubular motor. Multiple beams can be added together for wider widths with fabric in one piece. Maximum size available with 4 beams is 42' 2" wide x 29' 2" projection.
- The fabric:** Precoat 602 is a waterproof fabric PVC fire-resistant Class 2, heat-sealed to provide higher water-proof quality.
- Motor:** The Pergola® Tecnico One is operated by a Somfy ALTUS radio 110v tubular motor with a control box. Either an LT50 or LT60 motor is used depending on the size of the unit. Somfy electronic controls are available as an option. A Manual The manual version is available in "single open" Type 1 versions up to 288 sq. ft. size or 25 sq. meters. The gear is a fast 4.4:1 gear for efficiency.



**ALUMINUM FRAME COLORS**

(See list at bottom for "STOCK" color by model)



**General Notes**

SHADE FLA LIVE OUTDOORS - STAY SHADED

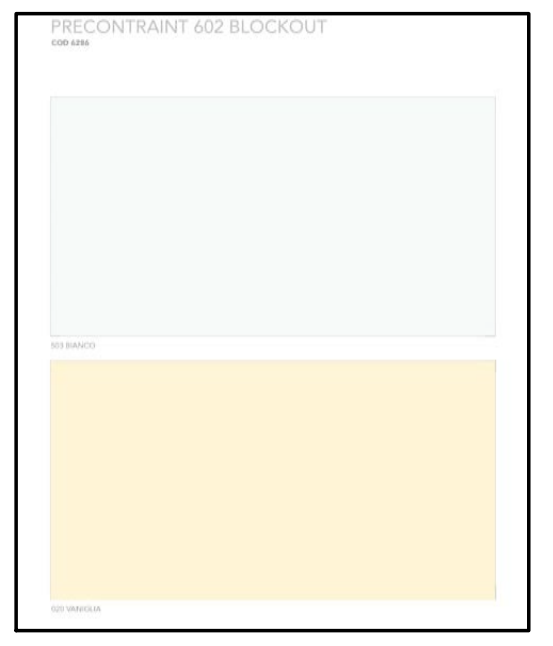
No.	Revision/Issue	Date

Project Name and Address

Project Name and Address

Project Name and Address

Project Name and Address



3 CANVAS PHOTO  
NOT TO SCALE

2 CANVAS COLOR  
NOT TO SCALE

**PRECONTRAIT 602 BLOCKOUT**  
COD 6286

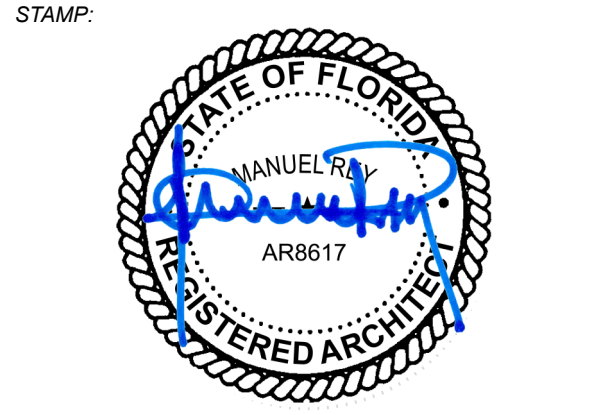
	IT	EN
Filato / Yarn / Garn / Fil	ordito: poliestere 1100 Dtex trama: poliestere 1100 Dtex	warp: polyester 1100 Dtex weft: polyester 1100 Dtex
Spalmatura / Coating / Beschichtung / Enduction	PVC	PVC
Costruzione / Construction / Einstellung / Contexture	ordito: 8 fili/cm trama: 8 fili/cm	warp: 8 yarns/cm weft: 8 yarns/cm
Spessore / Thickness / Stärke / Epaisseur	0,62 mm	0,62 mm
Peso tessuto / Weight / Gewicht / Poids (EN ISO 2286-2)	ca 750 g/m <sup>2</sup>	ca 750 g/m <sup>2</sup>
Ignifugazione Flammability Entflammbarkeit Ignifugation	CL2 secondo le norme italiane RF 1/75 e 3/77	M2 BS 7837 NFP 92-507
Finissaggio / Finishing / Schlusssack / Finition	laccato lucido sui 2 lati impermeabile	Both side high-glossy lacquered water proof
Resistenza alla trazione Breaking strength Reisskraft Résistance à la traction (EN ISO 1421)	ordito: ca 230 DaN/5 cm trama: ca 220 DaN/5 cm	warp: ca 230 DaN/5 cm weft: ca 220 DaN/5 cm
Resistenza allo strappo Tear strength Weiterreißfestigkeit Résistance à la déchirure (DIN 53363)	ordito: ca 20 DaN trama: ca 20 DaN	warp: ca 20 DaN weft: ca 20 DaN
Resistenza alla luce Light fastness Lichtechtheit Tenue à la lumière (XENON TEST ISO 105-B02)	livello 8/8	level 8/8
Resistenza alle temperature Resistance to temperatures Temperaturbeständigkeit Résistance à la température	+70°C / -30°C	+70°C / -30°C
Aderenza / Adhesion / Haftung / Adhärence (EN ISO 2411)	ca 9 DaN/5 cm	ca 9 DaN/5 cm
Disponibilità Availability Verfügbarkeit Disponibilitè sur stock	standard	on stock
Altezza del tessuto / Roll width / Breite / Laize	267 cm	267 cm
Lunghezza rotolo / Roll length / Rollenlänge / Longueur de la pièce	ca 50 m ca 300 m	ca 50 m ca 300 m

4 TRELLIS SPECS  
NOT TO SCALE

1 CANVAS SPECS  
NOT TO SCALE



ALL CONTRACTORS ARE RESPONSIBLE FOR FIELD VERIFICATION OF DIMENSIONS



MANUEL REY  
REGISTERED PROFESSIONAL ARCHITECT  
STATE OF FLORIDA LICENSE No. 9517  
A#R0003752 B#R0001942



7265 NE 4ND AVE, SUITE 101  
MIAMI FL 33138  
786.953.7455  
WWW.SALADINODESIGN.COM

PROJECT: **MOXY HOTEL**  
915 WASHINGTON AVE  
MIAMI BEACH, FL 33139

OWNER: **LIGHTSTONE**  
480 PARK AVENUE  
NEW YORK, NY 10022

M.E.P.: **ARPE ENGINEERING**  
2020 PONCE DE LEON BLVD, SUITE 1002  
CORAL GABLES, FL 33134  
PH: 305.444.9809

STRUCTURAL: **YHCE ENGINEERING**  
99 NW 27TH AVE  
MIAMI, FL 33125  
PH: 305.969.9423

MTCI / PRIVATE PROVIDER:

**GENERAL NOTES:**  
ALL LEGAL RIGHTS, INCLUDING BUT NOT LIMITED TO, COPYRIGHT AND DESIGN PATENT RIGHTS, IN THE DESIGN, ARRANGEMENTS, AND PLANS SHOWN ON THIS DOCUMENT ARE THE PROPERTY OF SALADINO DESIGN STUDIOS, INC. AND WERE DEVELOPED FOR USE SOLELY ON THIS PROJECT. THEY MAY NOT BE USED OR REPRODUCED IN WHOLE OR IN PART, EXCEPT IN CONNECTION WITH THIS PROJECT, WITHOUT THE PRIOR WRITTEN CONSENT OF SDS, INC.

REVISIONS

ISSUE	ISSUE DATE/FOR

PROJECT No: 1915 DRAWN BY: CAPU  
SCALE: CHECKED BY: SS  
DATE: \_\_\_\_\_  
DRAWING: \_\_\_\_\_

PROJECT: **ROOF TRELLIS SPECS**

SHEET No: **A0.07.2**  
HISTORIC PRESERVATION BOARD




THE DESIGNS INDICATED IN THESE DRAWINGS ARE PROPERTY OF SALADINO DESIGN STUDIOS INC.




1 NORTHWEST SIDE STREET VIEW OF ROOF TERRACE  
SCALE: N.T.S.

ALL CONTRACTORS ARE RESPONSIBLE FOR FIELD VERIFICATION OF DIMENSIONS

STAMP:



MANUEL REY  
REGISTERED PROFESSIONAL ARCHITECT  
STATE OF FLORIDA LICENSE NO. 8617  
AA#0000707 - RP#0001642



SALADINO DESIGN STUDIOS  
7265 NE 4ND AVE, SUITE 101  
MIAMI, FL 33138  
786.953.7455  
WWW.SALADINODESIGN.COM

PROJECT:  
**MOXY HOTEL**  
915 WASHINGTON AVE  
MIAMI BEACH, FL 33139

OWNER:  
**LIGHTSTONE**  
460 PARK AVENUE  
NEW YORK, NY, 10022

M.E.P.:  
**ARPE ENGINEERING**  
2020 PONCE DE LEON BLVD, SUITE 1002  
CORAL GABLES, FL 33134  
PH: 305.444.9809

STRUCTURAL:  
**YHCE ENGINEERING**  
99 NW 27TH AVE  
MIAMI, FL 33125  
PH: 305.969.9423

MTCI / PRIVATE PROVIDER:

GENERAL NOTES:  
ALL LEGAL RIGHTS, INCLUDING BUT NOT LIMITED TO, COPYRIGHT AND DESIGN PATENT RIGHTS, IN THE DESIGN, ARRANGEMENTS, AND PLANS SHOWN ON THIS DOCUMENT ARE THE PROPERTY OF SALADINO DESIGN STUDIOS INC. AND WERE DEVELOPED FOR USE SOLELY ON THIS PROJECT. THEY MAY NOT BE USED OR REUSED IN WHOLE OR IN PART, EXCEPT IN CONNECTION WITH THIS PROJECT, WITHOUT THE PRIOR WRITTEN CONSENT OF SDS, INC.

REVISIONS

ISSUE	ISSUE DATE	FOR

PROJECT NO: 1915    DRAWN BY: CAPU  
SCALE:                    CHECKED BY: SS  
DATE:  
DRAWING:  
ROOF TERRACE STREET VIEW/RENDERING

SHEET NO. **A0.08.1**  
HISTORIC PRESERVATION BOARD



E THE DESIGNS INDICATED IN THESE DRAWINGS ARE PROPERTY OF SALADINO DESIGN STUDIOS INC.

D

C

B

A

1

2

3

4



1 **SOUTHWEST SIDE STREET VIEW OF ROOF TERRACE**  
SCALE: N.T.S.

ALL CONTRACTORS ARE RESPONSIBLE FOR FIELD VERIFICATION OF DIMENSIONS

STAMP:

MANUEL REY  
REGISTERED ARCHITECT  
STATE OF FLORIDA LICENSE NO. 8617  
AA#0000707 R#00001642

SALADINO DESIGN STUDIOS  
7265 NE 4ND AVE, SUITE 101  
MIAMI, FL 33138  
786.953.7455  
WWW.SALADINODESIGN.COM

PROJECT:  
**MOXY HOTEL**  
915 WASHINGTON AVE  
MIAMI BEACH, FL 33139

OWNER:  
**LIGHTSTONE**  
460 PARK AVENUE  
NEW YORK, NY, 10022

M.E.P.:  
**ARPE ENGINEERING**  
2020 PONCE DE LEON BLVD, SUITE 1002  
CORAL GABLES, FL 33134  
PH: 305.444.9809

STRUCTURAL:  
**YHCE ENGINEERING**  
99 NW 27TH AVE  
MIAMI, FL 33125  
PH: 305.969.9423

MTCI / PRIVATE PROVIDER:

GENERAL NOTES:  
ALL LEGAL RIGHTS, INCLUDING BUT NOT LIMITED TO, COPYRIGHT AND DESIGN PATENT RIGHTS, IN THE DESIGN, ARRANGEMENTS, AND PLANS SHOWN ON THIS DOCUMENT ARE THE PROPERTY OF SALADINO DESIGN STUDIOS INC. AND WERE DEVELOPED FOR USE SOLELY ON THIS PROJECT. THEY MAY NOT BE USED OR REUSED IN WHOLE OR IN PART, EXCEPT IN CONNECTION WITH THIS PROJECT, WITHOUT THE PRIOR WRITTEN CONSENT OF SDS, INC.

REVISIONS		
ISSUE	ISSUE DATE	FOR

PROJECT NO: 1915 DRAWN BY: CAPU  
SCALE: CHECKED BY: SS  
DATE:  
DRAWING:  
ROOF TERRACE STREET VIEW/RENDERING

SHEET NO. **A0.08.2**  
HISTORIC PRESERVATION BOARD

1

2

3

4

E

D

C

B

A

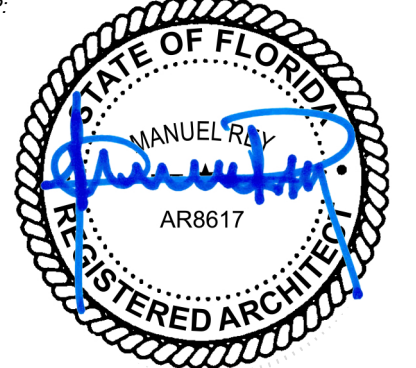


THE DESIGNS INDICATED IN THESE DRAWINGS ARE PROPERTY OF SALADINO DESIGN STUDIOS INC.



1 ROOFTOP VIEW  
SCALE: N.T.S.

ALL CONTRACTORS ARE RESPONSIBLE FOR FIELD VERIFICATION OF DIMENSIONS

STAMP:  
  
 MANUEL REY  
 REGISTERED PROFESSIONAL ARCHITECT  
 STATE OF FLORIDA LICENSE NO. 8617  
 AA#0000707 - RP#0001642

  
 SALADINO DESIGN STUDIOS  
 7265 NE 4ND AVE, SUITE 101  
 MIAMI, FL 33138  
 786.953.7455  
 WWW.SALADINODESIGN.COM

PROJECT:  
**MOXY HOTEL**  
 915 WASHINGTON AVE  
 MIAMI BEACH, FL 33139  
 OWNER:  
**LIGHTSTONE**  
 460 PARK AVENUE  
 NEW YORK, NY, 10022

M.E.P.:  
**ARPE ENGINEERING**  
 2020 PONCE DE LEON BLVD, SUITE 1002  
 CORAL GABLES, FL 33134  
 PH: 305.444.9809

STRUCTURAL:  
**YHCE ENGINEERING**  
 99 NW 27TH AVE  
 MIAMI, FL 33125  
 PH: 305.969.9423

MTCI / PRIVATE PROVIDER:

GENERAL NOTES:  
 ALL LEGAL RIGHTS, INCLUDING BUT NOT LIMITED TO, COPYRIGHT AND DESIGN PATENT RIGHTS, IN THE DESIGN, ARRANGEMENTS, AND PLANS SHOWN ON THIS DOCUMENT ARE THE PROPERTY OF SALADINO DESIGN STUDIOS INC. AND HERE DEVELOPED FOR USE SOLELY ON THIS PROJECT. THEY MAY NOT BE USED OR REUSED IN WHOLE OR IN PART, EXCEPT IN CONNECTION WITH THIS PROJECT, WITHOUT THE PRIOR WRITTEN CONSENT OF SDS, INC.

REVISIONS		
ISSUE	ISSUE DATE/FOR	

PROJECT No: 1915 DRAWN BY: CAPU  
 SCALE: CHECKED BY: SS  
 DATE:

DRAWING:  
 ROOF TERRACE  
 VIEW/RENDERING

SHEET NO. **A0.08.3**  
 HISTORIC PRESERVATION BOARD



E

D

C

B

A

THE DESIGNS INDICATED IN THESE DRAWINGS ARE PROPERTY OF SALADINO DESIGN STUDIOS INC.



2 PHOTO EXISTING CONDITIONS  
SCALE: N.T.S.



1 PHOTO EXISTING CONDITIONS  
SCALE: N.T.S.

0 2 4 6 8'

ALL CONTRACTORS ARE RESPONSIBLE FOR FIELD VERIFICATION OF DIMENSIONS

E

D

C

B

A

1

2

3

4

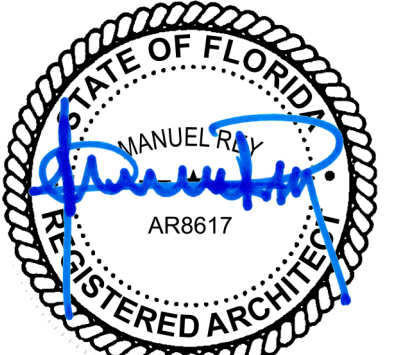
1

2

3

4

STAMP:



MANUEL REY  
REGISTERED PROFESSIONAL ARCHITECT  
STATE OF FLORIDA LICENSE NO. 8617  
A-440003757 / B-00001942



7265 NE 4ND AVE, SUITE 101  
MIAMI FL 33138  
786.953.7455  
WWW.SALADINODESIGN.COM

PROJECT:  
**MOXY HOTEL**  
915 WASHINGTON AVE  
MIAMI BEACH, FL 33139

OWNER:  
**LIGHTSTONE**  
480 PARK AVENUE  
NEW YORK, NY 10022

M.E.P.:  
**ARPE ENGINEERING**  
2020 PONCE DE LEON BLVD, SUITE 1002  
CORAL GABLES, FL 33134  
PH: 305.444.9809

STRUCTURAL:  
**YHCE ENGINEERING**  
99 NW 27TH AVE  
MIAMI, FL 33125  
PH: 305.969.9423

MTCI / PRIVATE PROVIDER:

GENERAL NOTES:  
ALL LEGAL RIGHTS, INCLUDING BUT NOT LIMITED TO, COPYRIGHT AND DESIGN PATENT RIGHTS, IN THE DESIGN, ARRANGEMENTS, AND PLANS SHOWN ON THIS DOCUMENT ARE THE PROPERTY OF SALADINO DESIGN STUDIOS INC., AND HERE DEVELOPED FOR USE SOLELY ON THIS PROJECT. THEY MAY NOT BE USED OR REUSED IN WHOLE OR IN PART, EXCEPT IN CONNECTION WITH THIS PROJECT, WITHOUT THE PRIOR WRITTEN CONSENT OF S.D.S. INC.

REVISIONS		
ISSUE	ISSUE DATE/FOR	

PROJECT NO: 1915 DRAWN BY: CAPU  
SCALE: CHECKED BY: SS  
DATE:

DRAWING:  
PHOTOS  
EXISTING CONDITIONS

SHEET NO. **A0.10.1**  
HISTORIC PRESERVATION BOARD



E

D

C

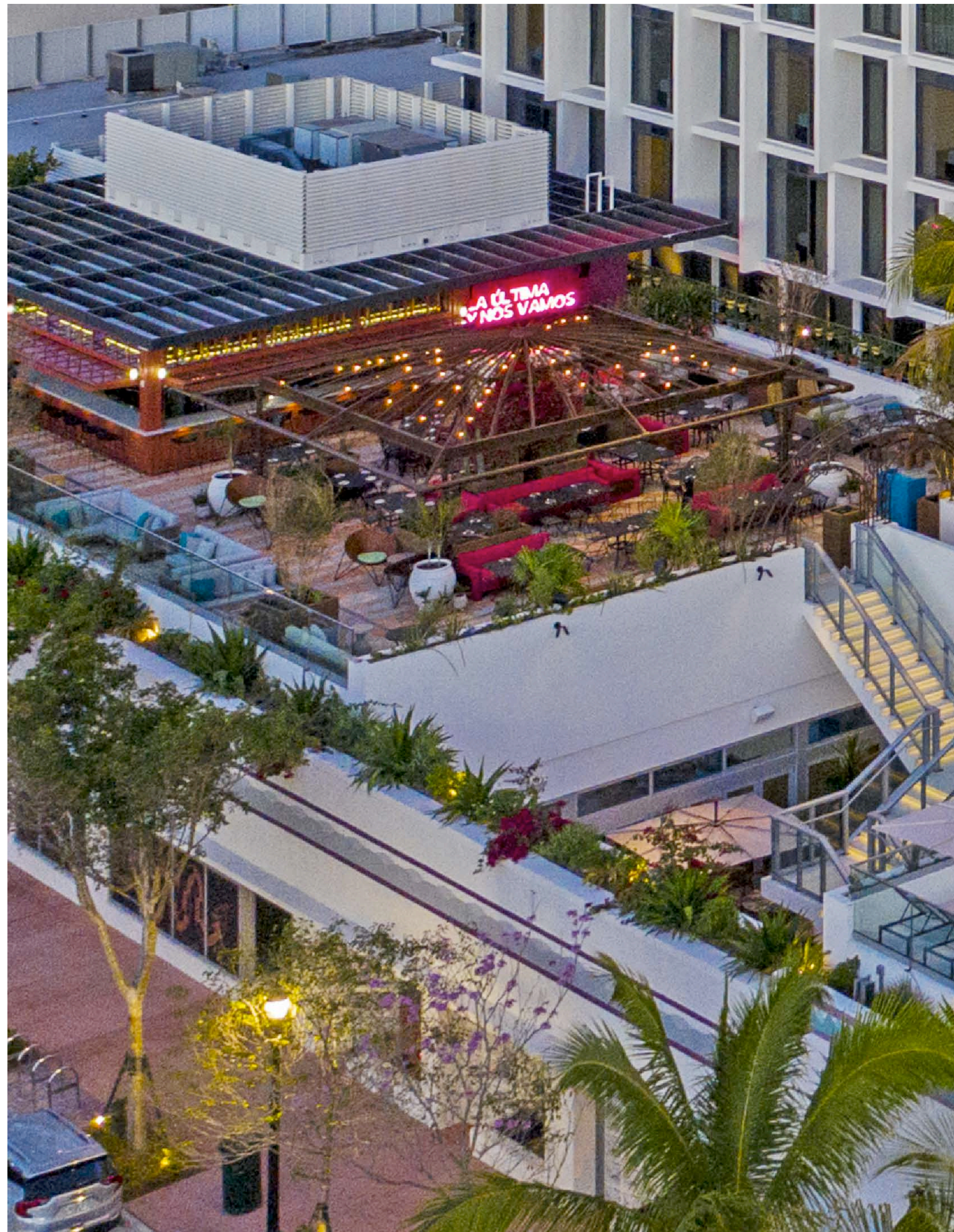
B

A

THE DESIGNS INDICATED IN THESE DRAWINGS ARE PROPERTY OF SALADINO DESIGN STUDIOS INC.



2 PHOTO EXISTING CONDITIONS  
SCALE: N.T.S.

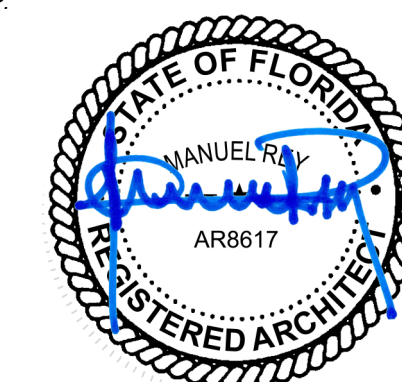


1 PHOTO EXISTING CONDITIONS  
SCALE: N.T.S.

0 2 4 8'

ALL CONTRACTORS ARE RESPONSIBLE FOR FIELD VERIFICATION OF DIMENSIONS

STAMP:



MANUEL REY  
REGISTERED PROFESSIONAL ARCHITECT  
STATE OF FLORIDA LICENSE NO. 8617  
A-4492003757 18F02001942



7265 NE 4TH AVE, SUITE 101  
MIAMI FL 33138  
786.953.7455  
WWW.SALADINODESIGN.COM

PROJECT:

**MOXY HOTEL**  
915 WASHINGTON AVE  
MIAMI BEACH, FL 33139

OWNER:

**LIGHTSTONE**  
480 PARK AVENUE  
NEW YORK, NY 10022

M.E.P.:

**ARPE ENGINEERING**  
2020 PONCE DE LEON BLVD, SUITE 1002  
CORAL GABLES, FL 33134  
PH: 305.444.9809

STRUCTURAL:

**YHCE ENGINEERING**  
99 NW 27TH AVE  
MIAMI, FL 33125  
PH: 305.969.9423

MTCI / PRIVATE PROVIDER:

GENERAL NOTES:

ALL LEGAL RIGHTS, INCLUDING BUT NOT LIMITED TO, COPYRIGHT AND DESIGN PATENT RIGHTS, IN THE DESIGN, ARRANGEMENTS, AND PLANS SHOWN ON THIS DOCUMENT ARE THE PROPERTY OF SALADINO DESIGN STUDIOS INC., AND HERE DEVELOPED FOR USE SOLELY ON THIS PROJECT. THEY MAY NOT BE USED OR REUSED IN WHOLE OR IN PART, EXCEPT IN CONNECTION WITH THIS PROJECT, WITHOUT THE PRIOR WRITTEN CONSENT OF SDS, INC.

REVISIONS

ISSUE	ISSUE DATE/FOR

PROJECT No: 1915 DRAWN BY: CAPU  
SCALE: CHECKED BY: SS  
DATE:

DRAWING:  
PHOTOS  
EXISTING CONDITIONS

SHEET NO. **A0.10.2**  
HISTORIC PRESERVATION BOARD

E

D

C

B

A

1

2

3

4

1

2

3

4



E

D

C

B

A

THE DESIGNS INDICATED IN THESE DRAWINGS ARE PROPERTY OF SALADINO DESIGN STUDIOS INC.

1

2

3

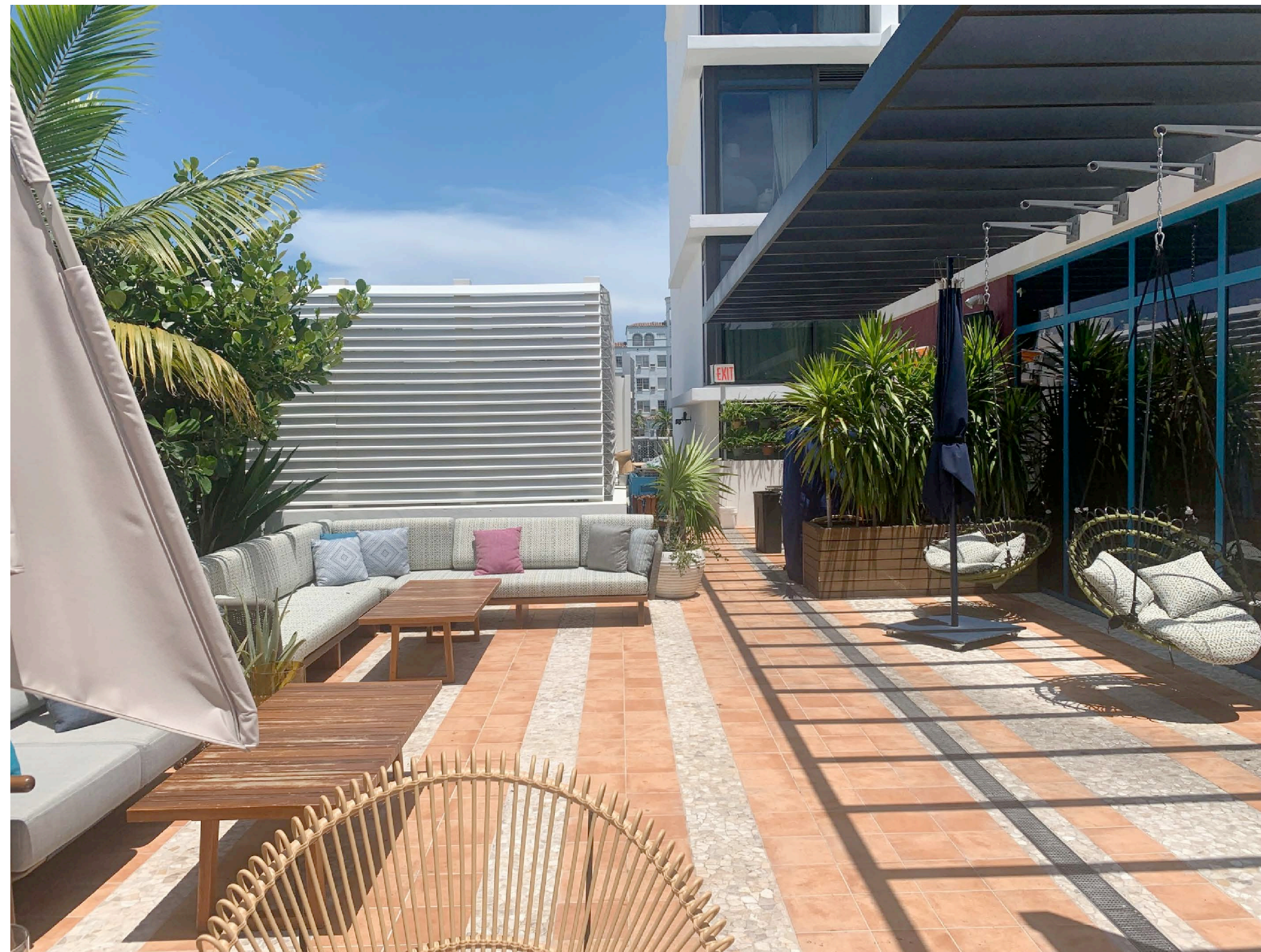
4

1

2

3

4



6 PHOTO EXISTING CONDITIONS  
SCALE: N.T.S.



5 PHOTO EXISTING CONDITIONS  
SCALE: N.T.S.



4 PHOTO EXISTING CONDITIONS  
SCALE: N.T.S.



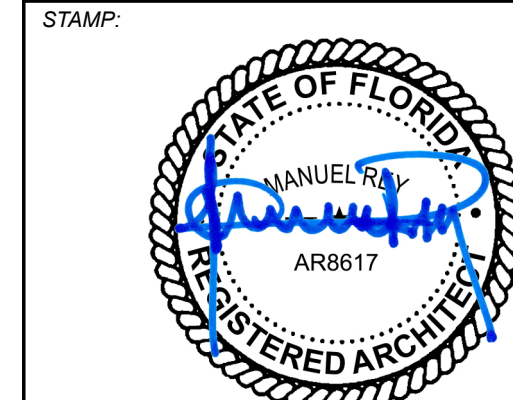
3 PHOTO EXISTING CONDITIONS  
SCALE: N.T.S.



2 PHOTO EXISTING CONDITIONS  
SCALE: N.T.S.



1 PHOTO EXISTING CONDITIONS  
SCALE: N.T.S.



MANUEL REY  
REGISTERED PROFESSIONAL ARCHITECT  
STATE OF FLORIDA LICENSE NO. 8617  
A-4400003757 / B-00001942



7265 NE 4TH AVE, SUITE 101  
MIAMI, FL 33138  
786.953.7455  
WWW.SALADINODESIGN.COM

PROJECT:  
**MOXY HOTEL**  
915 WASHINGTON AVE  
MIAMI BEACH, FL 33139

OWNER:  
**LIGHTSTONE**  
480 PARK AVENUE  
NEW YORK, NY 10022

M.E.P.:  
**ARPE ENGINEERING**  
2020 PONCE DE LEON BLVD, SUITE 1002  
CORAL GABLES, FL 33134  
PH: 305.444.9809

STRUCTURAL:  
**YHCE ENGINEERING**  
99 NW 27TH AVE  
MIAMI, FL 33125  
PH: 305.969.9423

MTC1 / PRIVATE PROVIDER:

GENERAL NOTES:  
ALL LEGAL RIGHTS, INCLUDING BUT NOT LIMITED TO, COPYRIGHT AND DESIGN PATENT RIGHTS IN THE DESIGN, ARRANGEMENTS, AND PLANS SHOWN ON THIS DOCUMENT ARE THE PROPERTY OF SALADINO DESIGN STUDIOS, INC., AND WERE DEVELOPED FOR USE SOLELY ON THIS PROJECT. THEY MAY NOT BE USED OR REUSED IN WHOLE OR IN PART, EXCEPT IN CONNECTION WITH THIS PROJECT, WITHOUT THE PRIOR WRITTEN CONSENT OF SDS, INC.

REVISIONS		
ISSUE	ISSUE DATE/FOR	

PROJECT NO: 1915 DRAWN BY: CAPU  
SCALE: CHECKED BY: SS  
DATE:

DRAWING:  
PHOTOS  
EXISTING CONDITIONS

SHEET NO. **A0.10.3**  
HISTORIC PRESERVATION BOARD

ALL CONTRACTORS ARE RESPONSIBLE FOR FIELD VERIFICATION OF DIMENSIONS

E

D

C

B

A