

ITEM #	ITEM DESCRIPTION	MANUFACTURER/NOTES
PARTS		
1	HEAD AND SIDE JAMB	MAHOGANY
2	MULLION HEAD JAMB	MAHOGANY
3	MULLION SIDE JAMB	MAHOGANY
5	TOP RAIL AND STILE	MAHOGANY
8	BOTTOM RAIL	MAHOGANY
10	MEETING STILE	MAHOGANY
13	MID RAIL	MAHOGANY
14	SILL DRIP	MAHOGANY
15	ASTRAGAL (INACTIVE LEAF)	MAHOGANY
16	ASTRAGAL COVER (ACTIVE LEAF)	MAHOGANY
17	NON-I.G. GLAZING BEAD	MAHOGANY
18	I.G. GLAZING BEAD	MAHOGANY
19	STRIKE PLATE	GU (KFV) S.S.
20	STILE REINFORCEMENT	A36 STEEL (W/ DOORS TALLER THAN 8')
21	TRANSOM MULLION REINFORCEMENT	A36 STEEL
22	VERTICAL MULLION REINFORCEMENT	A36 STEEL
23	FRAME INSTALLATION CLIP	GALVANIZED 34.1 KSI STEEL
24	FRAME INSTALLATION BRACKET	GALVANIZED 34.1 KSI STEEL
25	INSWING BUMBER THRESHOLD	BRONZE BY PEETZ
26	ADA THRESHOLD	PEMKO BRONZE
27	0.906 X 9.843 X 0.118 TOP STRIKE PLATE	S.S. BY PEETZ
28	0.906 X 9.843 X 0.118 SILL STRIKE PLATE	BRONZE OR S.S. BY PEETZ
29	0.984 X 9.843 X 0.098 LATCH/ DEADBOLT STRIKE PLATE	S.S. BY GU (KFV)
HARDWARE		
30	LOCK HANDLE	AS REQUIRED TO OPERATE LOCKS
31	MULTI-POINT LOCK SYSTEM	KFV OR HOPPE 5-POINT LOCK AT DOUBLE DOOR ACTIVE PANEL KFV OR HOPPE 2-POINT LOCK AT DOUBLE DOOR INACTIVE PANEL KFV OR HOPPE 4-POINT LOCK AT SINGLE ACTIVE DOOR (3-POINT WITH DOORS LESS THAN 10' TALL)
32	HINGE	BRASS 2 1/4" X 5 1/2"
SEALS AND SEALANTS		
36	SWEEP	GTG EDPM
37	COMPRESSION SEAL	SCHLEGEL
38	3/8" X 3/16" PRECOM PRESSED TAPE	N/A
39	COMPRESSION SEAL	SCHLEGEL

NOTE: MAHOGANY USED IN TESTING WAS MERANTI MAHOGANY. OTHER WOOD SPECIES APPLICABLE FOR USE WITH THIS PRODUCT ARE MERBAU, DOUSSIE, SIPO, SAPELLI, HONDURAS MAHOGANY OR OAK. ALL WOOD IS MINIMUM GRADE 2 MILLED BY PEETZ TO SELECT.

ITEM #	ITEM DESCRIPTION	MANUFACTURER/NOTES
FASTENERS		
40	.295" X 4 7/16" AMO III GALVANIZED STEEL SCREWS	5 1/2" FROM INTERIOR CORNERS & 14" O.C. AT HEAD AND JAMBS
41	OPTIONAL 18 GA. X 1 1/4" GALVANIZED CURVED NAIL	10" FROM CORNERS & 20" O.C. (NOT APPLICABLE WHEN PART 18 IS USED W/ SASH)
42	3/16" X 2 3/4" SCREW	4 PER HINGE (● PANEL)
43	3/16" X 1 3/16" SCREW	4 PER HINGE (● JAMB)
44	3/16" X 1 3/4" SCREW	5 1/2" FROM INT. CORNER & 14" MAX. O.C.
45	3/16" X 2 3/4" ASTRAGAL SCREW	5 1/2" FROM ENDS & 14" MAX. O.C.
46	#10 X 2" S.S. S.M.S.	5 PER HEAD STRIKE PLATE #27
47	#10 X 5/8" S.S. S.M.S.	4 PER SILL STRIKE PLATE #28
48	#8 X 2" S.S. S.M.S.	● FRAME: 4 PER STRIKE PLATE #19 7 PER STRIKE PLATE #29 ● ASTRAGAL: 2 PER STRIKE PLATE #19 3 PER STRIKE PLATE #29
49	#8 X 3/4" S.S. S.M.S.	● ASTRAGAL: 2 PER STRIKE PLATE #19 4 PER STRIKE PLATE #29
50	.295" X 4 7/16" AMO III GALVANIZED STEEL SCREWS	5 1/2" FROM INTERIOR CORNERS & 14" O.C. AT SILL

DRAWN BY: STA.	CHECKED BY: M.S.
PLT: 1-2	DATE: 7/22/05
DATE	BY
REVISION DESCRIPTION	
DRAWING TITLE AMERICAN IN-SWING IMPACT WOOD DOORS	
CONSULTANTS W. W. SCHAEFER ENGINEERING & CONSULTING, P.A. 8001 S. W. 28th Street, Suite 204 Palm Beach Gardens, FL 33410 PHONE: 561-775-8802 FAX: 561-775-4003	
MANUFACTURER PEETZ WINDOWS & DOORS 5783 S.W. 40TH STREET, PHB 220 MIAMI, FL 33155 305-665-0291	
CERTIFICATION	DATE
JUL 29 2005	
Approved as complying with the Florida Building Code Date: 08/10/05 NDAS: 05-002203 Minimum Product Control Division: <i>Architect</i>	
DRAWING NO.:	1324A
SHEET NO.:	12 of 12



BUILDING CODE COMPLIANCE OFFICE (BCCO)
PRODUCT CONTROL DIVISION

MIAMI-DADE COUNTY, FLORIDA
METRO-DADE FLAGLER BUILDING
140 WEST FLAGLER STREET, SUITE 1603
MIAMI, FLORIDA 33130-1563
(305) 375-2901 FAX (305) 375-2908

www.buildingcodeonline.com

NOTICE OF ACCEPTANCE (NOA)

Peetz Windows and Doors, Inc.
5783 SW 40th Street PMB 220
Miami, FL 33155

BD-701300

SCOPE:

This NOA is being issued under the applicable rules and regulations governing the use of construction materials. The documentation submitted has been reviewed by Miami-Dade County Product Control Division and accepted by the Board of Rules and Appeals (BORA) to be used in Miami Dade County and other areas where allowed by the Authority Having Jurisdiction (AHJ).

This NOA shall not be valid after the expiration date stated below. The Miami-Dade County Product Control Division (In Miami Dade County) and/or the AHJ (in areas other than Miami Dade County) reserve the right to have this product or material tested for quality assurance purposes. If this product or material fails to perform in the accepted manner, the manufacturer will incur the expense of such testing and the AHJ may immediately revoke, modify, or suspend the use of such product or material within their jurisdiction. BORA reserves the right to revoke this acceptance, if it is determined by Miami-Dade County Product Control Division that this product or material fails to meet the requirements of the applicable building code.

This product is approved as described herein, and has been designed to comply with the Florida Building Code, including the High Velocity Hurricane Zone.

DESCRIPTION: "American Fixed Outswing Casement" Wood Fixed Windows - L.M.I.

APPROVAL DOCUMENT: Drawing No. 1322, titled "American Fixed Casement Impact Wood Windows", sheets 1 through 7 of 7, dated 03/15/05, prepared by Warren W. Schaefer, P.E., bearing the Miami-Dade County Product Control Approval stamp with the Notice of Acceptance number and approval date by the Miami-Dade County Product Control Division.

MISSILE IMPACT RATING: Large and Small Missile Impact

LABELING: Each unit shall bear a permanent label with the manufacturer's name or logo, city, state and following statement: "Miami-Dade County Product Control Approved" unless otherwise noted herein.

RENEWAL of this NOA shall be considered after a renewal application has been filed and there has been no change in the applicable building code negatively affecting the performance of this product.

TERMINATION of this NOA will occur after the expiration date or if there has been a revision or change in the materials, use, and/or manufacture of the product or process. Misuse of this NOA as an endorsement of any product, for sales, advertising or any other purposes shall automatically terminate this NOA. Failure to comply with any section of this NOA shall be cause for termination and removal of this NOA.

ADVERTISEMENT: The NOA number preceded by the word "Miami-Dade County, Florida", and followed by the expiration date may be displayed in advertising literature. A portion of the NOA is displayed, then it shall be done in its entirety.

INSPECTION: A copy of this entire NOA shall be provided to the manufacturer or its distributors and shall be available for inspection at the job site at the request of the building official. This NOA consists of this page 1 and evidence pages E-1 and E-2, as well as a previous document mentioned above.

The submitted documentation was reviewed by Herminio F. Gonzalez, P.E., Director, BCCO

NOA No 05-0622.04
Expiration Date: August 18, 2010
Approval Date: August 18, 2005
Page 1

Handwritten signature and date: 7/28/05
Handwritten signature and date: 11/01/05

Peetz Windows and Doors, Inc.

NOTICE OF ACCEPTANCE: EVIDENCE SUBMITTED

A. DRAWINGS

1. - Manufacturer's die drawings and sections.
2. Drawing No. 1322, titled "American Outswing Fixed Casement Impact Wood Windows", sheets 1 through 7 of 7, dated 03/15/05, prepared by W.W. Schaeffer Engineering & Consulting, P.A, signed and sealed by Warren W. Schaefer, P.E.

B. TESTS

1. Test reports on
 - 1) Air Infiltration Test, per FBC, TAS 202-94
 - 2) Uniform Static Air Pressure Test, Loading per FBC, TAS 202-94.
 - 3) Water Resistance Test, per FBC, TAS 202-94.
 - 4) Large Missile Impact Test per FBC, TAS 201-94
 - 5) Cyclic Wind Pressure Loading per FBC, TAS 203-94
 - 6) Forced Entry Test, per FBC 2411 3.2.1 and TAS 202-94


along with the manufacturer's parts drawings, installation diagram and marked-up drawings of a wood casement window prepared by Hurricane Test Laboratory, Inc. Test Report No. HTL-0284-1018-04, dated 06/03/05, signed and sealed by Vinu J. Abraham, P.E.

2. Test reports on
 - 1) Air Infiltration Test, per FBC, TAS 202-94
 - 2) Uniform Static Air Pressure Test, Loading per FBC, TAS 202-94.
 - 3) Water Resistance Test, per FBC, TAS 202-94.
 - 4) Large Missile Impact Test per FBC, TAS 201-94
 - 5) Cyclic Wind Pressure Loading per FBC, TAS 203-94
 - 6) Forced Entry Test, per FBC 2411 3.2.1 and TAS 202-94

along with the manufacturer's parts drawings, installation diagram and marked-up drawings of a wood casement window prepared by Hurricane Test Laboratory, Inc. Test Report No. HTL-0284-0115-05, dated 06/03/05, signed and sealed by Vinu J. Abraham, P.E.

3. Test reports on
 - 1) Air Infiltration Test, per FBC, TAS 202-94
 - 2) Uniform Static Air Pressure Test, Loading per FBC, TAS 202-94.
 - 3) Water Resistance Test, per FBC, TAS 202-94.
 - 4) Large Missile Impact Test per FBC, TAS 201-94
 - 5) Cyclic Wind Pressure Loading per FBC, TAS 203-94

along with the manufacturer's parts drawings, installation diagram and marked-up drawings of a wood casement window prepared by Hurricane Test Laboratory, Inc. Test Report No. HTL-0284-0116-05, dated 06/03/05, signed and sealed by Vinu J. Abraham, P.E.



Herminio F. Gonzalez, P.E.
Director, Building Code Compliance Office
NOA No 05-0622.04

Expiration Date: August 18, 2010
Approval Date: August 18, 2005

Peetz Windows and Doors

NOTICE OF ACCEPTANCE: EVIDENCE SUBMITTED

C. CALCULATIONS

1. Anchor calculations and structural analysis, dated 04/07/05, prepared by W.W. Schaeffer Engineering & Consulting, P.A., signed and sealed by Warren Schaeffer, P.E.

D. QUALITY ASSURANCE

1. Miami Dade Building Code Compliance Office (BCCO).

E. MATERIAL CERTIFICATIONS

1. Notice of Acceptance No. 01-0205.02 issued to Solutia Inc. for their "Saflex /Keepsafe Maximum" dated 05/17/01, expiring on 05/21/06.
2. Notice of Acceptance No. 03-0415.13 issued to Solutia Inc. for their "Vanceva Composites" dated 12/11/03, expiring on 12/11/08.

F. STATEMENTS

1. Statement letter of conformance and no financial interest, dated June 10, 2005, signed and sealed by Warren Schaeffer, P.E.

G. OTHER

1. Letter from consultant stating that the product is in compliance with the Florida Building Code (FBC).

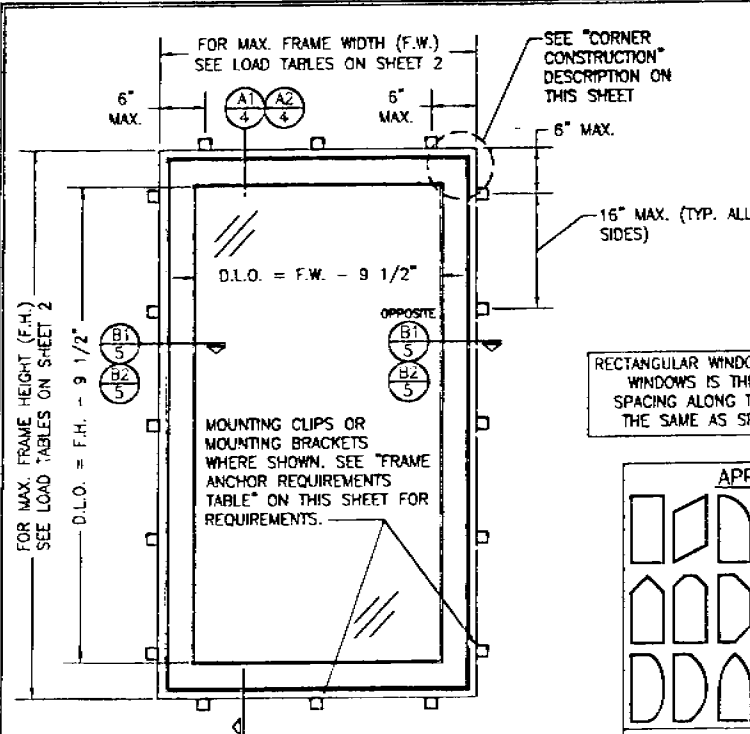
for M. Gonzalez

Herminio F. Gonzalez, P.E.
Director, Building Code Compliance Office

NOA No 05-0622.04

Expiration Date: August 18, 2010

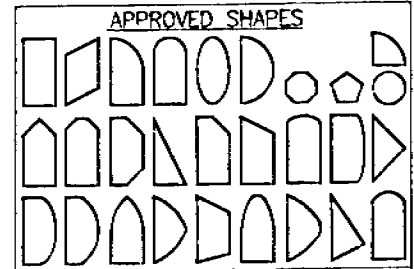
Approval Date: August 18, 2005



**EXTERIOR ELEVATION
SINGLE FIXED WINDOW**
SCALE: N.T.S.

LONG DIMENSION OF WINDOW MAY BE HORIZONTAL OR VERTICAL (HEIGHT & WIDTH MAY BE INTERCHANGED).

RECTANGULAR WINDOWS SHOWN. ANCHORING OF SHAPED WINDOWS IS THE SAME WITH REQUIRED ANCHOR SPACING ALONG THE FRAME CIRCUMFERENCE BEING THE SAME AS SPECIFIED FOR A STRAIGHT FRAME.



NOTES:
1. OTHER SHAPES MAY APPLY PROVIDING THEY ARE SIMILAR TO THOSE SHOWN & HAVE CORNER CONSTRUCTION AS DESCRIBED ON THIS SHEET.
2. ALL SHAPED UNITS MUST FIT INSCRIBED INTO THE ALLOWABLE RECTANGULAR UNITS & BE GOVERNED BY THE ALLOWABLE PRESSURE OF THE RESPECTIVE RECTANGULAR UNIT.

FRAME ANCHOR REQUIREMENTS TABLE			
MOUNTING CLIP SCREWS			
OPENING TYPE (SUBSTRATE)	JAMB TO OPENING FASTENER TYPE	MINIMUM EMBED	MINIMUM EDGE DIST.
2X WOOD FRAME OR BUCK	NO. 8 X 1 1/2" SMS SCREWS	1 3/8"	1/2"
MIN. 1/8" THICK 36 KSI STEEL	NO. 8 SELF TAPPING SCREWS	FULL	1/2"
MOUNTING BRACKET SCREWS			
2X WOOD FRAME OR BUCK	NO. 8 X 1 1/2" SMS SCREWS	1 3/8"	1/2"
MIN. 18 GA. 33 KSI METAL STUD OR 36 KSI STRUCTURAL STEEL	NO. 8 SELF TAPPING SCREWS	FULL	1/2"

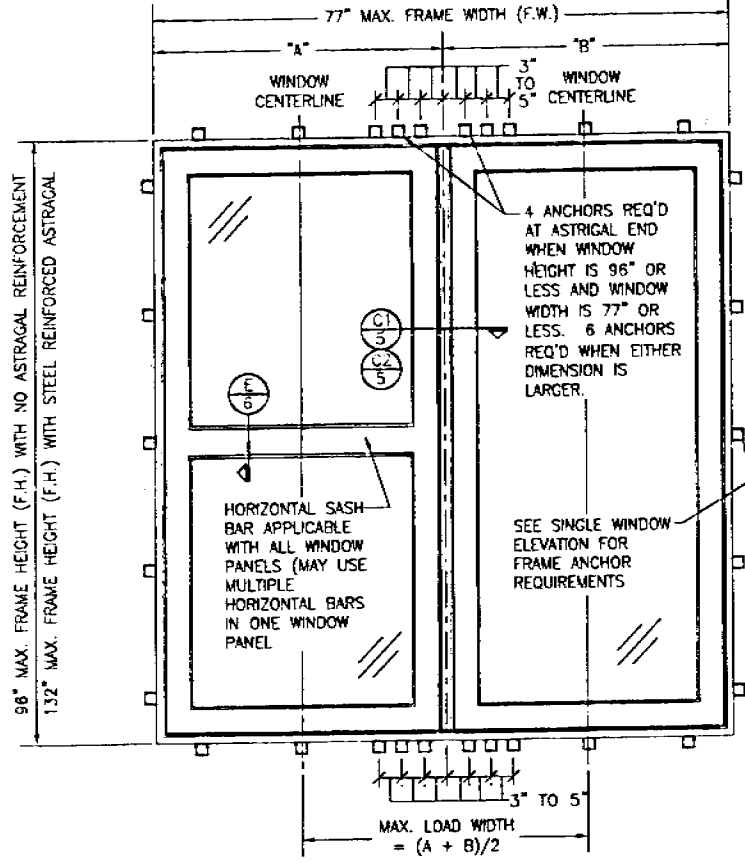
(1) CONCRETE SCREWS SHALL BE ELCO OR ITW RAMSET/RED HEAD TAPCONS OR HILTI KWIK-CON II (HARDENED STEEL OR S.S.).

GENERAL NOTES

1. THESE WINDOW SYSTEMS HAVE BEEN TESTED, ANALYZED AND APPROVED FOR DESIGN PRESSURES NOT TO EXCEED THOSE SHOWN IN THE "ALLOWABLE DESIGN LOADS" TABLE(S).
2. BUCKING, OPENINGS & BUCKING FASTENERS MUST BE PROPERLY DESIGNED & INSTALLED TO TRANSFER WIND LOADS TO THE STRUCTURE.
3. ALL HARDWARE & FASTENERS SHALL BE IN ACCORDANCE WITH THESE DRAWINGS & MAY NOT VARY UNLESS SPECIFICALLY MENTIONED ON THE DRAWINGS.
4. THE DETAILS & SPECIFICATIONS SHOWN HEREIN REPRESENT THE PRODUCTS TESTED & PROPOSED FOR WATER, AIR, IMPACT, CYCLIC & UNIFORM STATIC AIR PRESSURE TESTING IN CONFORMANCE WITH THE 2004 FLORIDA BUILDING CODE PROTOCOLS TAS-201, 202 & 203 FOR LARGE MISSILE IMPACT WINDOWS.
5. THESE WINDOW SYSTEMS HAVE BEEN DESIGNED IN ACCORDANCE WITH THE 2004 FLORIDA BUILDING CODE (FBC) INCLUDING HIGH VELOCITY HURRICANE ZONES (HVHZ).
6. IMPACT SHUTTERS ARE NOT REQUIRED WITH THESE WINDOWS.
7. ALL ANCHORS SHALL BE INSTALLED AS SPECIFIED ON THESE DRAWINGS. SPECIFIED ENHANCEMENT TO BASE MATERIAL SHALL BE BEYOND WALL FINISH OR STUCCO.
8. ALL FRAME ANCHORS SECURING WINDOW FRAME TO PRESSURE TREATED BUCKS OR WOOD FRAMING SHALL BE CAPABLE OF RESISTING CORROSION CAUSED BY THE PRESSURE TREATING CHEMICALS IN THE WOOD.

CORNER CONSTRUCTION:

JAMBS: COPED, BUTTED TOGETHER, JOINED WITH 3 NO. 10 X 3 1/8" SCREWS & GLUED WITH BINDAN D4 OR EQUAL.
SASH: MULTI-FORKED, BUTTED & GLUED WITH BINDAN D4 OR EQUAL.



**EXTERIOR ELEVATION
DOUBLE FIXED WINDOW WITH ASTRAGAL**
SCALE: N.T.S.

SEE SINGLE WINDOW ELEVATION FOR WINDOW DETAIL NOT SHOWN

ALLOWABLE DESIGN PRESSURE
(ALL CONDITIONS)
SEE LOAD TABLES ON SHEET 2

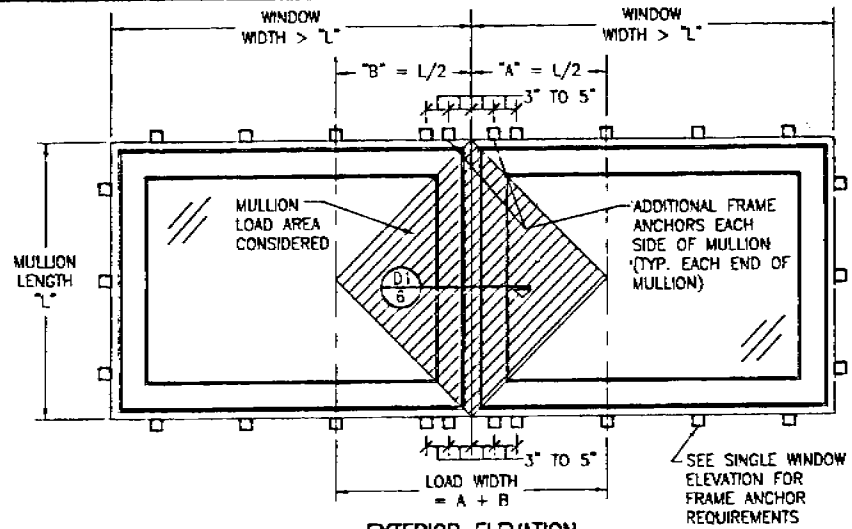
Approved as complying with the Florida Building Code
Date: 5/11/05
NOA: 05-000002
Miami Trade Products Council
Division
By: [Signature]

DRAWN BY: S.T.R.	CHECKED BY: S.M.S.
DATE: 1-18	DATE: 3/18/05
DATE	DATE
BY	BY
REVISION DESCRIPTION	REVISION DESCRIPTION
NO.	NO.
DRAWING TITLE: AMERICAN OUT-SWING FIXED CASEMENT IMPACT WOOD WINDOWS	
MANUFACTURER: PEETZ WINDOWS & DOORS 5783 S.W. 40TH STREET, PMB 220 MIAMI, FL 33155 305-665-0291	
CONSULTANTS: W. W. SCHAEFER ENGINEERING & CONSULTING, P.A. 8805 N. MILITARY TRAIL, SUITE 0-204 PALM BEACH GARDENS, FL 33410 PHONE: 561-775-4402 FAX: 561-775-4403	
CERTIFICATION	DATE: JUL 1 2005
W. W. SCHAEFER, P.E.	W. W. SCHAEFER, P.E.
NO. 4433	NO. 4433
DRAWING NO. 1322	PREP.
SHEET NO. 1	OF 7

ALLOWABLE SINGLE WINDOW DESIGN PRESSURE

MAXIMUM FRAME LONG DIMENSION (IN.)	MAXIMUM SHORT LONG DIMENSION (IN.)	ALLOWABLE PRESSURE (POS. & NEG. PSF)			
		WITH I.G. GLAZING		WITH NON-I.G. GLAZING	
		OPTION 1	OPTION 2	OPTION 1	OPTION 2
132	39	75.0	75.0	75.0	75.0
120	42	71.9	71.9	71.9	71.9
	36	75.0	75.0	75.0	75.0
108	48	66.8	66.8	65.2	65.2
	42	73.7	73.7	73.7	73.7
96	36	75.0	75.0	75.0	75.0
	54	75.0	84.2	75.0	84.2
	48	69.2	69.2	69.2	69.2
	42	75.0	75.0	75.0	75.0
90	39	75.0	75.0	75.0	75.0
	54	75.0	65.9	75.0	65.9
	48	72.8	72.8	72.8	72.8
	42	75.0	75.0	75.0	75.0
84	60	75.0	64.6	75.0	64.6
	54	75.0	68.0	75.0	68.0
	48	72.7	72.7	72.7	72.7
	44	75.0	75.0	75.0	75.0
78	66	75.0	65.5	75.0	65.5
	60	75.0	67.5	75.0	67.5
	54	75.0	70.8	75.0	70.8
	48	75.0	75.0	75.0	75.0
72	66	75.0	68.2	75.0	68.2
	60	75.0	71.2	75.0	71.2
	54	73.9	73.9	73.9	73.9
	52	75.0	75.0	75.0	75.0
66	48	75.0	75.0	75.0	75.0
	66	75.0	68.2	75.0	68.2
60	60	75.0	75.0	75.0	75.0

NOTES:
 1. SEE GLAZING DETAILS FOR GLAZING OPTIONS
 2. CROSSED OUT BOXES DESIGNATE SIZES NOT ACCEPTABLE FOR THE RESPECTIVE GLASS OPTION.



EXTERIOR ELEVATION
FIXED WINDOW MULLION TO FIXED WINDOW WITH NON-REINFORCED MULLION WHEN WINDOW WIDTHS ARE GREATER THAN THE MULLION LENGTH
 (SEE MULLION LOAD TABLE)
 (MULTIPLE UNIT NOTES ON SHEET 3 SHALL APPLY)
 SEE SINGLE WINDOW ELEVATION FOR WINDOW DETAIL NOT SHOWN

FIXED ASTRIGAL ALLOWABLE LOAD TABLE			
MAXIMUM ASTRIGAL SPAN (IN.)	MAXIMUM LOAD WIDTH (IN.)	ALLOWABLE PRESSURE (POS. & NEG. PSF)	
		NON-REINFORCED ASTRIGAL	REINFORCED ASTRIGAL
132	39	N/A	56.0
	36	N/A	59.9
	30	N/A	70.0
120	24	N/A	75.0
	42	N/A	59.1
	39	N/A	62.7
	36	N/A	66.9
108	30	N/A	75.0
	48	N/A	60.9
	42	N/A	67.2
	39	N/A	71.2
96	36	N/A	75.0
	54	46.8	65.9
	48	51.5	71.1
	42	57.7	75.0
	39	61.8	75.0
	36	66.0	75.0
90	30	75.0	75.0
	54	54.0	72.2
	48	59.2	75.0
	42	66.3	75.0
84	39	71.3	75.0
	36	75.0	75.0
	60	59.3	75.0
	54	63.3	75.0
78	48	69.0	75.0
	42	75.0	75.0
	66	68.1	75.0
	54	70.9	75.0
72	48	75.0	75.0
	66	75.0	75.0

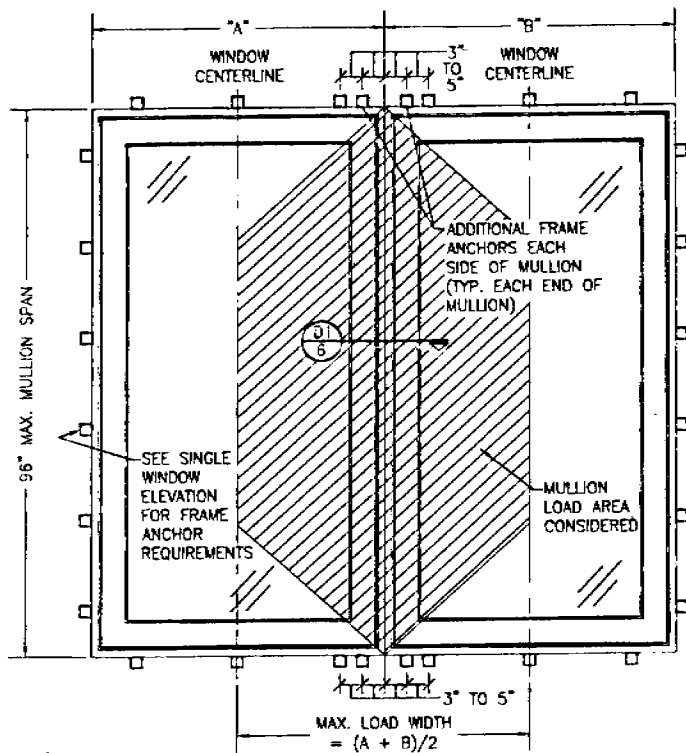
NON-REINFORCE ASTRIGAL SPAN MAY NOT EXCEED 96"

MULLION ALLOWABLE LOAD TABLE			
MAXIMUM MULLION SPAN (IN.)	MAXIMUM LOAD WIDTH (IN.)	ALLOWABLE PRESSURE (POS. & NEG. PSF)	
		NON-REINFORCED MULLION	REINFORCED MULLION
132	39	N/A	75.0
120	42	N/A	75.0
108	48	N/A	75.0
	54	53.2	75.0
96	48	58.6	75.0
	42	65.5	75.0
	39	70.0	75.0
	36	75.0	75.0
90	54	61.3	75.0
	48	67.9	75.0
	42	74.1	75.0
	39	75.0	75.0
84	60	64.5	75.0
	54	67.9	75.0
	48	72.5	75.0
	42	75.0	75.0
78	66	70.3	75.0
	60	72.5	75.0
	54	75.0	75.0
	48	75.0	75.0

LESSER OF THE PRESSURE SHOWN IN THIS TABLE & THAT ALLOWED FOR THE INDIVIDUAL WINDOW SHALL CONTROL AS ALLOWABLE FOR THE OVERALL UNIT.
 NON-REINFORCE MULLION SPAN MAY NOT EXCEED 96"

Approved as complying with the Florida Building Code
 Date: 08/19/05
 NO. 05-000005
 Minimum Trade Pressure Control
 Division: 76
[Signature]

DRAWN BY STA 10/16	CHECKED BY RMS
DATE	DATE
BY	
NO. REVISION DESCRIPTION	
AMERICAN OUT-SWING FIXED CASEMENT IMPACT WOOD WINDOWS	MANUFACTURER
	PEETZ WINDOWS & DOORS
	5783 S.W. 40TH STREET, PMB 220
	MIAMI, FL 33155
	305-665-0291
CONSULTANTS	MANUFACTURER
W. W. SCHAEFER ENGINEERING & CONSULTING, P.A.	
8885 N. MILITARY TRAIL, SUITE G-204	
PALM BEACH GARDENS, FL 33410	
PHONE: 561-775-4802 FAX: 561-775-4903	
CERTIFICATION	
JUL 14 2005	
W. W. SCHAEFER, P.E.	
NO. 05-000005	
Division: 76	
DRAWING NO.	REV.
1322	
SHEET NO.	
2	OF 7

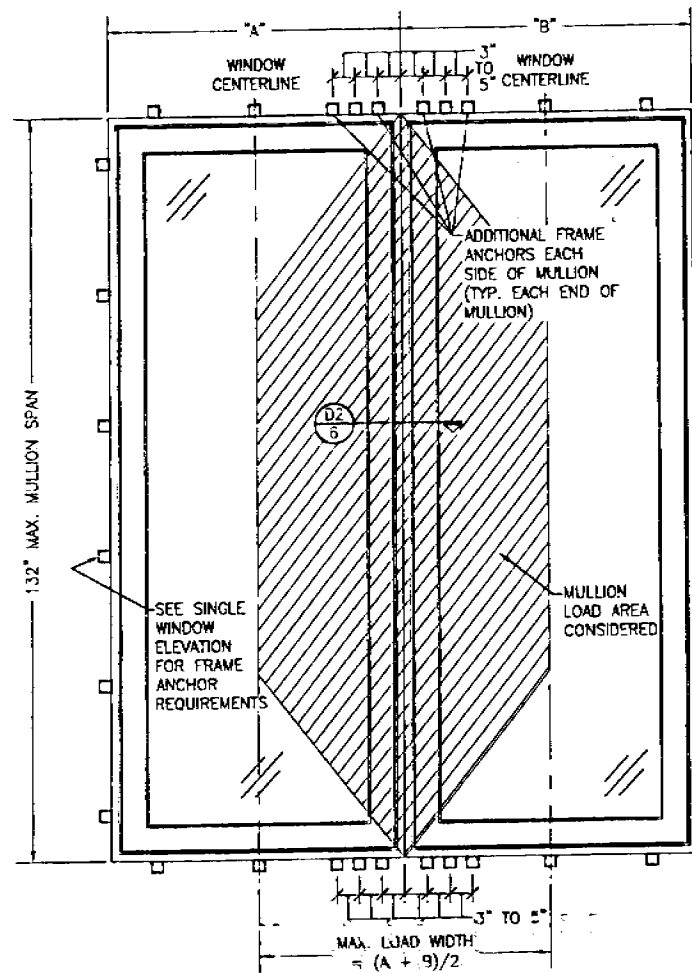


EXTERIOR ELEVATION
FIXED WINDOW MULLION TO FIXED WINDOW WITH
NON-REINFORCED MULLION WHEN WINDOW WIDTHS ARE
LESS THAN OR EQUAL TO THE MULLION LENGTH
(SEE MULLION LOAD TABLE)

SEE SINGLE WINDOW ELEVATION
 FOR WINDOW DETAIL NOT SHOWN

MULTIPLE UNIT NOTES:

1. ALL WINDOWS ARE RESTRICTED BY THE DIMENSIONS SPECIFIED.
2. THE MAXIMUM ALLOWABLE PRESSURE FOR A COMBINED UNIT IS RESTRICTED BY THE LESSER OF THE INDIVIDUAL WINDOW ALLOWABLE PRESSURE OR THE ALLOWABLE MULLION PRESSURE. SEE LOAD TABLES ON SHEET 2.
3. WINDOWS MAY BE STACKED HORIZONTAL OR VERTICAL (IF VERTICALLY STACKED, MANUFACTURER MUST INSURE THAT THE DEAD WEIGHT OF THE WINDOWS DOES NOT CAUSE ANY WINDOW FAILURES OR DEFORMATIONS)



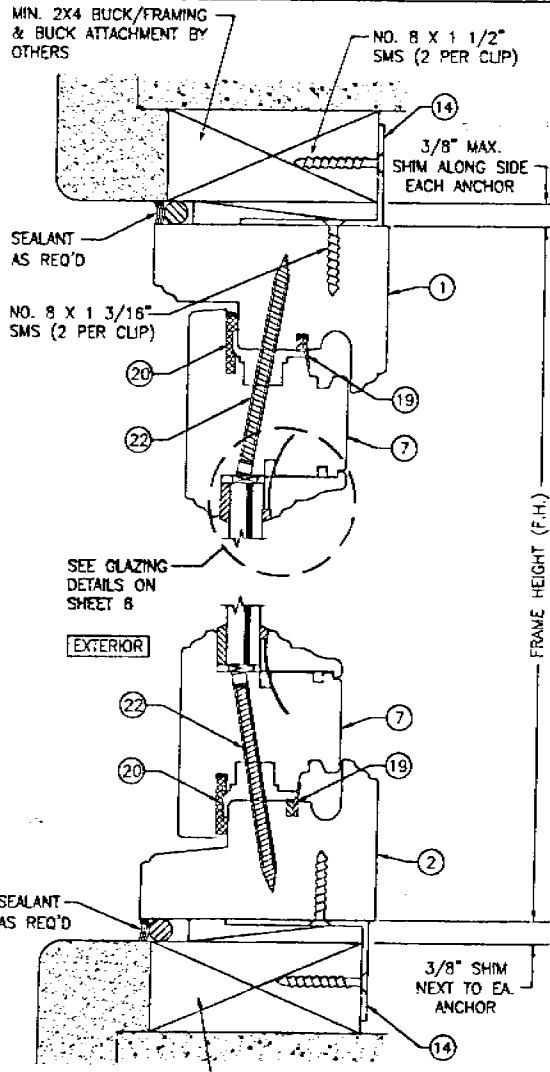
EXTERIOR ELEVATION
FIXED WINDOW MULLION TO FIXED WINDOW WITH
REINFORCED MULLION.

(SEE MULLION LOAD TABLE)

SEE SINGLE WINDOW ELEVATION
 FOR WINDOW DETAIL NOT SHOWN

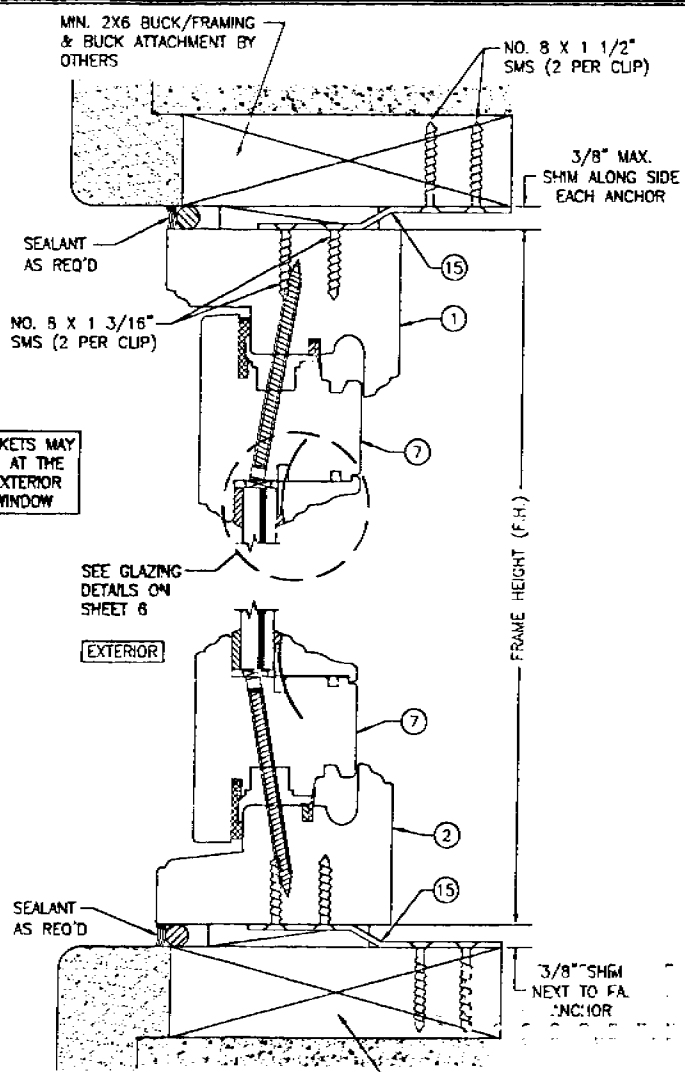
Approved as complying with the
 Florida Building Code
 Date: 05-08-2005
 W. W. Schaefer Engineering & Consulting, P.A.
 Minimum Dead Load Control
 Division
 By: W. W. Schaefer

DRAWING TITLE	AMERICAN OUT-SWING FIXED CASEMENT IMPACT WOOD WINDOWS
CONSULTANTS	W. W. SCHAEFER ENGINEERING & CONSULTING, P.A. 8885 N. MILITARY TRAIL, SUITE C-104 PALM BEACH GARDENS, FL 33410 PHONE: 561-775-4883 FAX: 561-775-4903
MANUFACTURER	PELZT WINDOWS & DOORS 5783 S.W. 40TH STREET, PMB 220 MIAMI, FL 33155 305-665-0291
CERTIFICATION	JUL 4 2005 W. W. Schaefer, P.E. Professional Seal No. 44333
DRAWING NO.	1322
SHEET NO.	3 of 7



MIN. 2X4 BUCK/FRAMING & BUCK ATTACHMENT BY OTHERS

SECTION A1
SCALE: 1/2 FULL
(CLIP MOUNT)



MIN. 2X6 BUCK/FRAMING & BUCK ATTACHMENT BY OTHERS

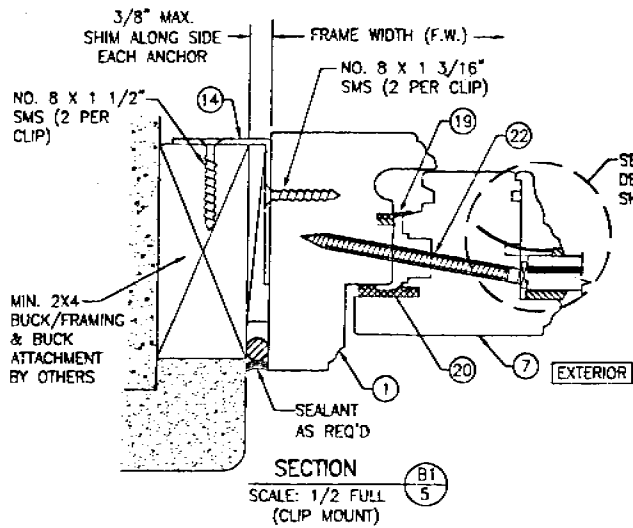
SECTION A2
SCALE: 1/2 FULL
(SEE DETAIL A1/4 FOR DETAILS NOT SHOWN)
(BRACKET MOUNT)

CLIPS & BRACKETS MAY BE POSITIONED AT THE INTERIOR OR EXTERIOR SIDE OF THE WINDOW

BUCK CONDITION SHOWN. METAL STUD OR STRUCTURAL STEEL SUBSTRATES ALSO APPLY IN LIEU OF BUCKS PER FRAME ANCHOR REQUIREMENTS TABLE ON SHEET 1

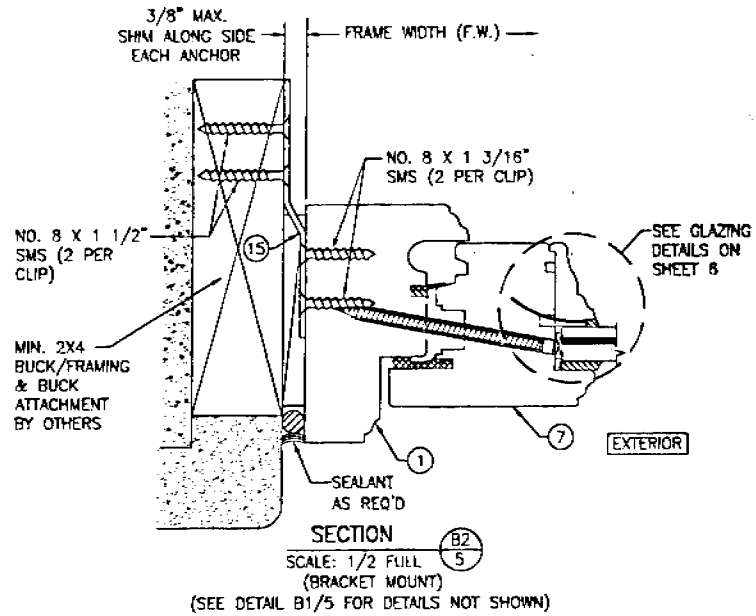
DRAWN BY: STA	CHECKED BY: RES
PLT: 1-4	DATE: 3/18/85
DATE:	
BY:	
NO. REVISION DESCRIPTION	
DRAWING TITLE: AMERICAN OUT-SWING FIXED CASEMENT IMPACT WOOD WINDOWS	
CONSULTANTS: W. W. SCHAEFER ENGINEERING & CONSULTING, P.A. 5805 INTERNATIONAL SUITE 504 PALM BEACH GARDENS, FL 33410 PHONE: 381-775-8928 FAX: 381-775-8903	
MANUFACTURER: PETZ WINDOWS & DOORS 5783 S.W. 40TH STREET, PMB 220 MIAMI, FL 33155 305-665-0291	
CERTIFICATION	
JUL 4 2005	
W. W. SCHAEFER, P.E.	
NO. 44133	
1322	
SHEET NO. 4	7

Agreed in compliance with the Florida Building Code
Date: 07/04/05
W.W. Schaefer
Professional Seal
Division: *[Signature]*



SECTION B1/5
SCALE: 1/2 FULL
(CLIP MOUNT)

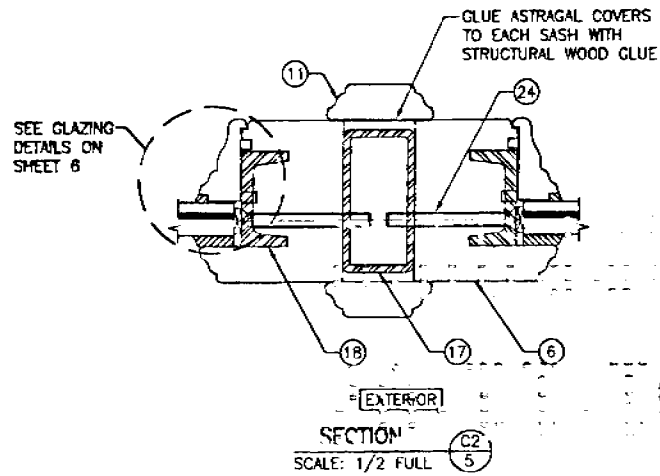
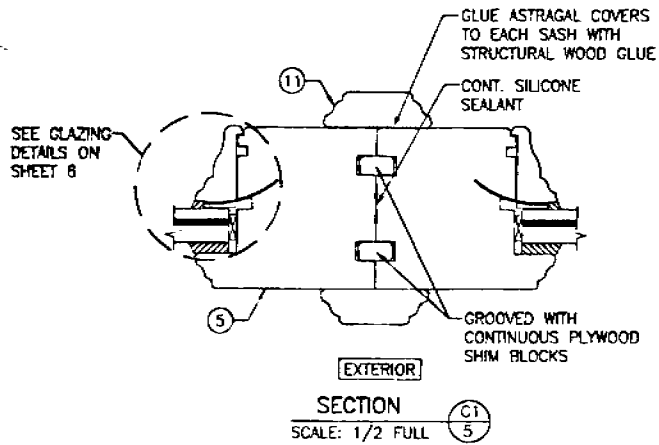
CLIPS & BRACKETS MAY BE POSITIONED AT THE INTERIOR OR EXTERIOR SIDE OF THE WINDOW



SECTION B2/5
SCALE: 1/2 FULL
(BRACKET MOUNT)

(SEE DETAIL B1/5 FOR DETAILS NOT SHOWN)

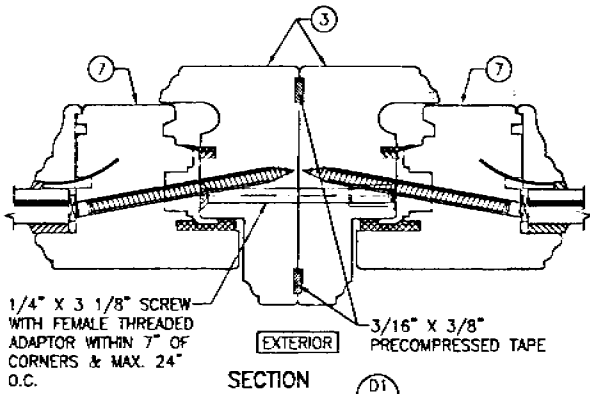
BUCK CONDITION SHOWN. METAL STUD OR STRUCTURAL STEEL SUBSTRATES ALSO APPLY IN LIEU OF BUCKS PER FRAME ANCHOR REQUIREMENTS TABLE ON SHEET 1



Approved as complying with the Florida Building Code
Date: 07/18/05
W.D. 05-0622-02
Miami-Dade Product Control
Division
By: [Signature]

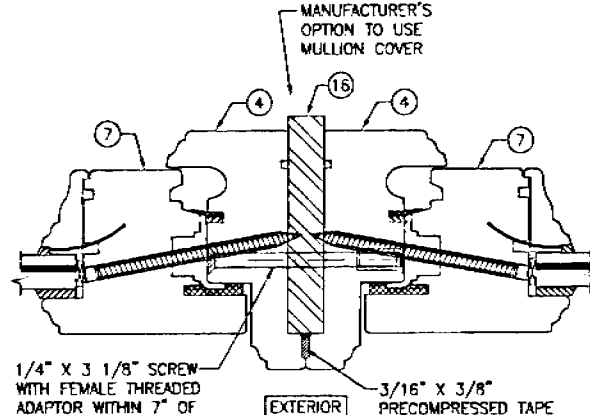
NO.	DATE	BY	REVISION DESCRIPTION	DRAWN BY	CHECKED BY
				PLT	DATE
1					
2					
3					
4					
5					
6					
7					
8					
9					
10					

INSURING TITLE AMERICAN OUT-SWING FIXED CASEMENT IMPACT WOOD WINDOWS	MANUFACTURER FEETZ WINDOWS & DOORS 5783 S.W. 40TH STREET, FMB 220 MIAMI, FL 33155 305-665-0291
CONSULTANTS W. W. SCHAEFER ENGINEERING & CONSULTING, P.A. 8805 N. WALKER TRAIL, SUITE C-204 PALM BEACH GARDENS, FL 33410 PHONE: 561-775-4802 FAX: 561-776-4903	CERTIFICATION JUL 4 2005 W.D. 05-0622-02 Division By: [Signature] P.E.
DRAWING NO. 1322	SHEET NO. 5 OF 7



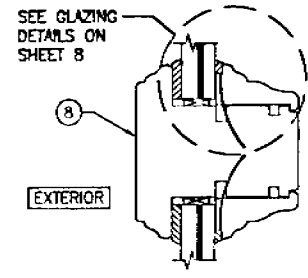
1/4" X 3 1/8" SCREW WITH FEMALE THREADED ADAPTOR WITHIN 7" OF CORNERS & MAX. 24" O.C.
 3/16" X 3/8" PRECOMPRESSED TAPE
 SECTION D1
 SCALE: 1/2 FULL

(SEE SECTION B1/5 FOR DETAILS NOT SHOWN)

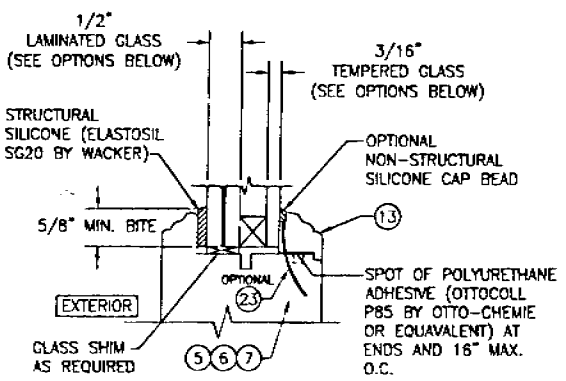


MANUFACTURER'S OPTION TO USE MULLION COVER
 1/4" X 3 1/8" SCREW WITH FEMALE THREADED ADAPTOR WITHIN 7" OF CORNERS & MAX. 24" O.C.
 3/16" X 3/8" PRECOMPRESSED TAPE
 SECTION D2
 SCALE: 1/2 FULL

(SEE SECTION B1/5 FOR DETAILS NOT SHOWN)

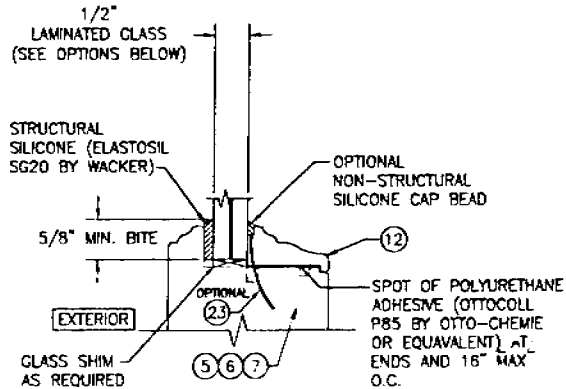


SEE GLAZING DETAILS ON SHEET 8
 SECTION E
 SCALE: 1/2 FULL



I.G. GLAZING DETAIL

GLASS OPTION: 1. 1/2" THICK SOLUTIA SAFLEX III LAMINATED OUTER GLASS (3/16" AN/0.09 SAFLEX III PVB/1/4" AN); 3/16" TEMPERED SINGLE PANE INNER GLASS & 1/2" AIR SPACE
 2. 1/2" THICK SOLUTIA VANCEVA LAMINATED OUTER GLASS (3/16" AN/0.075" VANCEVA/1/4" AN); 3/16" TEMPERED SINGLE PANE INNER GLASS & 1/2" AIR SPACE

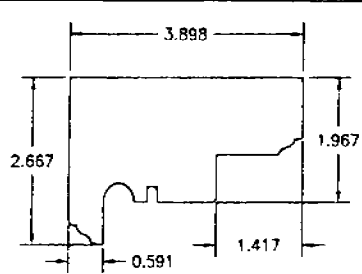


NON-I.G. GLAZING DETAIL

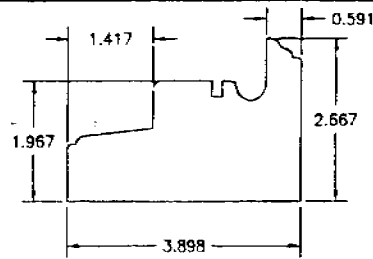
GLASS OPTION: 1. 1/2" THICK SOLUTIA SAFLEX III LAMINATED GLASS (3/16" AN/0.09 SAFLEX III PVB/1/4" AN)
 2. 1/2" THICK SOLUTIA VANCEVA LAMINATED GLASS (3/16" AN/0.075" VANCEVA/1/4" AN)

Approved as complying with the Florida Building Code
 Date: 7/1/05
 By: [Signature]
 W. W. Schaefer Engineering & Consulting, P.A.
 8805 N. Military Trail, Suite 0-204
 Palm Beach Gardens, FL 33410
 Phone: 561-775-4822 Fax: 561-775-4803

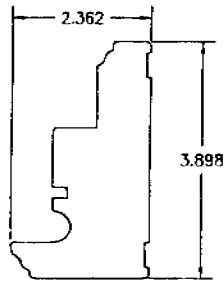
DRAWN BY S.L.R.	CHECKED BY E.S.S.
DATE 7/1/05	DATE 7/1/05
NO.	NO.
REVISION	DESCRIPTION
BY	DATE
DRAWING TITLE AMERICAN OUT-SWING FIXED CASEMENT IMPACT WOOD WINDOWS	
MANUFACTURER PEITZ WINDOWS & DOORS 5783 S.W. 40TH STREET, PMB 220 MIAMI, FL 33155 305-665-0291	CONSULTANTS W. W. SCHAEFER ENGINEERING & CONSULTING, P.A. 8805 N. MILITARY TRAIL, SUITE 0-204 PALM BEACH GARDENS, FL 33410 PHONE: 561-775-4822 FAX: 561-775-4803
CERTIFICATION JUL 1 4 2005	APPROVED BY [Signature] W. W. SCHAEFER, P.E. REGISTERED PROFESSIONAL ENGINEER NO. 44135
DRAWING NO. 1322	
SHEET NO. 8 OF 7	



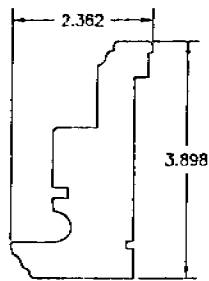
① HEAD AND SIDE JAMB



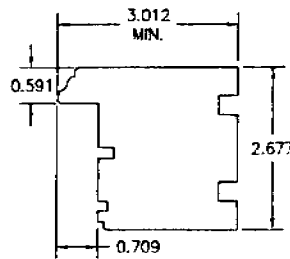
② SILL JAMB



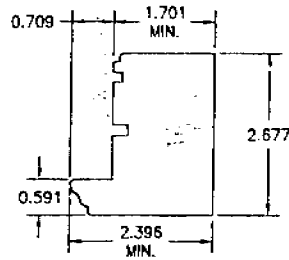
③ NON-REINFORCED MULLION JAMB



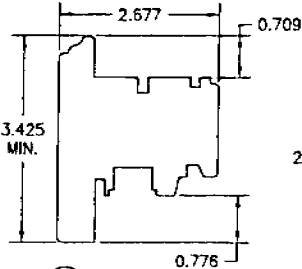
④ REINFORCED MULLION JAMB



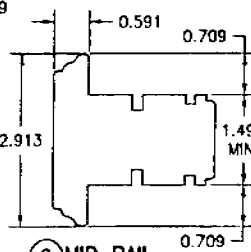
⑤ MEETING STYLE/ASTRAGAL (NON-REINFORCED ASTRAGAL)



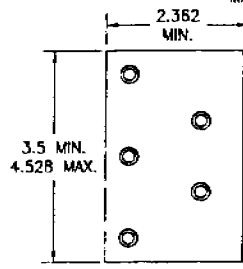
⑥ MEETING STYLE/ASTRAGAL (REINFORCED ASTRAGAL)



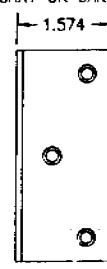
⑦ SASH



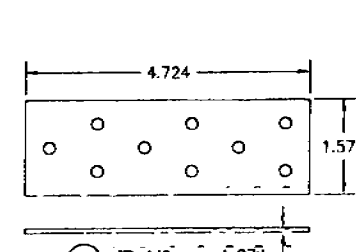
⑧ MID RAIL



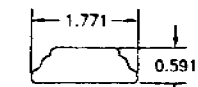
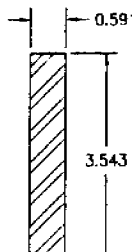
⑭ FRAME INSTALLATION CLIP



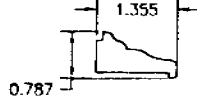
⑮ FRAME INSTALLATION BRACKET



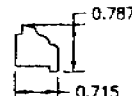
⑯ MULLION REINFORCEMENT



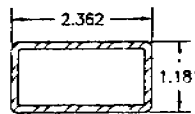
⑪ ASTRAGAL COVER



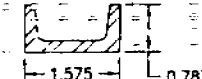
⑫ NON-I.G. GLAZING BEAD



⑬ I.G. GLAZING BEAD



⑰ ASTRAGAL REINFORCEMENT



⑱ MEETING STILE REINFORCEMENT

ITEM #	ITEM DESCRIPTION	MANUFACTURER/NOTES
PARTS		
1	HEAD AND SIDE JAMB	MAHOGANY
2	SILL JAMB	MAHOGANY
3	NON-REINFORCED MULLION JAMB	MAHOGANY
4	REINFORCED MULLION JAMB	MAHOGANY
5	MEETING STYLE/ASTRAGAL	MAHOGANY
6	MEETING STYLE/ASTRAGAL	MAHOGANY
7	SASH	MAHOGANY
8	MID RAIL	MAHOGANY
11	ASTRAGAL COVER	MAHOGANY
12	NON-I.G. GLAZING BEAD	MAHOGANY
13	I.G. GLAZING BEAD	MAHOGANY
14	FRAME INSTALLATION CLIP	GALVANIZED 34.1 KSI STEEL
15	FRAME INSTALLATION BRACKET	GALVANIZED 34.1 KSI STEEL
16	MULLION REINFORCEMENT	A36 STEEL (FY = 36 KSI)
17	ASTRAGAL REINFORCEMENT	36 KSI STEEL TUBE WITH 2" END SET BACK
18	MEETING STILE REINFORCEMENT	36 KSI STEEL CHANNEL
SEALS AND SEALANTS		
19	SWEEP	GTC EPDM
20	COMPRESSION SEAL	SCHLEGEL
FASTENERS		
22	.295" X 3 5/8" AMO III GALVANIZED STEEL SCREWS	5 1/2" FROM INTERIOR CORNERS & 14" O.C. (AT ASTRAGAL ENDS, PLACE ADDITIONAL SCREW 8 1/2" OFF CORNER @ HEAD & SILL)
23	OPTIONAL 18 GA. X 1 1/4" GALVANIZED CURVED NAIL	10" FROM CORNERS & 20" O.C. (NOT APPLICABLE WHEN PART 18 IS USED W/ SASH)
24	1/4" X 2 3/16" SCREW	WITHIN 6" OF INTERIOR CORNER & MAX. 14" O.C.

NOTE: MAHOGANY USED IN TESTING WAS MERANTI MAHOGANY. OTHER WOOD SPECIES APPLICABLE FOR USE WITH THIS PRODUCT ARE MERBAU, DOUSSIE, SIPO, SAPELLI, HONDURAS MAHOGANY OR OAK. ALL WOOD IS MINIMUM GRADE 2 MILLED BY PEETZ TO SELECT.

DRAWN BY: STA. PLOR.	CHECKED BY: W.S.
DATE: 5/17/05	DATE: 5/17/05
REVISION DESCRIPTION NO.	DATE
AMERICAN OUT-SWING FIXED CASEMENT IMPACT WOOD WINDOWS	
MANUFACTURER PEETZ WINDOWS & DOORS 5783 S.W. 40TH STREET, PMB 220 MIAMI, FL 33155 305-665-0291	
CONSULTANTS W. W. SCHAEFER ENGINEERING & CONSULTING, P.A. 5835 N. MILITARY TRAIL, SUITE 0-204 PALM BEACH GARDENS, FL 33410 PHONE: 561-775-1802 FAX: 561-775-4803	
CERTIFICATION JUL 14 2005 WAREHOUSE NO. 14138	APPROVED AS COMPLYING WITH THE Florida Building Code Door Details NADA 05-02-04 Impact-Resistant Product Catalog Division <i>[Signature]</i>
DRAWING NO. 1322	REV.
SHEET NO. 7 of 7	



BUILDING CODE COMPLIANCE OFFICE (BCCO)
PRODUCT CONTROL DIVISION

MIAMI-DADE COUNTY, FLORIDA
METRO-DADE FLAGLER BUILDING
140 WEST FLAGLER STREET, SUITE 1603
MIAMI, FLORIDA 33130-1563
(305) 375-2901 FAX (305) 375-2908

NOTICE OF ACCEPTANCE (NOA)

www.buildingcodeonline.com

Peeetz Windows and Doors, Inc.
5783 SW 40th Street PMB 220
Miami, FL 33155

B070 B300

SCOPE:

This NOA is being issued under the applicable rules and regulations governing the use of construction materials. The documentation submitted has been reviewed by Miami-Dade County Product Control Division and accepted by the Board of Rules and Appeals (BORA) to be used in Miami Dade County and other areas where allowed by the Authority Having Jurisdiction (AHJ).

This NOA shall not be valid after the expiration date stated below. The Miami-Dade County Product Control Division (In Miami Dade County) and/or the AHJ (in areas other than Miami Dade County) reserve the right to have this product or material tested for quality assurance purposes. If this product or material fails to perform in the accepted manner, the manufacturer will incur the expense of such testing and the AHJ may immediately revoke, modify, or suspend the use of such product or material within their jurisdiction. BORA reserves the right to revoke this acceptance, if it is determined by Miami-Dade County Product Control Division that this product or material fails to meet the requirements of the applicable building code.

This product is approved as described herein, and has been designed to comply with the Florida Building Code, including the High Velocity Hurricane Zone.

DESCRIPTION: "American Fixed Inswing Casement" Wood Fixed Windows -L.M.I.

APPROVAL DOCUMENT: Drawing No. 1322A, titled "American In-Swing Fixed Casement Impact Wood Windows", sheets 1 through 7 of 7, dated 04/04/05, prepared by W.W. Schaeffer Engineering & Consulting, P.A., signed and sealed by Warren W. Schaefer, P.E., bearing the Miami-Dade County Product Control Approval stamp with the Notice of Acceptance number and approval date by the Miami-Dade County Product Control Division.

MISSILE IMPACT RATING: Large and Small Missile Impact
LABELING: Each unit shall bear a permanent label with the manufacturer's name or logo, city, state and following statement: "Miami-Dade County Product Control Approved unless otherwise noted herein."

RENEWAL of this NOA shall be considered after renewal application has been filed and there has been no change in the applicable building code negatively affecting the performance of this product.

TERMINATION of this NOA will occur after the expiration date or if there has been a revision or change in the materials, use, and/or manufacture of the product or process. Misuse of this NOA as an endorsement of any product, for sales, advertising or any other purposes shall automatically terminate this NOA. Failure to comply with any section of this NOA shall be cause for termination and removal of NOA.

ADVERTISEMENT: The NOA number preceded by the words Miami-Dade County, Florida, and followed by the expiration date may be displayed in advertising literature. If any portion of this NOA is displayed, then it shall be done in its entirety.

INSPECTION: A copy of this entire NOA shall be provided to the manufacturer or its distributors and shall be available for inspection at the job site at the request of the Building Official.

This NOA consists of this page 1 and evidence pages E-1 and E-2, as well as approval documents mentioned above.

The submitted documentation was reviewed by Herminio F. Gonzalez, P.E., Director, BCCO

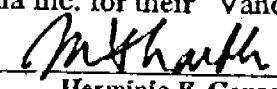


Handwritten signatures and dates: 7/23/2005, 1/11/02

NOA No 05-0622.05
Expiration Date: August 18, 2010
Approval Date: August 18, 2005

NOTICE OF ACCEPTANCE: EVIDENCE SUBMITTED

- A. DRAWINGS**
1. Manufacturer's die drawings and sections.
 2. Drawing No. 1322A, titled "American In-Swing Fixed Casement Impact Wood Windows", sheets 1 through 7 of 7, dated 04/04/05, prepared by W.W. Schaeffer Engineering & Consulting, P.A, signed and sealed by Warren W. Schaefer, P.E.
- B. TESTS**
1. Test reports on 1) Air Infiltration Test, per FBC, TAS 202-94
2) Uniform Static Air Pressure Test, Loading per FBC, TAS 202-94.
3) Water Resistance Test, per FBC, TAS 202-94
4) Large Missile Impact Test per FBC, TAS 201-94
5) Cyclic Wind Pressure Loading per FBC, TAS 203-94
6) Forced Entry Test, per FBC 2411 3.2.1 and TAS 202-94
along with the manufacturer's parts drawings, installation diagram and marked-up drawings of a inswing wood casement window prepared by Hurricane Test Laboratory, Inc. Test Report No. HTL-0284-0115-05, dated 06/03/05, signed and sealed by Vinu J. Abraham, P.E.
 2. Test reports on 1) Air Infiltration Test, per FBC, TAS 202-94
2) Uniform Static Air Pressure Test, Loading per FBC, TAS 202-94.
3) Water Resistance Test, per FBC, TAS 202-94.
4) Large Missile Impact Test per FBC, TAS 201-94
5) Cyclic Wind Pressure Loading per FBC, TAS 203-94
along with the manufacturer's parts drawings, installation diagram and marked-up drawings of a inswing wood casement window prepared by Hurricane Test Laboratory, Inc. Test Report No. HTL-0284-0116-05, dated 06/03/05, signed and sealed by Vinu J. Abraham, P.E.
- C. CALCULATIONS**
1. Anchor calculations and structural analysis, dated 04/0705, prepared by W.W. Schaeffer Engineering & Consulting, P.A., signed and sealed by Warren Schaeffer, P.E.
- D. QUALIFY ASSURANCE**
1. Miami Dade Building Code Compliance Office (BCCO).
- E. MATERIAL CERTIFICATIONS**
1. Notice of Acceptance No. 01-0205.02 issued to Solutia Inc. for their "Saflex /Keepsafe Maximum" dated 05/17/01, expiring on 05/21/06.
 2. Notice of Acceptance No. 03-0415.13 issued to Solutia Inc. for their "Vanceva Composites" dated 12/11/03, expiring on 12/11/08.

for 
Herminio F. Gonzalez, P.E.
Director, Building Code Compliance Office

NOA No 05-0622.05
Expiration Date: August 18, 2010
Approval Date: August 18, 2005

Pectz Windows and Doors, Inc.

NOTICE OF ACCEPTANCE: EVIDENCE SUBMITTED

F. STATEMENTS

1. Statement letter of conformance and no financial interest, dated June 10, 2005, signed and sealed by Warren Schaeffer, P.E.

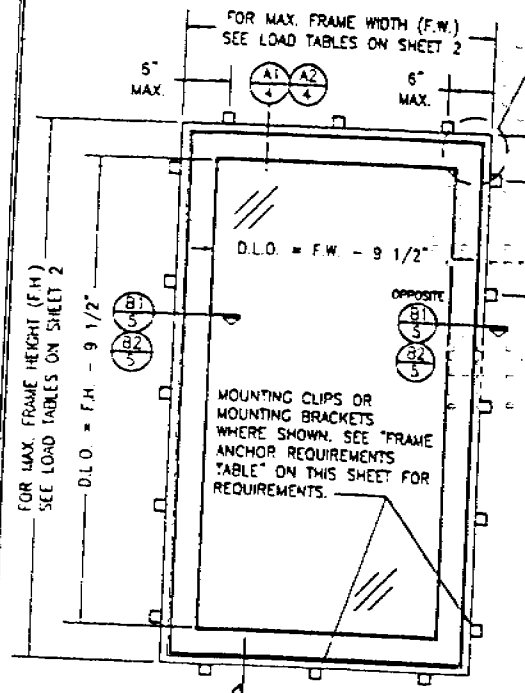
G. OTHER

1. Letter from consultant stating that the product is in compliance with the Florida Building Code (FBC).

for M. F. Gonzalez

Herminio F. Gonzalez, P.E.
Director, Building Code Compliance Office

NOA No 05-0622.05
Expiration Date: August 18, 2010
Approval Date: August 18, 2005



**INTERIOR ELEVATION
SINGLE FIXED WINDOW**
SCALE: N.T.S.

LONG DIMENSION OF WINDOW MAY BE HORIZONTAL OR VERTICAL (HEIGHT & WIDTH MAY BE INTERCHANGED).

GENERAL NOTES

1. THESE WINDOW SYSTEMS HAVE BEEN TESTED, ANALYZED AND APPROVED FOR DESIGN PRESSURES NOT TO EXCEED THOSE SHOWN IN THE "ALLOWABLE DESIGN LOADS" TABLE(S).
2. BUCKING, OPENINGS & BUCKING FASTENERS MUST BE PROPERLY DESIGNED & INSTALLED TO TRANSFER WIND LOADS TO THE STRUCTURE.
3. ALL HARDWARE & FASTENERS SHALL BE IN ACCORDANCE WITH THESE DRAWINGS & MAY NOT VARY UNLESS SPECIFICALLY MENTIONED ON THE DRAWINGS.
4. THE DETAILS & SPECIFICATIONS SHOWN HEREIN REPRESENT THE PRODUCTS TESTED & PROPOSED FOR WATER, AIR, IMPACT, CYCLIC & UNIFORM STATIC AIR PRESSURE TESTING IN CONFORMANCE WITH THE 2004 FLORIDA BUILDING CODE PROTOCOLS TAS-201, 202 & 203 FOR LARGE MISSILE IMPACT WINDOWS.
5. THESE WINDOW SYSTEMS HAVE BEEN DESIGNED IN ACCORDANCE WITH THE 2004 FLORIDA BUILDING CODE (FBC) INCLUDING HIGH VELOCITY HURRICANE ZONES (HVHZ).
6. IMPACT SHUTTERS ARE NOT REQUIRED WITH THESE WINDOWS.
7. ALL ANCHORS SHALL BE INSTALLED AS SPECIFIED ON THESE DRAWINGS, SPECIFIED EMBEDMENT TO BASE MATERIAL SHALL BE BEYOND WALL FINISH OR STUCCO.
8. ALL FRAME ANCHORS SECURING WINDOW FRAME TO PRESSURE TREATED BUCKS OR WOOD FRAMING SHALL BE CAPABLE OF RESISTING CORROSION CAUSED BY THE PRESSURE TREATING CHEMICALS IN THE WOOD.

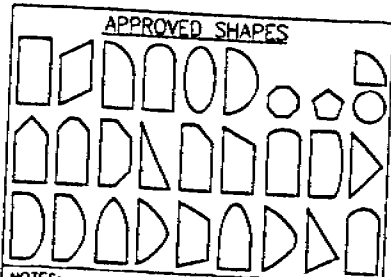
CORNER CONSTRUCTION:

JAMBS: COPEL, BUTTED TOGETHER, JOINED WITH 3 NO. 10 X 3 1/8" SCREWS & GLUED WITH BINDAN D4 OR EQUAL.
SASH: MULTI-FORKED, BUTTED & GLUED WITH BINDAN D4 OR EQUAL.

SEE "CORNER CONSTRUCTION" DESCRIPTION ON THIS SHEET.

16 MAX. T.C. (TYP. ALL SIDES)

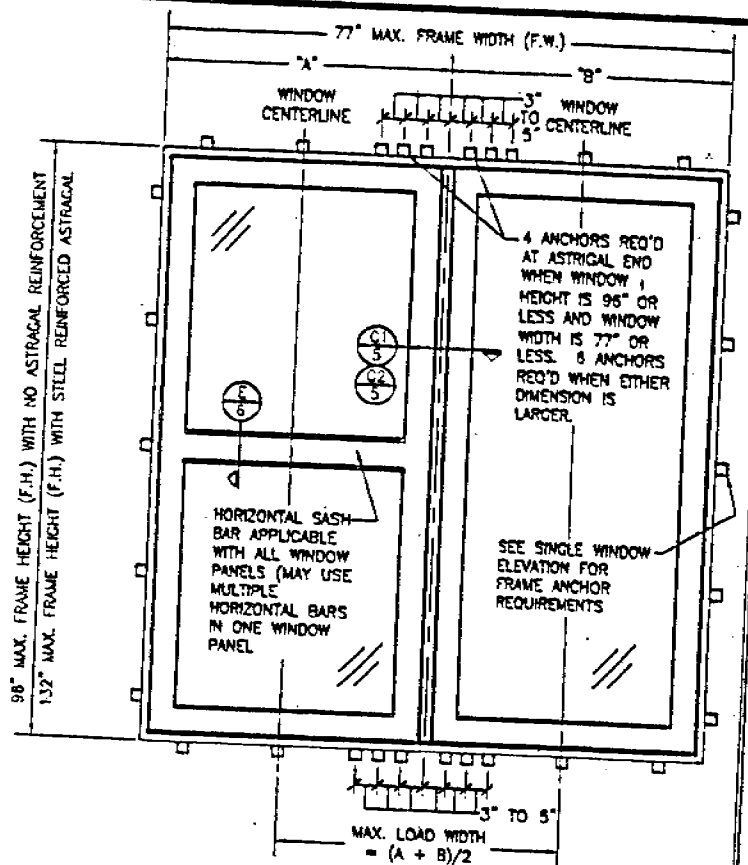
RECTANGULAR WINDOWS SHOWN. ANCHORING OF SHAPED WINDOWS IS THE SAME WITH REQUIRED ANCHOR SPACING ALONG THE FRAME CIRCUMFERENCE BEING THE SAME AS SPECIFIED FOR A STRAIGHT FRAME.



NOTES:
1. OTHER SHAPES MAY APPLY PROVIDED THEY ARE SIMILAR TO THOSE SHOWN & HAVE CORNER CONSTRUCTION AS DESCRIBED ON THIS SHEET.
2. ALL SHAPED UNITS MUST FIT INSIDED INTO THE ALLOWABLE RECTANGULAR LIMITS & BE GOVERNED BY THE ALLOWABLE PRESSURE OF THE RESPECTIVE RECTANGULAR UNIT.

FRAME ANCHOR REQUIREMENTS TABLE			
MOUNTING CLIP SCREWS			
OPENING TYPE (SUBSTRATE)	JAMB TO OPENING FASTENER TYPE	MINIMUM EMBED	MINIMUM EDGE DIST.
2X WOOD FRAME OR BUCK	NO. 8 X 1 1/2" SMS SCREWS	1 3/8"	1/2"
MIN. 1/8" THICK 36 KSI STEEL	NO. 8 SELF TAPPING SCREWS	FULL	1/2"
MOUNTING BRACKET SCREWS			
2X WOOD FRAME OR BUCK	NO. 8 X 1 1/2" SMS SCREWS	1 3/8"	1/2"
MIN. 15 GA. 33 KSI METAL STUD OR 36 KSI STRUCTURAL STEEL	NO. 8 SELF TAPPING SCREWS	FULL	1/2"

(1) CONCRETE SCREWS SHALL BE ELCO OR ITW RAMSET/RED HEAD TAPCONS OR HILTI KWIK-CON II (HARDENED STEEL OR S.S.).



**INTERIOR ELEVATION
DOUBLE FIXED WINDOW WITH ASTRAGAL**
SCALE: N.T.S.

SEE SINGLE WINDOW ELEVATION FOR WINDOW DETAIL NOT SHOWN

**ALLOWABLE DESIGN PRESSURE
(ALL CONDITIONS)**
SEE LOAD TABLES ON SHEET 2

Approved as complying with the Florida Building Code
Date: 05/12/05
NOAH 05-067-05
Miami-Dade Permit Control
Division: *[Signature]*

DRAWING NO. 1322A
SHEET NO. 1 of 7

DATE: *[Blank]*

REVISION DESCRIPTION: *[Blank]*

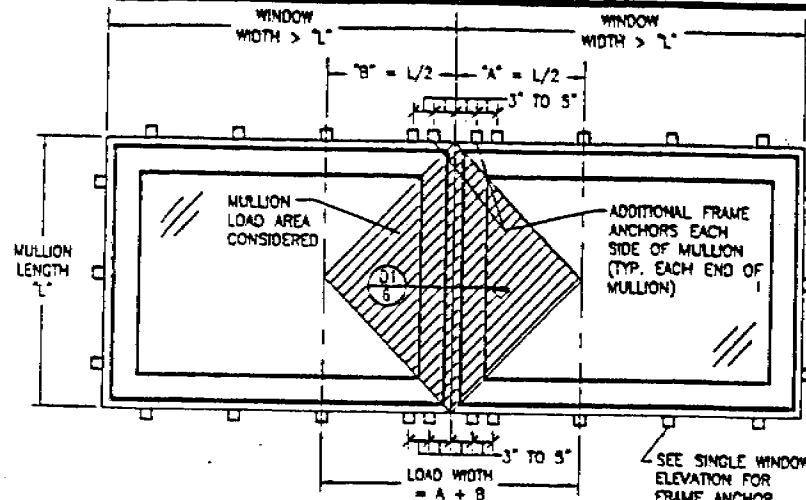
MANUFACTURER: AMERICAN IN-SWING FIXED CASEMENT IMPACT WOOD WINDOWS

CONSULTANT: W. W. SCHWARTZ ENGINEERING & CONSULTING, P.A.
805 N. WILLOW TRAIL SUITE 10-204
P.O. BOX 10000
MIAMI, FL 33118

DATE: JUL 24 2005

ALLOWABLE SINGLE WINDOW DESIGN PRESSURE					
MAXIMUM FRAME LONG DIMENSION (IN.)	MAXIMUM SHORT LONG DIMENSION (IN.)	ALLOWABLE PRESSURE (POS. & NEG. PSF)			
		WITH IG GLAZING		WITH NON-IG GLAZING	
		OPTION 1	OPTION 2	OPTION 1	OPTION 2
132	39	75.0	75.0	75.0	75.0
120	42	71.9	71.9	71.9	71.9
	36	75.0	75.0	75.0	75.0
108	48	68.8	68.8	65.2	65.2
	42	73.7	73.7	73.7	73.7
	36	75.0	75.0	75.0	75.0
96	54		64.2		64.2
	48	69.2	69.2	69.2	69.2
	42	75.0	75.0	75.0	75.0
	39	75.0	75.0	75.0	75.0
90	54		65.9		65.9
	48	72.8	72.8	72.8	72.8
	42	75.0	75.0	75.0	75.0
84	60		64.8		64.8
	54		68.0		68.0
	48	72.7	72.7	72.7	72.7
	44	75.0	75.0	75.0	75.0
78	66		65.5		65.5
	60		67.5		67.5
	54		70.8		70.8
	48	75.0	75.0	75.0	75.0
72	66		68.2		68.2
	60		71.2		71.2
	54	73.9	73.9	73.9	73.9
	52	75.0	75.0	75.0	75.0
66	48	75.0	75.0	75.0	75.0
	66		68.2		68.2
60	60	75.0	75.0	75.0	75.0
	60	75.0	75.0	75.0	75.0

NOTES:
 1. SEE GLAZING DETAILS FOR GLAZING OPTIONS
 2. CROSSED OUT BOXES DESIGNATE SIZES NOT ACCEPTABLE FOR THE RESPECTIVE CLASS OPTION.



INTERIOR ELEVATION
 FIXED WINDOW MULLION TO FIXED WINDOW WITH
 NON-REINFORCED MULLION WHEN WINDOW WIDTHS ARE
 GREATER THAN THE MULLION LENGTH
 (SEE MULLION LOAD TABLE)
 (MULTIPLE UNIT NOTES ON SHEET 3 SMALL APPLY)
 SEE SINGLE WINDOW ELEVATION FOR WINDOW DETAIL NOT SHOWN

FIXED ASTRIGAL ALLOWABLE LOAD TABLE			
MAXIMUM ASTRIGAL SPAN (IN.)	MAXIMUM LOAD WIDTH (IN.)	ALLOWABLE PRESSURE (POS. & NEG. PSF)	
		NON-REINFORCED ASTRIGAL	REINFORCED ASTRIGAL
		132	39
36	N/A		59.9
30	N/A		70.0
24	N/A		75.0
120	42	N/A	59.1
	39	N/A	62.7
	36	N/A	66.9
	30	N/A	75.0
108	48	N/A	60.9
	42	N/A	67.2
	39	N/A	71.2
	36	N/A	75.0
96	54	46.8	65.9
	48	51.5	71.1
	42	57.7	73.0
	39	61.8	75.0
	36	66.0	75.0
	30	75.0	75.0
90	54	54.0	72.2
	48	59.2	75.0
	42	66.3	75.0
	39	71.3	75.0
84	36	75.0	75.0
	60	59.3	75.0
	54	63.3	75.0
	48	69.0	75.0
78	42	75.0	75.0
	66	68.1	75.0
	54	70.9	75.0
	48	75.0	75.0
72	66	75.0	75.0
	66	75.0	75.0

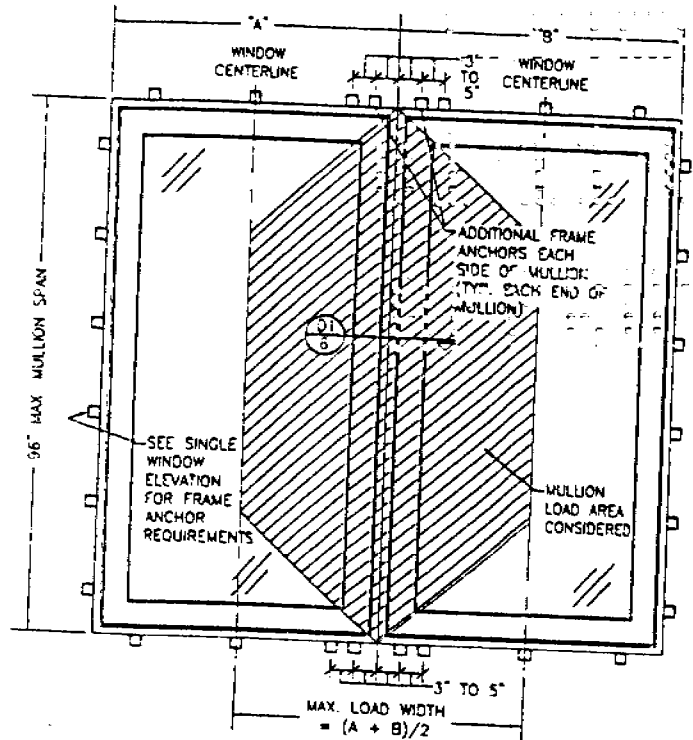
NON-REINFORCE ASTRIGAL SPAN MAY NOT EXCEED 96"

MULLION ALLOWABLE LOAD TABLE			
MAXIMUM MULLION SPAN (IN.)	MAXIMUM LOAD WIDTH (IN.)	ALLOWABLE PRESSURE (POS. & NEG. PSF)	
		NON-REINFORCED MULLION	REINFORCED MULLION
		132	39
120	42	N/A	75.0
108	48	N/A	75.0
96	54	53.2	75.0
	48	58.8	75.0
	42	65.5	75.0
	39	70.0	75.0
90	36	75.0	75.0
	54	61.3	75.0
	48	65.9	75.0
	42	72.1	75.0
84	39	75.0	75.0
	60	64.5	75.0
	54	67.9	75.0
	48	73.5	75.0
78	42	75.0	75.0
	66	70.3	75.0
	60	72.5	75.0
	54	75.0	75.0
72	66	75.0	75.0
	66	75.0	75.0

LESSER OF THE PRESSURE SHOWN IN THIS TABLE & THAT ALLOWED FOR THE INDIVIDUAL WINDOW SHALL CONTROL AS ALLOWABLE FOR THE OVERALL UNIT.
 NON-REINFORCE MULLION SPAN MAY NOT EXCEED 96"

Approved as complying with the Florida Building Code
 Date: 05/11/05
 NOA: 05-022-05
 Miami-Dade Building Control
 Division: *M. Shah*

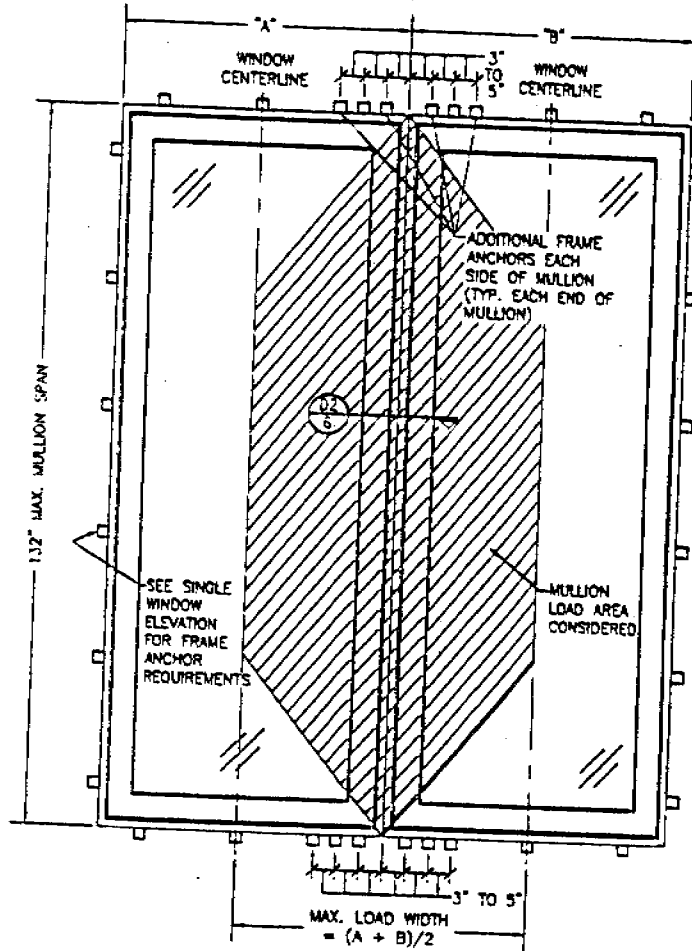
DATE	DATE	DATE	DATE
NO.	NO.	NO.	NO.
DESCRIPTION	DESCRIPTION	DESCRIPTION	DESCRIPTION
AMERICAN IN-SWING FIXED CASEMENT IMPACT WOOD WINDOWS			
MANUFACTURER	PELTZ WINDOWS & DOORS 5703 S.W. 40TH STREET, P.O. BOX 720 MIAMI, FL 33155		
DESIGNER	W. W. SCHAEFER ENGINEERING & CONSULTING, P.A. 1000 N. MIAMI AVE., SUITE 1200 MIAMI BEACH, FL 33139		
CERTIFICATION	JUL 11 2005		
DESIGN NO.	1322A		
SHEET NO.	2 of 7		



INTERIOR ELEVATION
 FIXED WINDOW MULLED TO FIXED WINDOW WITH
 NON-REINFORCED MULLION WHEN WINDOW WIDTHS ARE
 LESS THAN OR EQUAL TO THE MULLION LENGTH
 (SEE MULLION LOAD TABLE)
 SEE SINGLE WINDOW ELEVATION
 FOR WINDOW DETAIL NOT SHOWN

MULTIPLE UNIT NOTES:

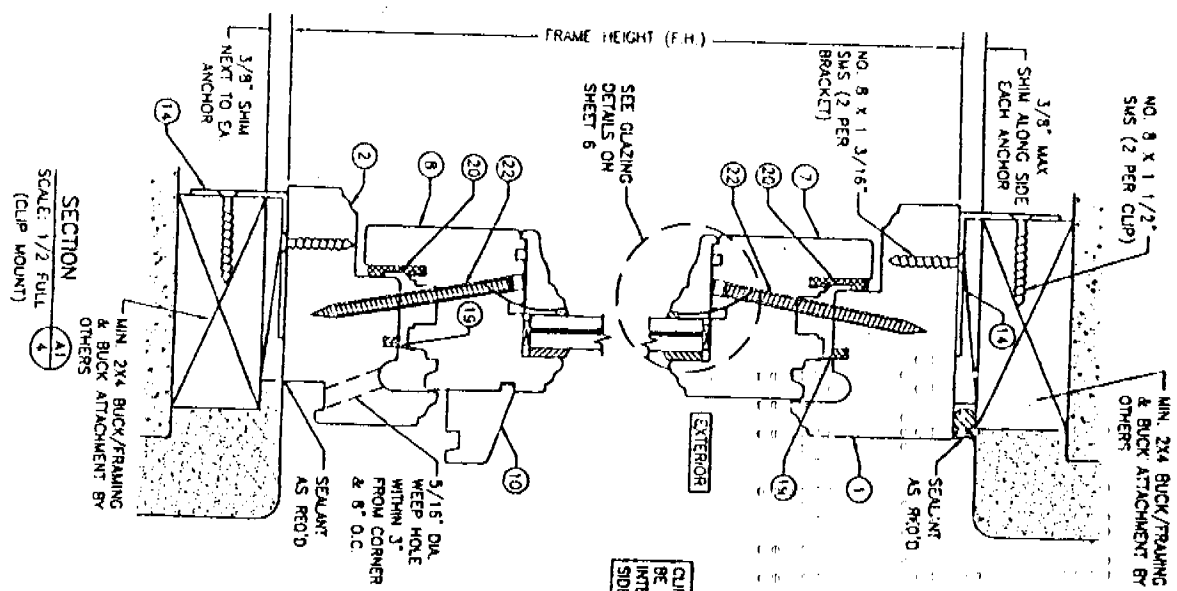
1. ALL WINDOWS ARE RESTRICTED BY THE DIMENSIONS SPECIFIED.
2. THE MAXIMUM ALLOWABLE PRESSURE FOR A COMBINED UNIT IS RESTRICTED BY THE LESSER OF THE INDIVIDUAL WINDOW ALLOWABLE PRESSURE OR THE ALLOWABLE MULLION PRESSURE. SEE LOAD TABLES ON SHEET 2.
3. WINDOWS MAY BE STACKED HORIZONTAL OR VERTICAL. (IF VERTICALLY STACKED, MANUFACTURER MUST INSURE THAT THE DEAD WEIGHT OF THE WINDOWS DOES NOT CAUSE ANY WINDOW FAILURES OR DEFORMATIONS)



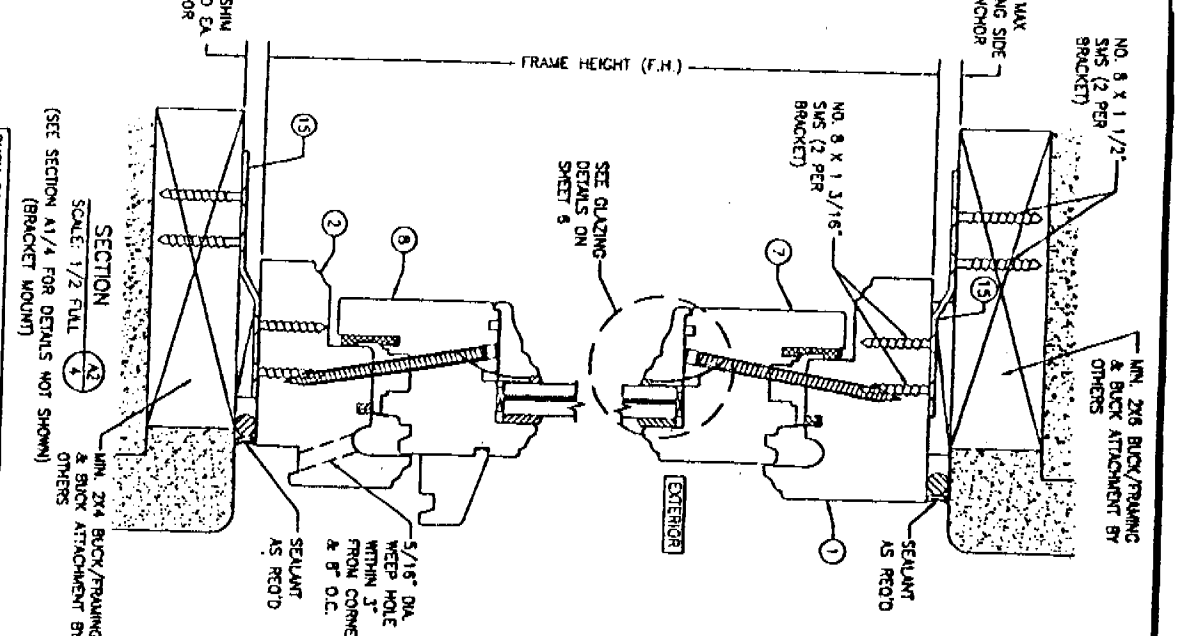
INTERIOR ELEVATION
 FIXED WINDOW MULLED TO FIXED WINDOW WITH
 REINFORCED MULLION
 (SEE MULLION LOAD TABLE)
 SEE SINGLE WINDOW ELEVATION
 FOR WINDOW DETAIL NOT SHOWN

Approved in conformity with the
 Florida Building Code
 Date: 07/12/05
 Name: [Signature]
 Title: Design Professional
 Division: [Signature]

DATE	
BY	
DESCRIPTION	
NO.	
DRAWING TITLE AMERICAN IN-SWING FIXED CASEMENT IMPACT WOOD WINDOWS	
CONSULTANT W. W. SCHAEFER ENGINEERING & CONSULTING, P.A. 5763 S.W. 40TH STREET, PMB 220 PALM BEACH GARDENS, FLORIDA 33418	
CERTIFICATION	
JUL 14 2005	
1322A	
SHEET NO.	3 of 7

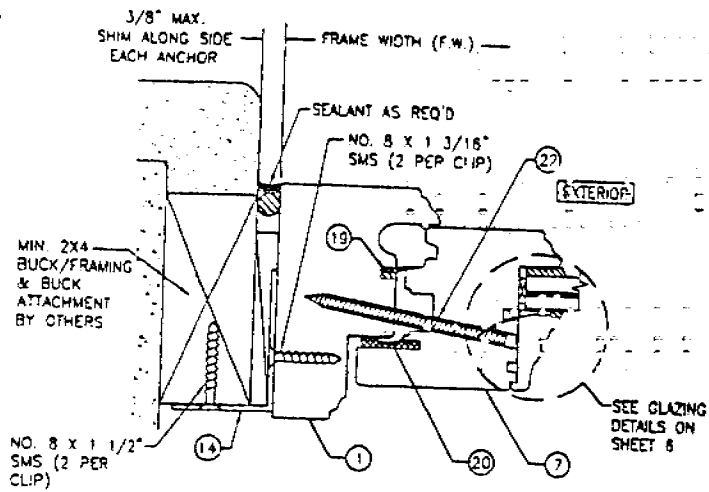


CLIPS & BRACKETS MAY BE POSITIONED AT THE INTERIOR OR EXTERIOR SIDE OF THE WINDOW.



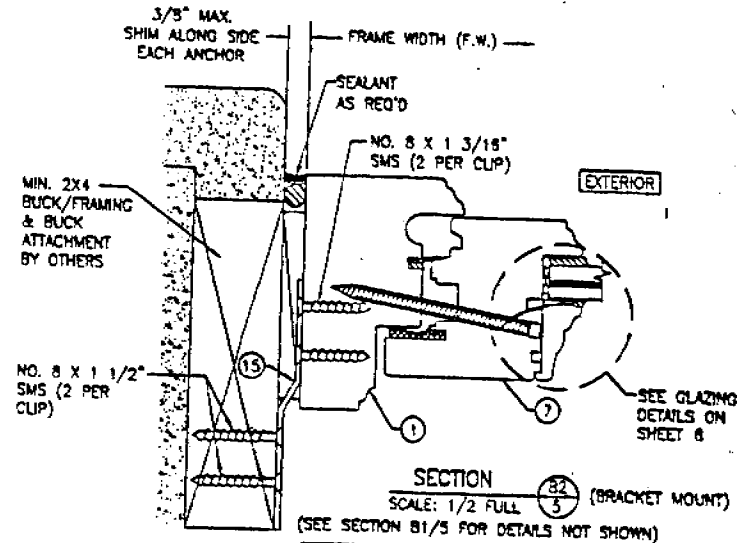
BUCK CONDITION SHOWN, METAL STUD OR STRUCTURAL STEEL SUBSTITUTES ALSO APPLY IN USE OF BUCKS PER FRAME ANCHOR REQUIREMENTS TABLE ON SHEET 1

CERTIFICATION JUL 14 2005 WARREN J. SCHAEFER, P.E. NO. 43112	DRAWING TITLE AMERICAN IN-SWING FIXED CASEMENT IMPACT WOOD WINDOWS	MANUFACTURER PEETZ WINDOWS & DOORS 5783 S.W. 40TH STREET, PMB 220 MIAMI, FL 33155
	CONSULTANTS W. W. SCHAEFER ENGINEERING & CONSULTING, P.A. 1038 N. MILITARY TRAIL, SUITE C-204 PALM BEACH GARDENS, FL 33410	NO. / REVISION DESCRIPTION / DATE

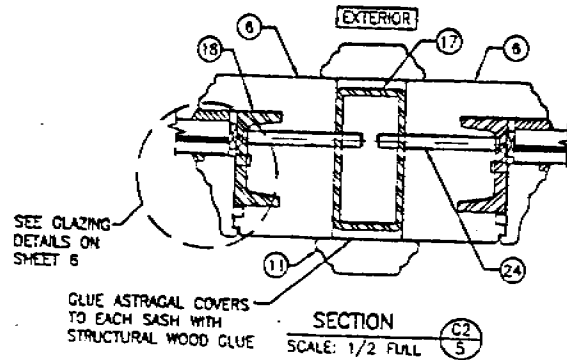
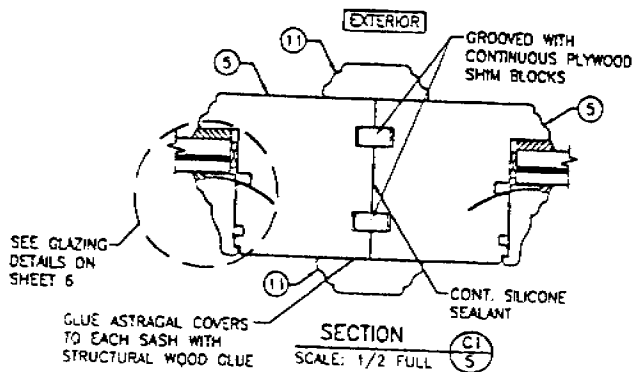


SECTION 81/5
SCALE: 1/2 FULL
(CLIP MOUNT)

CLIPS & BRACKETS MAY BE POSITIONED AT THE INTERIOR OR EXTERIOR SIDE OF THE WINDOW



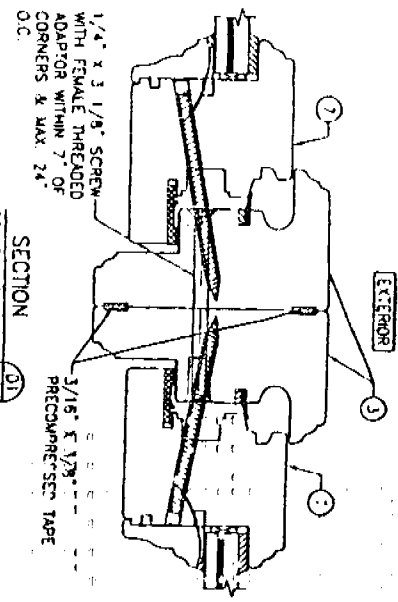
BUCK CONDITION SHOWN. METAL STUD OR STRUCTURAL STEEL SUBSTRATES ALSO APPLY IN LIEU OF BUCKS PER FRAME ANCHOR REQUIREMENTS TABLE ON SHEET 1



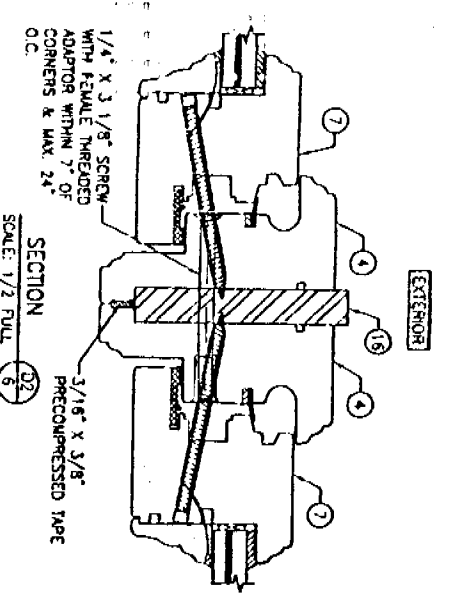
Approved as complying with the Florida Building Code
Date: *7/11/2005*
FPOA: *W. Schaefer Engineering*
Minimum-Angle Product Control
Division
By: *[Signature]*

DATE	BY	DESCRIPTION

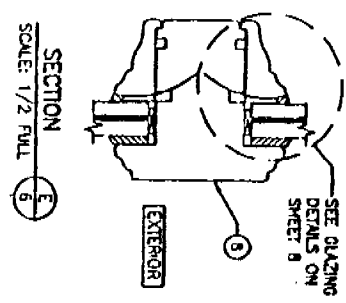
PROJECT TITLE	AMERICAN IN-SWING FIXED CASEMENT IMPACT WOOD WINDOWS
MANUFACTURER	HEETZ WINDOWS & DOORS
CONSULTANTS	W. W. SCHAEFER ENGINEERING & CONSULTING, P.A.
ADDRESS	5783 S.W. 40TH STREET, PMB 220 MIAMI FL 33149
CERTIFICATION	JUL 11 2005
DRAWING TITLE	1322A
SHEET NO.	5 of 7



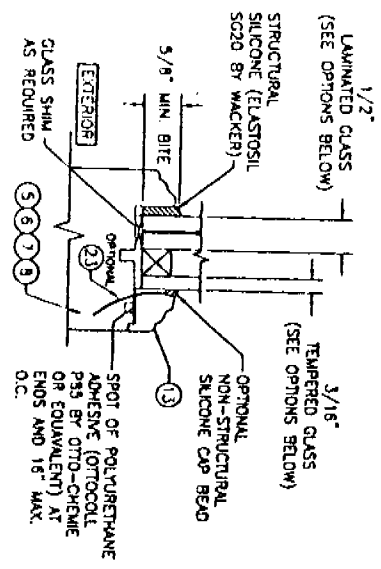
SECTION 91/5 (SEE SECTION 91/5 FOR DETAILS NOT SHOWN)



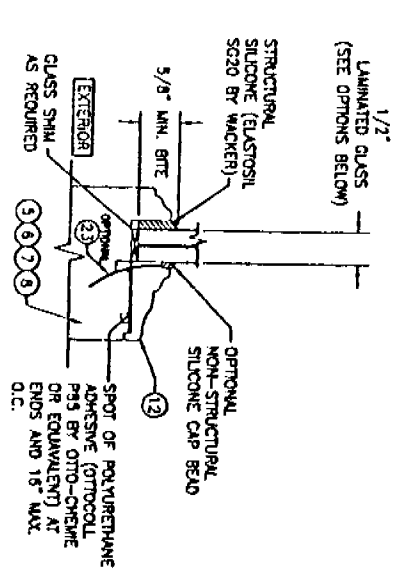
SECTION 81/5 (SEE SECTION 81/5 FOR DETAILS NOT SHOWN)



SECTION 8 (SEE GLAZING DETAILS ON SHEET B)



1/2\"/>



1/2\"/>

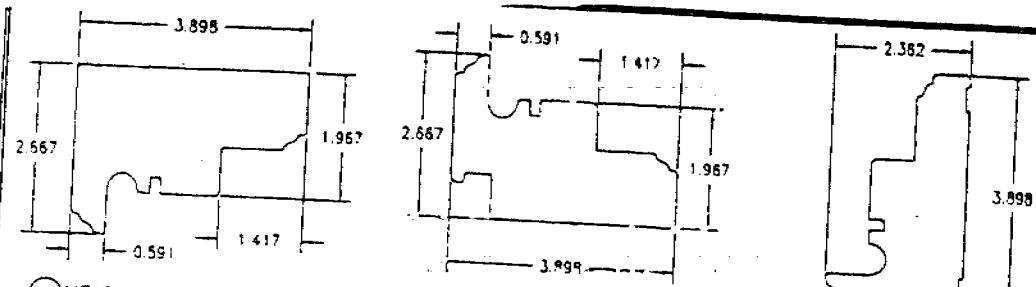
GLASS OPTION 1. 1/2" THICK SOLUTIA SAFLEX III LAMINATED OUTER GLASS (3/16" AN/D09 SAFLEX IIG PVB/1/4" AN) 3/16" TEMPERED SINGLE PANE INNER GLASS & 1/2" AIR SPACE
 2. 1/2" THICK SOLUTIA VANGCRA LAMINATED OUTER GLASS (3/16" AN/D075 VANGCRA/1/4" AN) 3/16" TEMPERED SINGLE PANE INNER GLASS & 1/2" AIR SPACE

GLASS OPTION 1. 1/2" THICK SOLUTIA SAFLEX III LAMINATED GLASS (3/16" AN/D09 SAFLEX IIG PVB/1/4" AN)
 2. 1/2" THICK SOLUTIA VANGCRA LAMINATED GLASS (3/16" AN/D075 VANGCRA/1/4" AN)

Approved as manufactured with the
 name of
 W. W. Schaefer Engineering & Consulting, P.A.
 5783 S.W. 40th Street, P.M.B. 220
 Miami, FL 33155
 Date: 7/14/2005
 W. W. Schaefer, P.E.

NO.	REVISION DESCRIPTION	BY	DATE

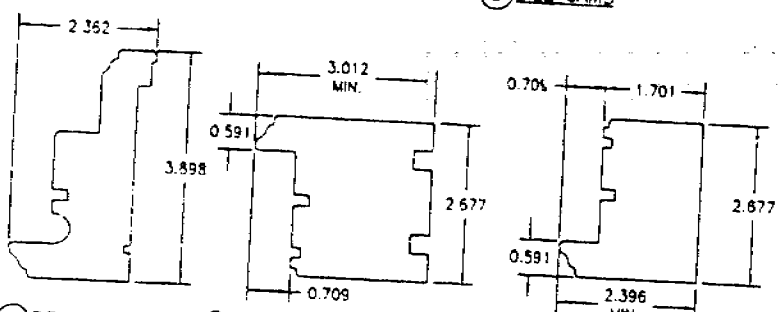
CERTIFICATION JUL 14 2005 W. W. SCHAEFER, P.E. 4413X		CONSULTANTS W. W. SCHAEFER ENGINEERING & CONSULTING, P.A. 5783 S.W. 40TH STREET, P.M.B. 220 MIAMI BEACH, FLORIDA 33155 PHONE: 305-754-1234		MANUFACTURER PEETZ WINDOWS & DOORS 5783 S.W. 40TH STREET, P.M.B. 220 MIAMI, FL 33155	
--	--	---	--	--	--



① HEAD AND SIDE JAMB

② SILL JAMB

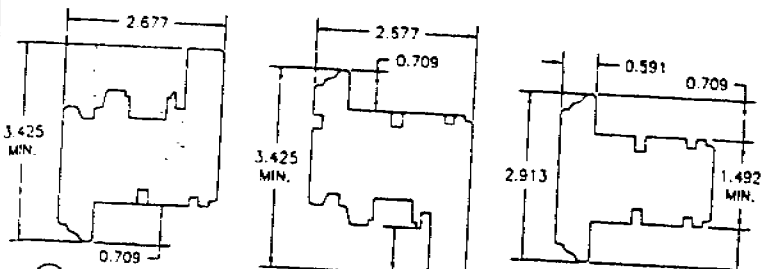
③ NON-REINFORCED MULLION JAMB



④ REINFORCED MULLION JAMB

⑤ MEETING STYLE/ASTRAGAL (NON-REINFORCED ASTRAGAL)

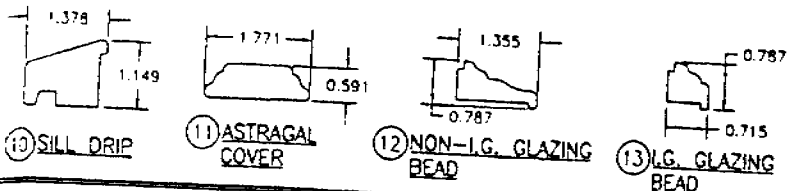
⑥ MEETING STYLE/ASTRAGAL (REINFORCED ASTRAGAL)



⑦ HEAD AND SIDE SASH

⑧ SILL SASH

⑨ MID RAIL



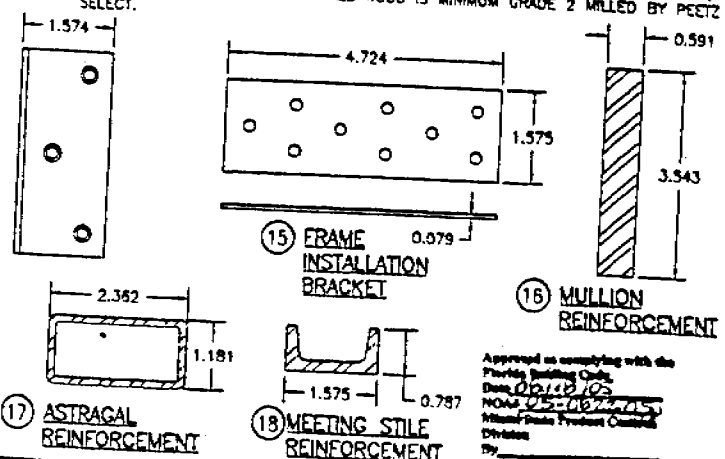
⑩ SILL DRIP

⑪ ASTRAGAL COVER

⑫ NON-I.G. GLAZING BEAD

⑬ I.G. GLAZING BEAD

⑭ FRAME INSTALLATION CLIP



⑮ FRAME INSTALLATION BRACKET

⑯ MULLION REINFORCEMENT

⑰ ASTRAGAL REINFORCEMENT

⑱ MEETING STYLE REINFORCEMENT

ITEM #	ITEM DESCRIPTION	MANUFACTURER/NOTES
PARTS		
1	HEAD AND SIDE JAMB	MAHOGANY
2	SILL JAMB	MAHOGANY
3	NON-REINFORCED MULLION JAMB	MAHOGANY
4	REINFORCED MULLION JAMB	MAHOGANY
5	MEETING STYLE/ASTRAGAL	MAHOGANY
6	MEETING STYLE/ASTRAGAL	MAHOGANY
7	HEAD AND SIDE SASH	MAHOGANY
8	SILL SASH	MAHOGANY
9	MID RAIL	MAHOGANY
10	SILL DRIP	MAHOGANY
11	ASTRAGAL COVER	MAHOGANY
12	NON-I.G. GLAZING BEAD	MAHOGANY
13	I.G. GLAZING BEAD	MAHOGANY
14	FRAME INSTALLATION CLIP	GALVANIZED 34.1 KSI STEEL
15	FRAME INSTALLATION BRACKET	GALVANIZED 34.1 KSI STEEL
16	MULLION REINFORCEMENT	A36 STEEL (FY = 36 KSI)
17	ASTRAGAL REINFORCEMENT	36 KSI STEEL TUBE WITH 2" END SET BACK
18	MEETING STYLE REINFORCEMENT	36 KSI STEEL CHANNEL
SEALS AND SEALANTS		
19	SWEEP	GTC EPDM
20	COMPRESSION SEAL	SCHLEGEL
FASTENERS		
22	.295" x 3 5/8" AMO IN GALVANIZED STEEL SCREWS	5 1/2" FROM INTERIOR CORNERS & 14" O.C. (AT ASTRAGAL ENDS, PLACE ADDITIONAL SCREW 5 1/2" OFF CORNER @ HEAD & SILL)
23	OPTIONAL 18 GA. x 1 1/4" GALVANIZED CURVED NAIL	10" FROM CORNERS & 20" O.C. (NOT APPLICABLE WHEN PART 18 IS USED W/ SASH)
24	1/4" x 2 3/16" SCREW	WITHIN 6" OF INTERIOR CORNER & MAX. 14" O.C.

NOTE: MAHOGANY USED IN TESTING WAS MERANTI MAHOGANY. OTHER WOOD SPECIES APPLICABLE FOR USE WITH THIS PRODUCT ARE MERBAU, DOUSSIE, SIPO, SAPELLI, HONDURAS MAHOGANY OR OAK. ALL WOOD IS MINIMUM GRADE 2 MILLED BY PEITZ TO SELECT.

Approved as complying with the Florida Building Code
 Date: 07/13/05
 Name: [Signature]
 Title: [Signature]
 Division: [Signature]
 By: [Signature]

DRAWING TITLE: AMERICAN IN-SWING FIXED CASEMENT IMPACT WOOD WINDOWS
 CONSULTANT: W. W. SCHAEFER ENGINEERING & CONSULTING, P.A.
 ADDRESS: 5703 S.W. 40TH STREET, PMB 220, MIAMI FL 33149
 DATE: 07-13-05
 SHEET NO. 7 OF 7
 PROJECT: PEITZ WINDOWS & DOORS



BUILDING CODE COMPLIANCE OFFICE (BCCO)
PRODUCT CONTROL DIVISION

MIAMI-DADE COUNTY, FLORIDA
METRO-DADE FLAGLER BUILDING
140 WEST FLAGLER STREET, SUITE 1603
MIAMI, FLORIDA 33130-1563
(305) 375-2901 FAX (305) 375-2908

NOTICE OF ACCEPTANCE (NOA)

www.buildingcodeonline.com

Peez Windows and Doors, Inc.
5783 SW 40th Street PMB 220
Miami, FL 33155

BO-701360

SCOPE:

This NOA is being issued under the applicable rules and regulations governing the use of construction materials. The documentation submitted has been reviewed by Miami-Dade County Product Control Division and accepted by the Board of Rules and Appeals (BORA) to be used in Miami Dade County and other areas where allowed by the Authority Having Jurisdiction (AHJ).

This NOA shall not be valid after the expiration date stated below. The Miami-Dade County Product Control Division (In Miami Dade County) and/or the AHJ (in areas other than Miami Dade County) reserve the right to have this product or material tested for quality assurance purposes. If this product or material fails to perform in the accepted manner, the manufacturer will incur the expense of such testing and the AHJ may immediately revoke, modify, or suspend the use of such product or material within their jurisdiction. BORA reserves the right to revoke this acceptance, if it is determined by Miami-Dade County Product Control Division that this product or material fails to meet the requirements of the applicable building code.

This product is approved as described herein, and has been designed to comply with the Florida Building Code, including the High Velocity Hurricane Zone.

DESCRIPTION: American Inswing Wood Casement Window

APPROVAL DOCUMENT: Drawing No. 1320A, titled "American Inswing Casement Impact Wood Windows", sheets 1 through 10 of 10, dated 03/18/05, prepared by Schaeffer Engineering & Consulting, P.A., signed and sealed by Warren W. Schaefer, P.E., bearing the Miami-Dade County Product Control stamp with the Notice of Acceptance number and approval date.

MISSILE IMPACT RATING: Large and Small Missile Impact

LABELING: Each unit shall bear a permanent label with the manufacturer's name, logo, city, state and following statement: "Miami-Dade County Product Control Approved" and there has been no

RENEWAL of this NOA shall be considered after a renewal application has been filed with the Building Code Compliance Office and there has been no change in the applicable building code negatively affecting the performance of this NOA.

TERMINATION of this NOA will occur after the expiration date if there has been a change in the materials, use, and/or manufacture of the product or process. Misuse of this NOA for advertising or any other purposes shall automatically terminate this NOA. Failure to comply with any section of this NOA shall be cause for termination and removal of this NOA.

ADVERTISEMENT: The NOA number preceded by the words Miami-Dade County, Florida and followed by the expiration date may be displayed in advertising literature. If any portion of this NOA is displayed, then it shall be done in its entirety.

INSPECTION: A copy of this entire NOA shall be provided to the user by the manufacturer or its distributors and shall be available for inspection at the job site at the request of the Building Official.

This NOA consists of this page 1 and evidence pages E-1 and E-2, as well as approval document mentioned above.

The submitted documentation was reviewed by Herminio F. Gonzalez, P.E., Director, BCCO



7/29/05
[Signature]
1/11/02

NOA No 05-0622.07
Expiration Date: August 18, 2010
Approval Date: August 18, 2005
Page 1

Peetz Windows and Doors, Inc.

NOTICE OF ACCEPTANCE: EVIDENCE SUBMITTED

A. DRAWINGS

1. Manufacturer's die drawings and sections.
2. Drawing No. 1320A, titled "American In-Swing Casement Impact Wood Windows", sheets 1 through 10 of 10, dated 03/18/05, prepared by W.W. Schaeffer Engineering & Consulting, P.A, signed and sealed by Warren W. Schaefer, P.E.

B. TESTS

1. Test reports on 1) Air Infiltration Test, per FBC, TAS 202-94
2) Uniform Static Air Pressure Test, Loading per FBC, TAS 202-94.
3) Water Resistance Test, per FBC, TAS 202-94.
4) Large Missile Impact Test per FBC, TAS 201-94
5) Cyclic Wind Pressure Loading per FBC, TAS 203-94
6) Forced Entry Test, per FBC 2411 3.2.1 and TAS 202-94

along with the manufacturer's parts drawings, installation diagram and marked-up drawings of a inswing wood casement window prepared by Hurricane Test Laboratory, Inc. Test Report No. HTL-0284-1018-04, dated 06/03/05, signed and sealed by Vinu J. Abraham, P.E.

2. Test reports on 1) Air Infiltration Test, per FBC, TAS 202-94
2) Uniform Static Air Pressure Test, Loading per FBC, TAS 202-94.
3) Water Resistance Test, per FBC, TAS 202-94.
4) Large Missile Impact Test per FBC, TAS 201-94
5) Cyclic Wind Pressure Loading per FBC, TAS 203-94
6) Forced Entry Test, per FBC 2411 3.2.1 and TAS 202-94

along with the manufacturer's parts drawings, installation diagram and marked-up drawings of a inswing wood casement window prepared by Hurricane Test Laboratory, Inc. Test Report No. HTL-0284-0115-05, dated 06/03/05, signed and sealed by Vinu J. Abraham, P.E.

3. Test reports on 1) Air Infiltration Test, per FBC, TAS 202-94
2) Uniform Static Air Pressure Test, Loading per FBC, TAS 202-94.
3) Water Resistance Test, per FBC, TAS 202-94.
4) Large Missile Impact Test per FBC, TAS 201-94
5) Cyclic Wind Pressure Loading per FBC, TAS 203-94

along with the manufacturer's parts drawings, installation diagram and marked-up drawings of a inswing wood casement window prepared by Hurricane Test Laboratory, Inc. Test Report No. HTL-0284-0116-05, dated 06/03/05, signed and sealed by Vinu J. Abraham, P.E.

for Mthack

Herminio F. Gonzalez, P.E.
Director, Building Code Compliance Office

NOA No 05-0622.07


Expiration Date: August 18, 2010

Approval Date: August 18, 2005

Peetz Windows and Doors, Inc.

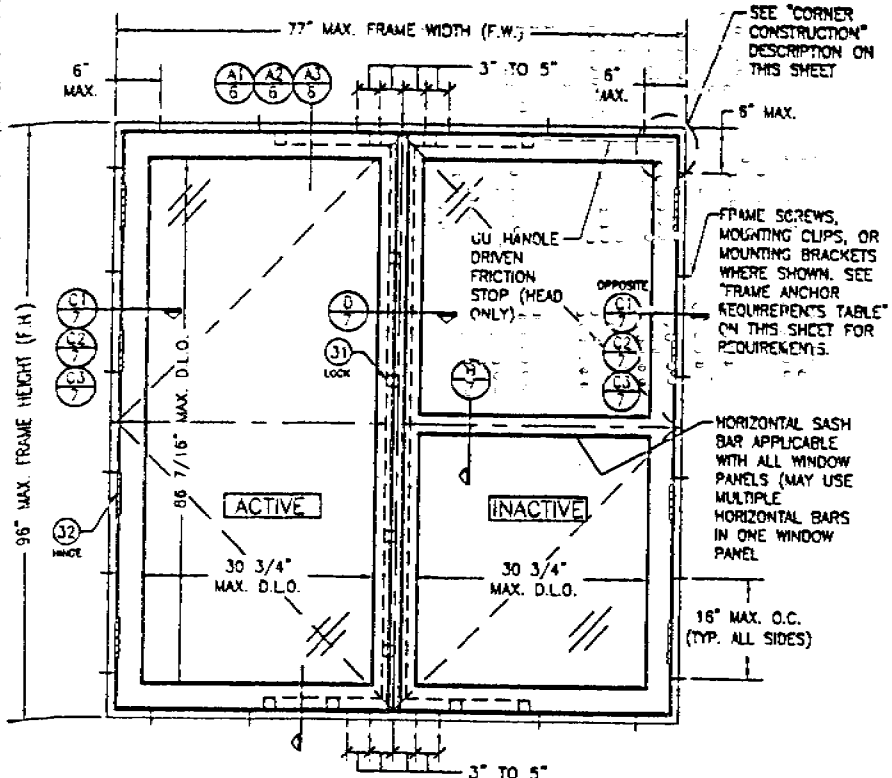
NOTICE OF ACCEPTANCE: EVIDENCE SUBMITTED

- C. CALCULATIONS**
1. Anchor calculations and structural analysis, dated 04/12/05, prepared by W.W. Schaeffer Engineering & Consulting, P.A., signed and sealed by Warren Schaeffer, P.E.
- D. QUALITY ASSURANCE**
1. Miami Dade Building Code Compliance Office (BCCO).
- E. MATERIAL CERTIFICATIONS**
1. Notice of Acceptance No. 01-0205.02 issued to Solutia Inc. for their "Safflex /Keepsafe Maximum" dated 05/17/01, expiring on 05/21/06.
 2. Notice of Acceptance No. 03-0415.13 issued to Solutia Inc. for their "Vanceva Composites" dated 12/11/03, expiring on 12/11/08.
- F. STATEMENTS**
1. Statement letter of conformance and no financial interest, dated June 10, 2005, signed and sealed by Warren Schaeffer, P.E.
- G. OTHER**
1. Letter from consultant stating that the product is in compliance with the Florida Building Code (FBC).



Herminio F. Gonzalez, P.E.
Director, Building Code Compliance Office

NOA No 05-0622.07
Expiration Date: August 18, 2010
Approval Date: August 18, 2005



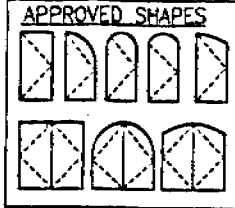
INTERIOR ELEVATION
DOUBLE RECTANGULAR HINGED WINDOW UNIT
(FOR TILT-TURN CONDITION, SEE ELEVATION ON SHEET 3)
SCALE: N.T.S.

GENERAL NOTES

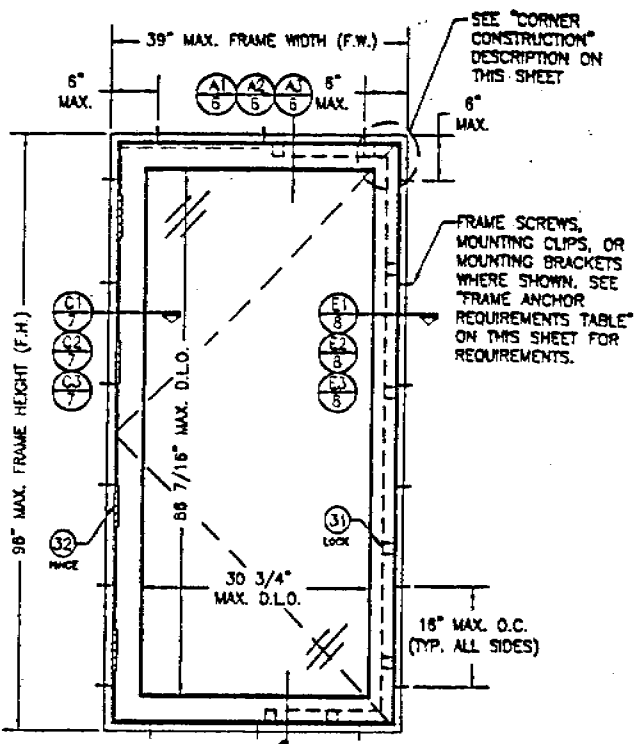
1. THESE WINDOW SYSTEMS HAVE BEEN TESTED, ANALYZED AND APPROVED FOR DESIGN PRESSURES NOT TO EXCEED THOSE SHOWN IN THE "ALLOWABLE DESIGN LOADS" TABLE(S).
2. BUICKING, OPENINGS & BUICKING FASTENERS MUST BE PROPERLY DESIGNED & INSTALLED TO TRANSFER WIND LOADS TO THE STRUCTURE.
3. ALL HARDWARE & FASTENERS SHALL BE IN ACCORDANCE WITH THESE DRAWINGS & MAY VARY UNLESS SPECIFICALLY MENTIONED ON THE DRAWINGS.
4. THE DETAILS & SPECIFICATIONS SHOWN HEREIN REPRESENT THE PRODUCTS TESTED & PROPOSED FOR WATER, AIR, IMPACT, CYCLIC & UNIFORM STATIC AIR PRESSURE TESTING IN CONFORMANCE WITH THE 2004 FLORIDA BUILDING CODE PROTOCOLS TAS-204, 202 & 203 FOR LARGE MISSILE IMPACT WINDOWS.
5. THESE WINDOW SYSTEMS HAVE BEEN DESIGNED IN ACCORDANCE WITH THE 2004 FLORIDA BUILDING CODE (FBC) INCLUDING HIGH VELOCITY HURRICANE ZONES (HVHZ).
6. IMPACT SHUTTERS ARE NOT REQUIRED WITH THESE WINDOWS.
7. ALL ANCHORS SHALL BE INSTALLED AS SPECIFIED ON THESE DRAWINGS. SPECIFIED EMBEDMENT TO BASE MATERIAL SHALL BE BEYOND WALL FINISH OR STUCCO.
8. ALL FRAME ANCHORS SECURING WINDOW FRAME TO PRESSURE TREATED BUICKS OR WOOD FRAMING SHALL BE CAPABLE OF RESISTING CORROSION CAUSED BY THE PRESSURE TREATING CHEMICALS IN THE WOOD.

CORNER CONSTRUCTION:

JAMBS, COPED, BUTTED TOGETHER, JOINED WITH 3 NO. 10 X 3 1/8" SCREWS & GLUED WITH BONDAN D4 OR EQUAL.
SASH: MULTI-FORKED, BUTTED & GLUED WITH BONDAN D4 OR EQUAL.



NOTES:
1. OTHER SHAPES MAY APPLY PROVIDED THEY ARE SIMILAR TO THOSE SHOWN & HAVE CORNER CONSTRUCTION AS DESCRIBED ON THIS SHEET.
2. ALL SHAPED UNITS MUST FIT INCISED INTO THE ALLOWABLE RECTANGULAR UNITS & BE GOVERNED BY THE ALLOWABLE PRESSURE OF THE RESPECTIVE RECTANGULAR UNIT.



INTERIOR ELEVATION
SINGLE RECTANGULAR HINGED WINDOW UNIT
(FOR TILT-TURN CONDITION, SEE ELEVATION ON SHEET 3)
SCALE: N.T.S.

FRAME ANCHOR REQUIREMENTS TABLE			
SHEAR SCREWS			
OPENING TYPE (SUBSTRATE)	JAMB TO OPENING FASTENER TYPE	MINIMUM EMBED	MINIMUM EDGE DIST.
2X WOOD FRAME OR BUICK	NO. 14 SMS SCREW	1 1/4"	3/4"
CMU/CONCRETE	(1) 1/4" CONCRETE SCREW	1 1/4"	2"
MIN. 18 GA. 33 KSI METAL STUD OR 36 KSI STRUCTURAL STEEL	NO. 14 SELF TAPPING SCREWS	FULL	1/2"
MOUNTING CLIP SCREWS			
2X WOOD FRAME OR BUICK	NO. 8 X 1 1/2" SMS SCREWS	1 3/8"	1/2"
MIN. 1/8" THICK 36 KSI STEEL	NO. 8 SELF TAPPING SCREWS	FULL	1/2"
MOUNTING BRACKET SCREWS			
2X WOOD FRAME OR BUICK	NO. 8 X 1 1/2" SMS SCREWS	1 3/8"	1/2"
MIN. 18 GA. 33 KSI METAL STUD OR 36 KSI STRUCTURAL STEEL	NO. 8 SELF TAPPING SCREWS	FULL	1/2"

(1) CONCRETE SCREWS SHALL BE ELCO OR ITW RAMSET/RED HEAD TAPCONS OR MILTI KWIK-CON II (HARDENED STEEL OR S.S.).

ALLOWABLE DESIGN PRESSURE
(SINGLE, DOUBLE & TRANSOM MULLED WINDOWS)
+/- 70 PSF
FOR VERTICAL MULLION ALLOWABLE PRESSURE, SEE MULLION LOAD TABLE ON SHEET 4

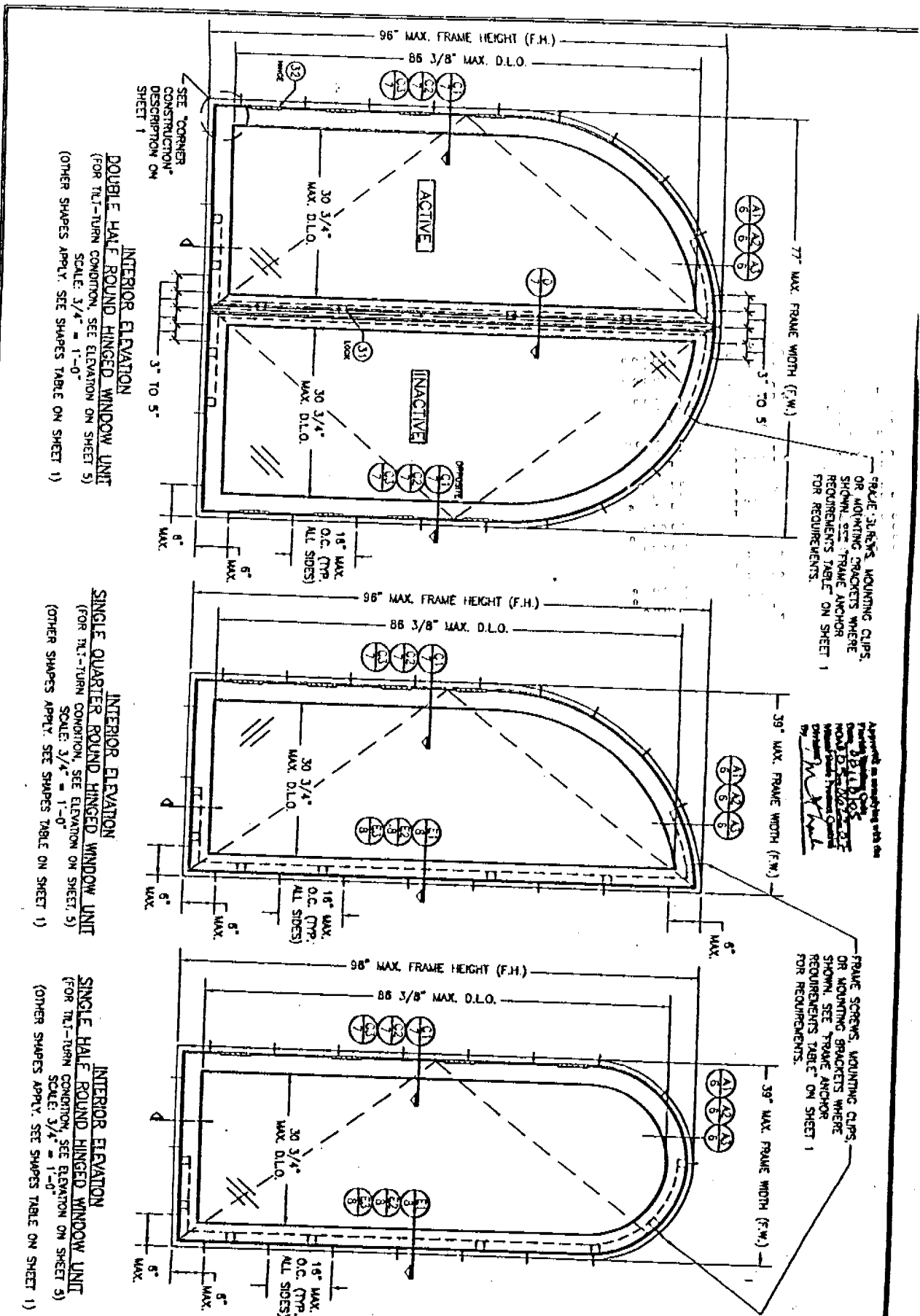
Approved as complying with the Florida Building Code
Date: 08/12/05
Walter Schaefer
Division: P.E.
By: M. Schaefer

DATE	BY	DESCRIPTION

AMERICAN IN-SWING CASEMENT IMPACT WOOD WINDOWS
MANUFACTURED BY
FEITZ WINDOWS & DOORS
5783 S.W. 40TH STREET, PMB 220
MIAMI, FL 33155
305-442-7018

CONSULTANTS
W. W. SCHAEFER ENGINEERING & CONSULTING, P.A.
DANIEL W. SCHAEFER, LICENSED PROFESSIONAL ENGINEER, No. 33418
PALM BEACH GARDENS, FL 33418
PHONE: 561-775-4800 FAX: 561-775-4841

CERTIFICATION
JUL 14 2005
DRAWING NO. 1320A
SHEET NO. 1 OF 10



DOUBLE HALF ROUND HINGED WINDOW UNIT
 (FOR TILT-TURN CONDITION, SEE ELEVATION ON SHEET 5)
 SCALE: 3/4" = 1'-0"
 (OTHER SHAPES APPLY. SEE SHAPES TABLE ON SHEET 1)

SINGLE QUARTER ROUND HINGED WINDOW UNIT
 (FOR TILT-TURN CONDITION, SEE ELEVATION ON SHEET 5)
 SCALE: 3/4" = 1'-0"
 (OTHER SHAPES APPLY. SEE SHAPES TABLE ON SHEET 1)

SINGLE HALF ROUND HINGED WINDOW UNIT
 (FOR TILT-TURN CONDITION, SEE ELEVATION ON SHEET 5)
 SCALE: 3/4" = 1'-0"
 (OTHER SHAPES APPLY. SEE SHAPES TABLE ON SHEET 1)

CERTIFICATION
 JUL 14 2005
 W. W. SCHAEFER, P.E.
 1320A
 SHEET NO. 2 of 10

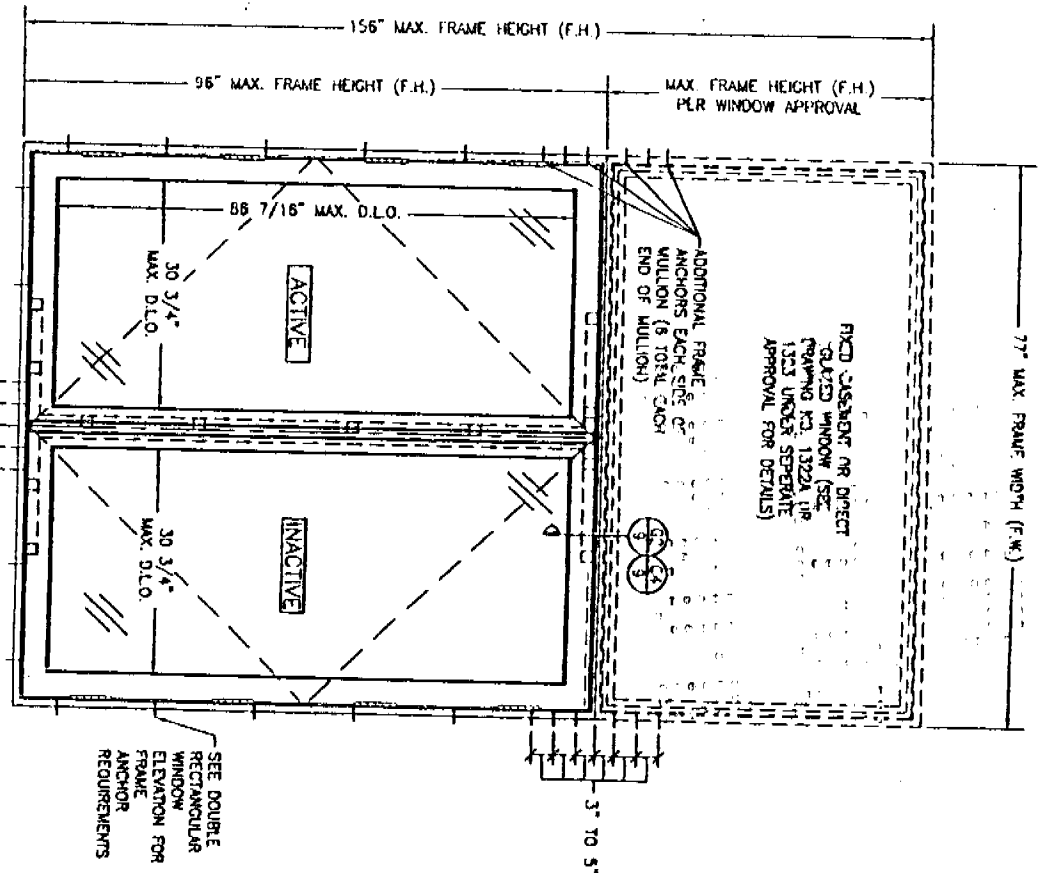
DRAWING TITLE
 AMERICAN IN-SWING CASEMENT IMPACT WOOD WINDOWS

CONSULTANTS
 W. W. SCHAEFER ENGINEERING & CONSULTING, P.A.
 4825 N. MILITARY TRAIL, SUITE C-204
 PALM BEACH GARDENS, FL 33410
 PHONE: 561-778-4802 FAX: 561-778-4803

MANUFACTURER
 PEETZ WINDOWS & DOORS
 5783 S.W. 40TH STREET, PMB 220
 MIAMI, FL 33155
 305-668-0000

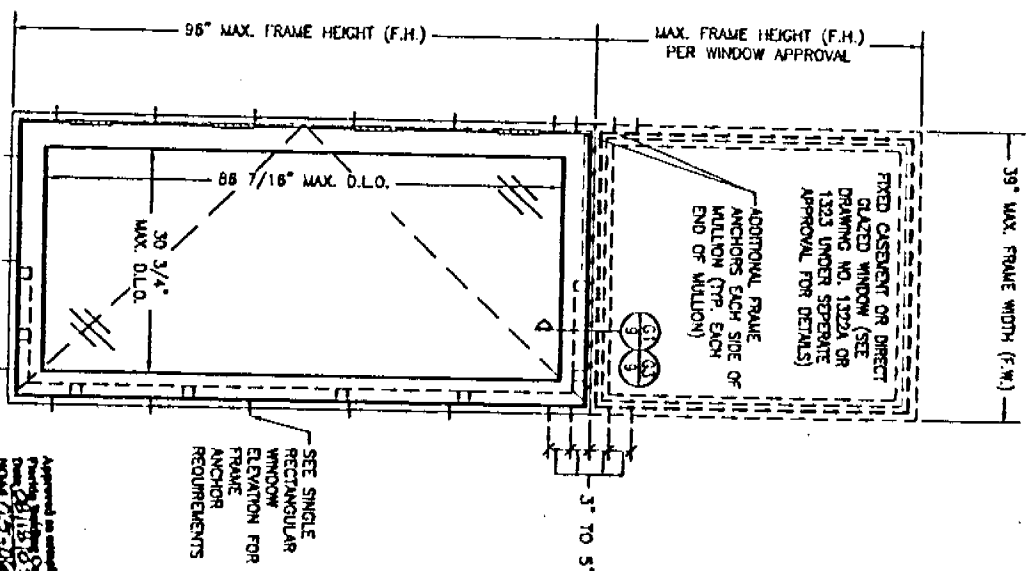
NO.	REVISION DESCRIPTION	BY	DATE

INTERIOR ELEVATION
 DOUBLE WINDOW UNIT WITH TRANSOM
 (HINGED WINDOW SHOWN TILT-TURN ALSO APPLIES)
 SCALE: N.T.S.
 SEE DOUBLE RECTANGULAR WINDOW ELEVATION FOR WINDOW DETAIL NOT SHOWN



SEE DOUBLE RECTANGULAR WINDOW ELEVATION FOR FRAME ANCHOR REQUIREMENTS

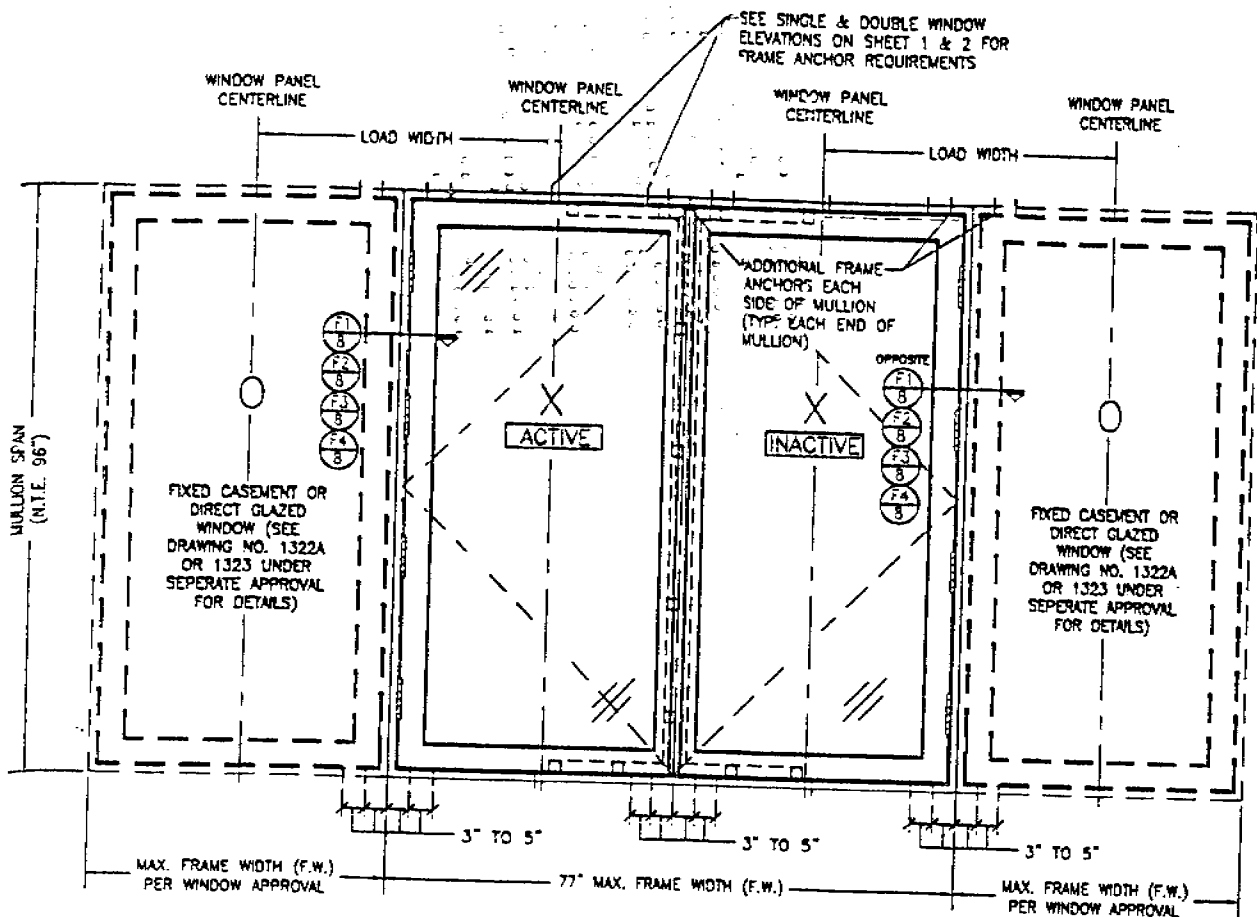
INTERIOR ELEVATION
 SINGLE WINDOW UNIT WITH TRANSOM
 (HINGED WINDOW SHOWN TILT-TURN ALSO APPLIES)
 SCALE: N.T.S.
 SEE SINGLE RECTANGULAR WINDOW ELEVATION FOR WINDOW DETAIL NOT SHOWN



SEE SINGLE RECTANGULAR WINDOW ELEVATION FOR FRAME ANCHOR REQUIREMENTS

Approved as complying with the Florida Building Code, Chapter 6, Part 905, Section 905.10, and the Miami-Dade County Code, Chapter 22A, Section 22A-10.01, by the Building Official.

DRAWING TITLE AMERICAN IN-SWING CASEMENT IMPACT WOOD WINDOWS	CONSULTANTS W. W. SCHAEFER ENGINEERING & CONSULTING, P.A. 8845 N. MILITARY TRAIL, SUITE C-204 PALM BEACH GARDENS, FL 33418 PHONE 561-726-2000 FAX 561-726-2001		MANUFACTURER FEITZ WINDOWS & DOORS 5783 S.W. 40TH STREET; PMB 220 MIAMI, FL 33155	
	DRAWING NO. 1320A	SHEET NO. 3 of 10	DATE JUL 14 2005	PROJECT NO. 1320A



SEE SINGLE & DOUBLE WINDOW ELEVATIONS ON SHEET 1 & 2 FOR FRAME ANCHOR REQUIREMENTS

WINDOW PANEL CENTERLINE
LOAD WIDTH
WINDOW PANEL CENTERLINE
LOAD WIDTH
WINDOW PANEL CENTERLINE
WINDOW PANEL CENTERLINE

ADDITIONAL FRAME ANCHORS EACH SIDE OF MULLION (TYPE EACH END OF MULLION)

- OPPOSITE
- (1)
- (2)
- (3)
- (4)
- (5)
- (6)
- (7)
- (8)

FIXED CASEMENT OR DIRECT GLAZED WINDOW (SEE DRAWING NO. 1322A OR 1323 UNDER SEPERATE APPROVAL FOR DETAILS)

FIXED CASEMENT OR DIRECT GLAZED WINDOW (SEE DRAWING NO. 1322A OR 1323 UNDER SEPERATE APPROVAL FOR DETAILS)

MAX. FRAME WIDTH (F.W.) PER WINDOW APPROVAL

77" MAX. FRAME WIDTH (F.W.)

MAX. FRAME WIDTH (F.W.) PER WINDOW APPROVAL

INTERIOR ELEVATION
DOUBLE WINDOW UNIT WITH SIDELITES
(HINGED WINDOW SHOWN. TILT-TURN ALSO APPLIES)
SCALE: N.T.S.

SEE DOUBLE & SINGLE WINDOW ELEVATIONS FOR DETAIL NOT SHOWN
(OXXO UNIT SHOWN. ALL OTHER FIXED/OPERABLE COMBINATIONS ALSO APPLY WITH THE MULLION CONDITIONS SHOWN.)

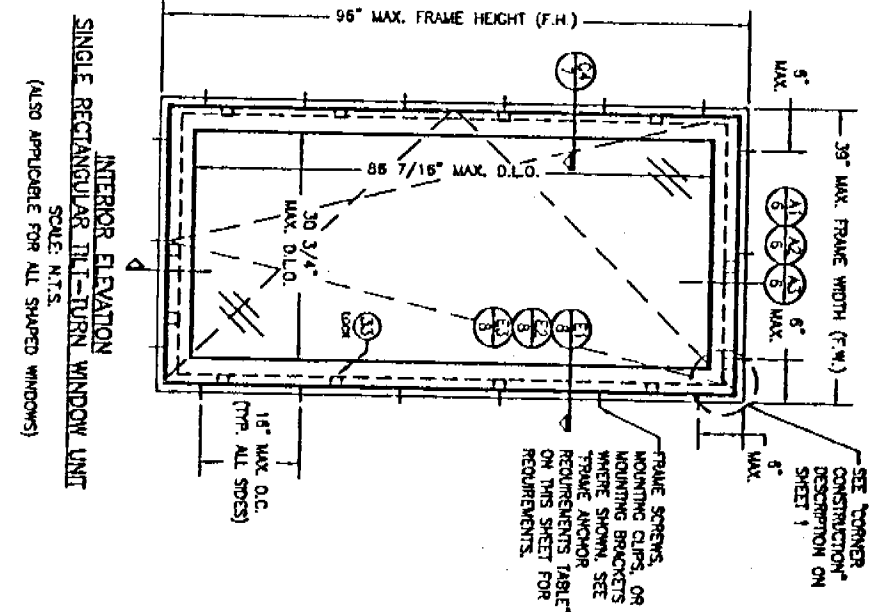
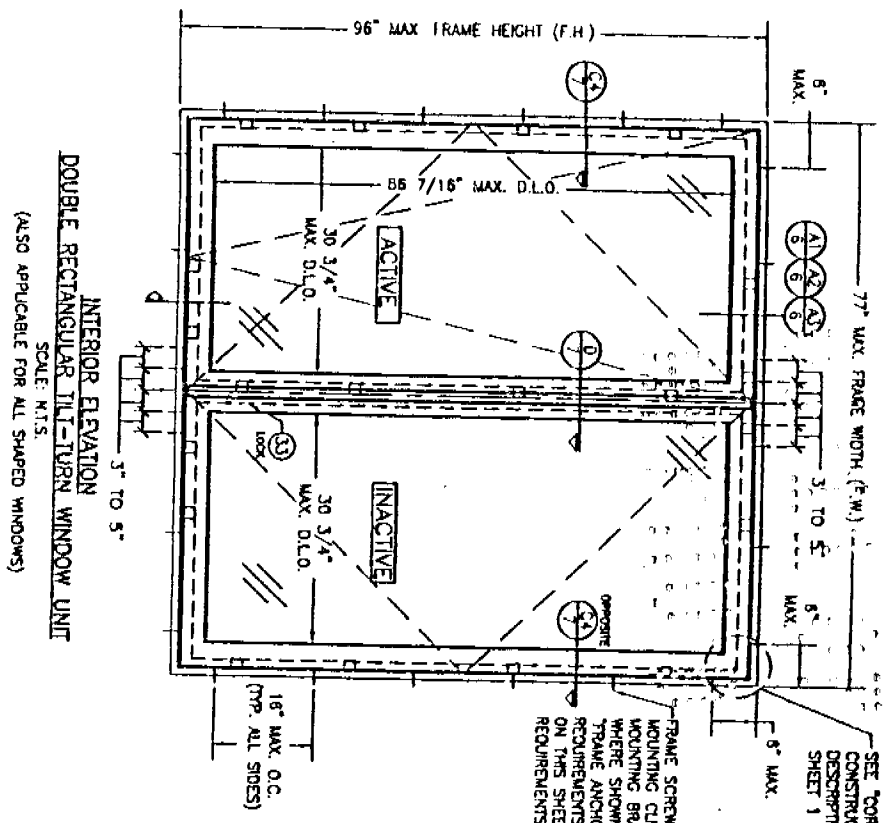
MAXIMUM MULLION SPAN (IN.)	MAXIMUM LOAD WIDTH (IN.)	ALLOWABLE PRESSURE (POS. & NEG. PSF)	
		NON-REINFORCED MULLION	REINFORCED MULLION
		96	54
	48	40.2	56.6
	42	44.9	63.5
	39	48.0	70.0
	36	51.0	75.0
	30	59.8	75.0
	24	71.0	75.0
	22	75.0	75.0
90	54	42.1	61.3
	48	46.2	65.9
	42	51.8	72.1
	39	56.4	75.0
	36	57.7	75.0
	30	66.5	75.0
	24	75.0	75.0
84	54	49.1	67.9
	48	53.7	72.5
	42	58.5	75.0
	39	61.5	75.0
	36	65.1	75.0
	30	75.0	75.0
78	54	59.4	75.0
	48	63.1	75.0
	42	68.1	75.0
	39	71.7	75.0
	36	75.0	75.0
72	54	72.9	75.0
	48	75.0	75.0
66	54	75.0	75.0

LESSER OF THE PRESSURE SHOWN IN THIS TABLE & THAT ALLOWED FOR THE INDIVIDUAL WINDOW SHALL CONTROL AS ALLOWABLE FOR THE OVERALL UNIT.

Approved as complying with the Florida Building Code
Date: 08/11/05
W. W. SCHAEFER
Miami-Dade, Broward, Orange
Divisions
By: *W. W. Schaefer*

DATE	REV.

DRAWING TITLE: AMERICAN IN-SWING CASEMENT IMPACT WOOD WINDOWS
 MANUFACTURER: FELTZ WINDOWS & DOORS
 5783 S.W. 40TH STREET, PUB 220
 MIAMI, FL 33155
 305-665-0781
 CONSULTANTS: W. W. SCHAEFER ENGINEERING & CONSULTING, P.A.
 1000 N. UNIVERSITY BLVD., SUITE C-304
 PALM BEACH GARDENS, FL 33410
 PHONE: 381-7718-1908 FAX: 381-7718-1903
 REGISTERED PROFESSIONAL ENGINEER
 W. W. SCHAEFER, P.E.
 No. 10213
 STATE OF FLORIDA
 JUL 15 2005
 DRAWING NO.: 1320A
 SHEET NO.: 4 OF 10

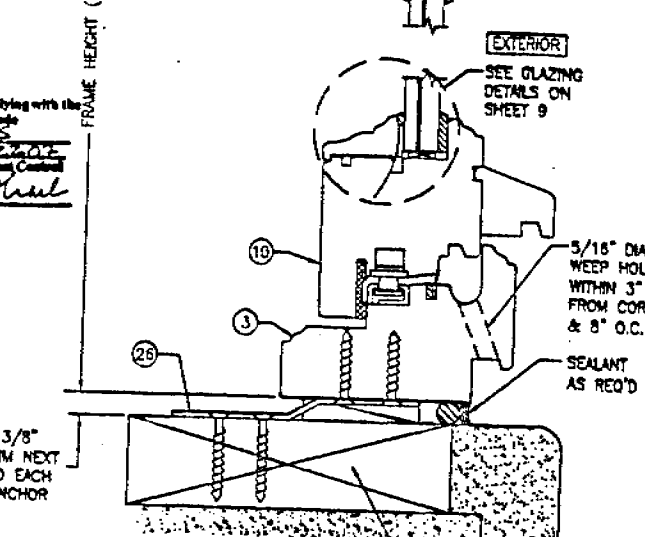
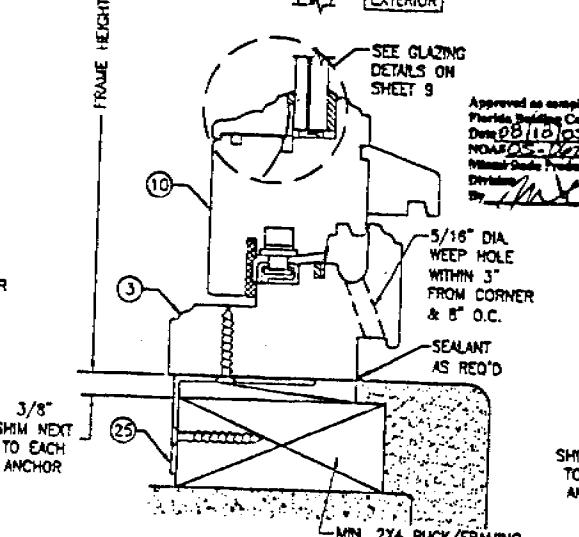
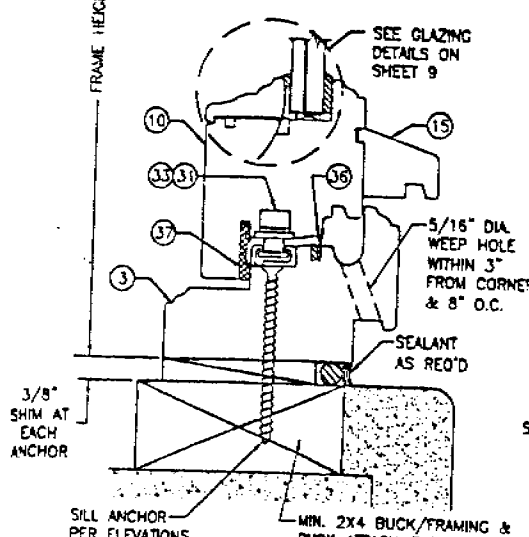
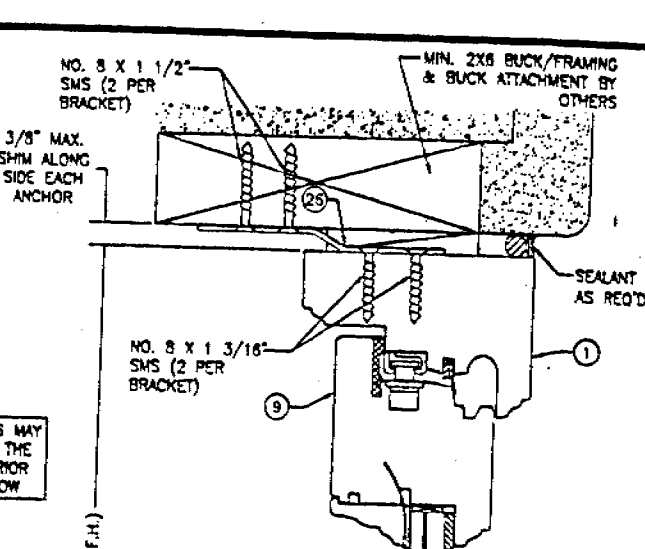
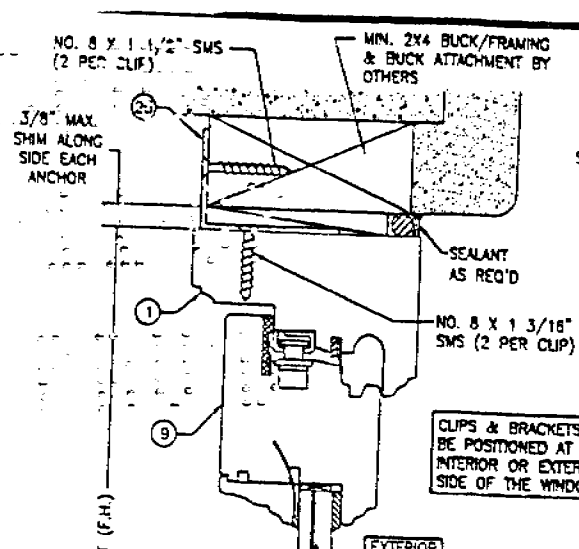
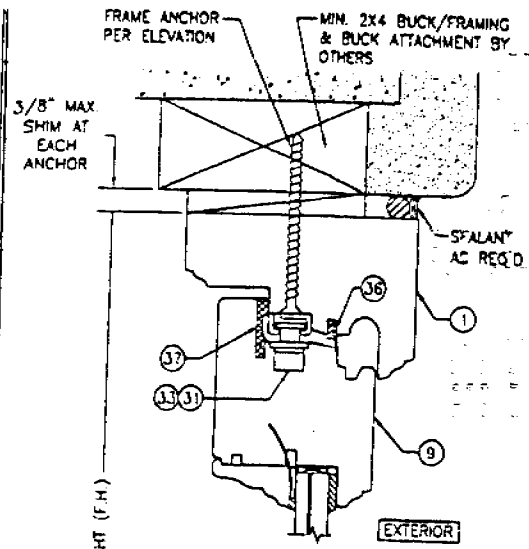


INTERIOR ELEVATION
DOUBLE RECTANGULAR TILT-TURN WINDOW UNIT
SCALE: N.T.S.
(ALSO APPLICABLE FOR ALL SHAPED WINDOWS)

INTERIOR ELEVATION
SINGLE RECTANGULAR TILT-TURN WINDOW UNIT
SCALE: N.T.S.
(ALSO APPLICABLE FOR ALL SHAPED WINDOWS)

Approved as modifying with the
 Original
 Date: 08/18/05
 HOWARD D. SCHAEFER, P.E.
 Principal Engineer
 W.W. Schaefer Engineering & Consulting, P.A.
 5783 S.W. 40th Street, P.M.B. 220
 Miami, FL 33155
 Phone: 305-665-0791
 Fax: 305-665-0791
 By: *[Signature]*

CERTIFICATION JUL 24 2005 W.W. SCHAEFER, P.E. NO. 44138		DRAWING TITLE AMERICAN IN-SWING CASEMENT IMPACT WOOD WINDOWS		MANUFACTURER PEETZ WINDOWS & DOORS 5783 S.W. 40TH STREET, P.M.B. 220 MIAMI, FL 33155 305-665-0791	
DATE 1320A SHEET NO. 5 OF 10	CONSULTANT W. W. SCHAEFER ENGINEERING & CONSULTING, P.A. 5783 S.W. 40TH STREET, P.M.B. 220 MIAMI, FL 33155 PHONE: 305-665-0791 FAX: 305-665-0791	NO. 1	REVISION DESCRIPTION 1. INITIAL ISSUE	BY WWS	DATE 07/24/05



CLIPS & BRACKETS MAY BE POSITIONED AT THE INTERIOR OR EXTERIOR SIDE OF THE WINDOW

Approved as complying with the Florida Building Code
 Date: 08/10/05
 NCMAR 05-1072-01
 National Grade Products Control Division
 By: [Signature]

SECTION A1/5
 SCALE: 1/2 FULL
 (SCREW MOUNT)

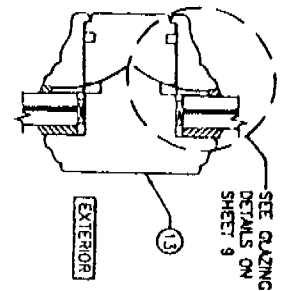
SECTION A2/5
 SCALE: 1/2 FULL
 (CLIP MOUNT)

SECTION A3/5
 SCALE: 1/2 FULL
 (BRACKET MOUNT)

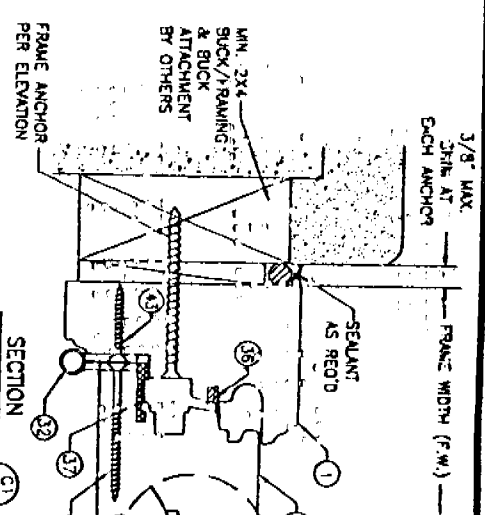
BUCK CONDITION SHOWN. METAL STUD OR STRUCTURAL STEEL SUBSTRATES ALSO APPLY IN LIEU OF BUCKS PER FRAME ANCHOR REQUIREMENTS TABLE ON SHEET 1

BUCK CONDITION SHOWN. METAL STUD OR STRUCTURAL STEEL SUBSTRATES ALSO APPLY IN LIEU OF BUCKS PER FRAME ANCHOR REQUIREMENTS TABLE ON SHEET 1

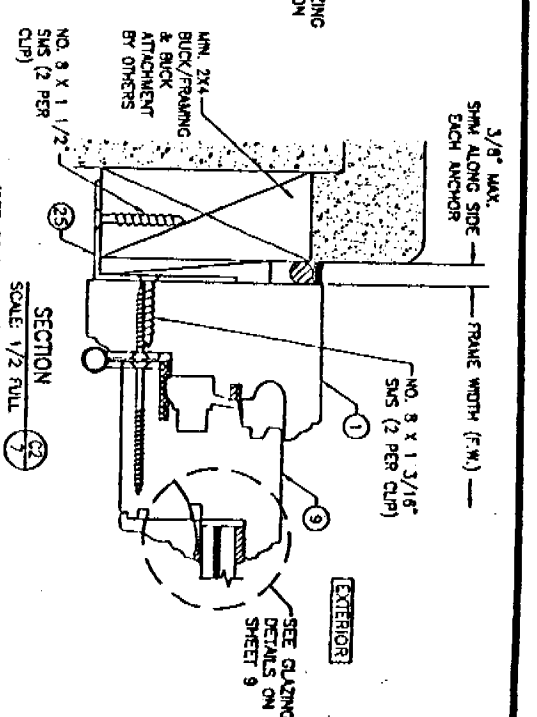
DATE	BY	CHK'D BY
NO.	REVISION DESCRIPTION	
AMERICAN IN-SWING CASEMENT IMPACT WOOD WINDOWS MANUFACTURER PEITZ WINDOWS & DOORS 5783 S.W. 40TH STREET; PMB 220 MIAMI, FL 33155		
CONSULTANTS W. W. SCHAEFER ENGINEERING & CONSULTING, P.A. 5008 N. MILITARY TRAIL, SUITE 15-204 PALM BEACH GARDENS, FL 33410 PHONE: 561-744-1000		
CERTIFICATION JUL 14 2005 W. W. SCHAEFER, P.E. REGISTERED PROFESSIONAL ENGINEER STATE OF FLORIDA		
DRAWING NO. 1320A SHEET NO. 6 OF 10		



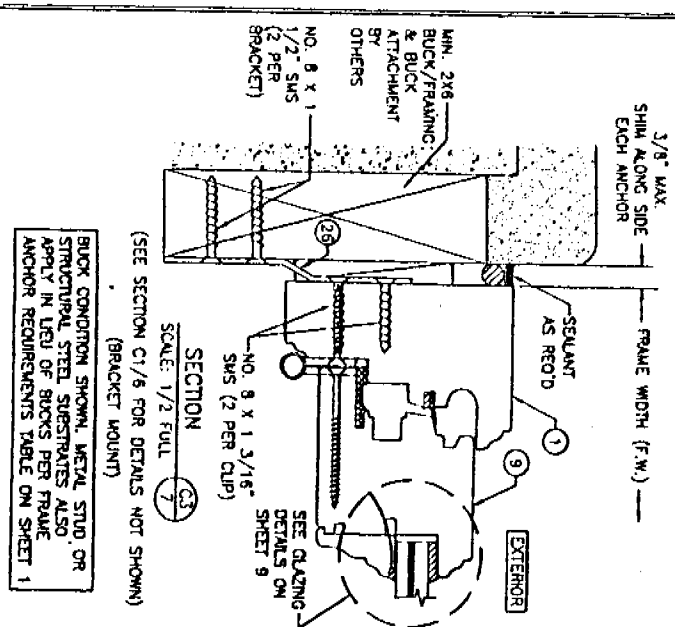
SECTION 7
SCALE: 1/2 FULL



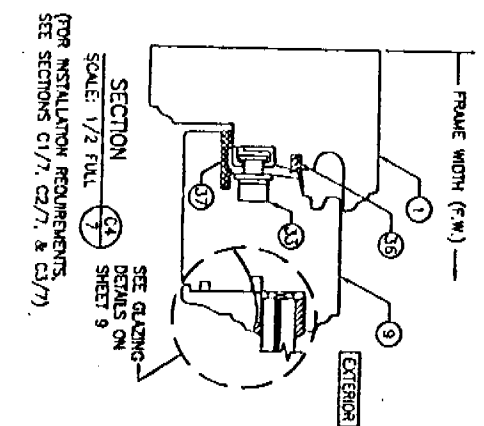
SECTION 8
SCALE: 1/2 FULL
(SCREW MOUNT)



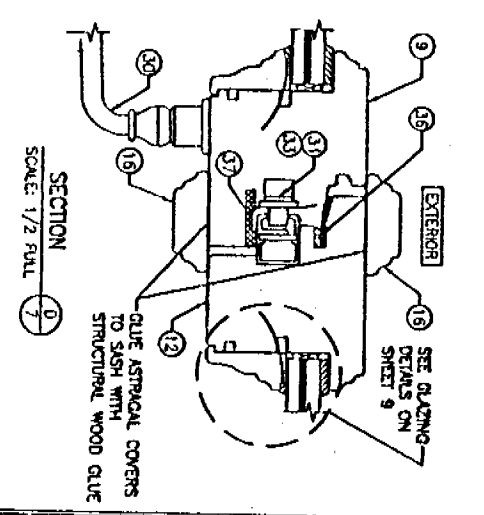
SECTION 9
SCALE: 1/2 FULL
(CLIP MOUNT)



SECTION 10
SCALE: 1/2 FULL
(BRACKET MOUNT)



SECTION 11
SCALE: 1/2 FULL



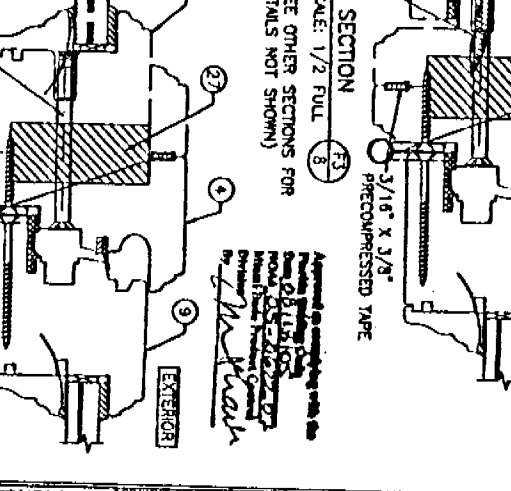
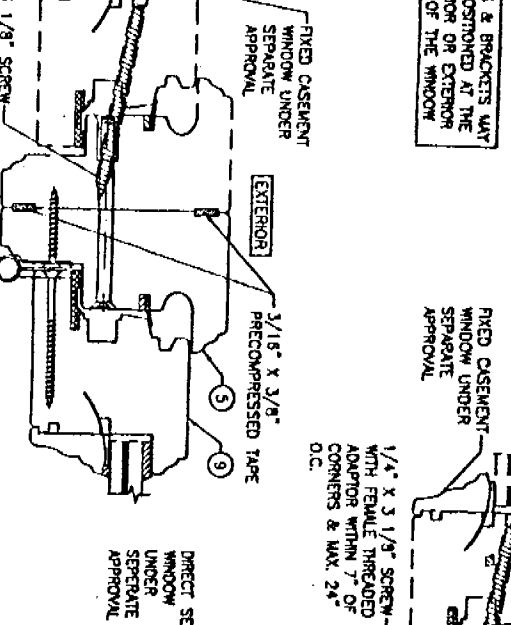
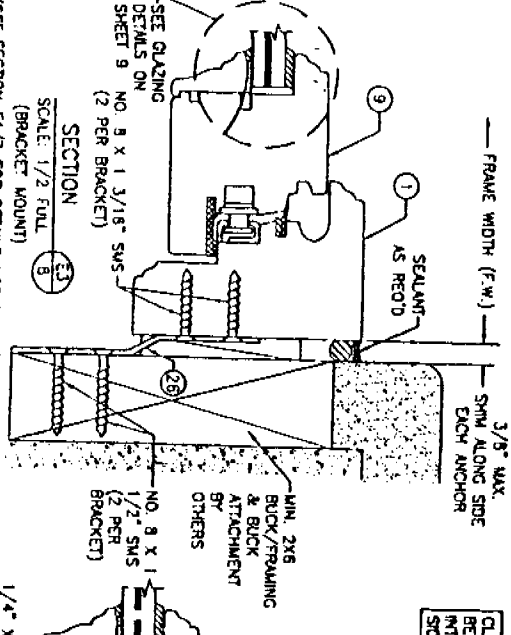
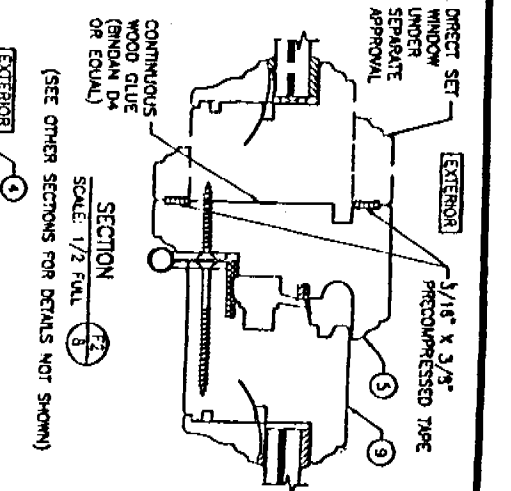
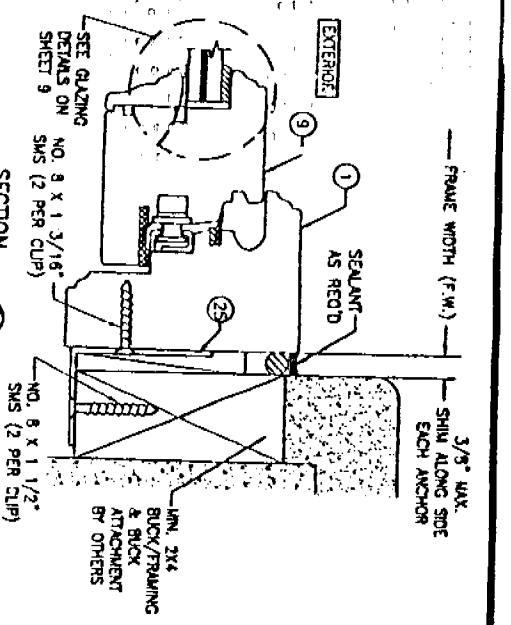
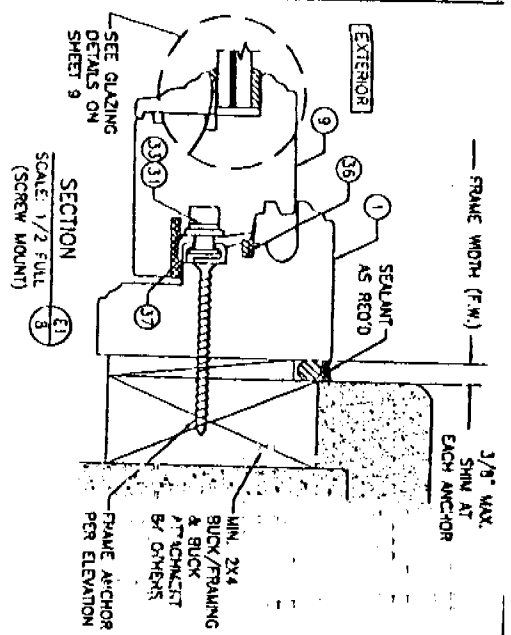
SECTION 12
SCALE: 1/2 FULL

BUCK CONDITION SHOWN, METAL STUD OR STRUCTURAL STEEL SUBSTRATES ALSO APPLY IN LIEU OF BUCKS PER FRAME ANCHOR REQUIREMENTS TABLE ON SHEET 1

CLIPS & BRACKETS MAY BE POSITIONED AT THE INTERIOR OR EXTERIOR SIDE OF THE WINDOW

Approved in accordance with the Florida Building Code, Chapter 6, Part 905, Section 905.1.1, Minimum Requirements for Window Anchorage, by *W. W. Schaefer*

CERTIFICATION JUL 14 2005 W. W. SCHAEFER, P.E. No. 44133		DRAWING TITLE AMERICAN IN-SWING CASEMENT IMPACT WOOD WINDOWS		MANUFACTURER PEETZ WINDOWS & DOORS 5783 S.W. 40TH STREET, PMB 220 MIAMI, FL 33155 305-665-0281																	
CONSULTANTS W. W. SCHAEFER ENGINEERING & CONSULTING, P.A. 6800 N. ALDRICH TRAIL SUITE C-204 PALM BEACH GARDENS, FL 33418 PHONE 561-775-1908 FAX 561-775-1903		NO. 1320A SHEET NO. 7 OF 10		<table border="1"> <thead> <tr> <th>NO.</th> <th>REVISION DESCRIPTION</th> <th>BY</th> <th>DATE</th> </tr> </thead> <tbody> <tr> <td> </td> <td> </td> <td> </td> <td> </td> </tr> <tr> <td> </td> <td> </td> <td> </td> <td> </td> </tr> <tr> <td> </td> <td> </td> <td> </td> <td> </td> </tr> </tbody> </table>		NO.	REVISION DESCRIPTION	BY	DATE												
NO.	REVISION DESCRIPTION	BY	DATE																		



SEE GLAZING DETAILS ON SHEET 9 (2 PER BRACKET)

NO. 8 X 1 3/16" SMS

SCALE: 1/2 FULL

(SEE SECTION E1/7 FOR DETAILS NOT SHOWN)

BUCK CONDITION SHOWN, METAL STUD OR STRUCTURAL STEEL SUBSTRATES ALSO APPLY IN LIEU OF BUCKS PER FRAME ANCHOR REQUIREMENTS TABLE ON SHEET 1

CLIPS & BRACKETS MAY BE POSITIONED AT THE INTERIOR OR EXTERIOR SIDE OF THE WINDOW

MIN. 2x6 BUCK/FRAMING & BUCK ATTACHMENT BY OTHERS

NO. 8 X 1 1/2" SMS (2 PER BRACKET)

3/8" MAX. SHIM ALONG SIDE EACH ANCHOR

SCALE: 1/2 FULL

(SEE OTHER SECTIONS FOR DETAILS NOT SHOWN)

1/4" X 3 1/8" SCREW WITH FEMALE THREADED ADAPTOR WITHIN 7" OF CORNERS & MAX. 24" O.C.

SCALE: 1/2 FULL

(SEE OTHER SECTIONS FOR DETAILS NOT SHOWN)

1/4" X 3 1/8" SCREW WITH FEMALE THREADED ADAPTOR WITHIN 7" OF CORNERS & MAX. 24" O.C.

SCALE: 1/2 FULL

(SEE OTHER SECTIONS FOR DETAILS NOT SHOWN)

1/4" X 3 1/8" SCREW WITH FEMALE THREADED ADAPTOR WITHIN 7" OF CORNERS & MAX. 24" O.C.

SCALE: 1/2 FULL

(SEE OTHER SECTIONS FOR DETAILS NOT SHOWN)

NO.	REVISION DESCRIPTION	BY	DATE

CERTIFICATION
JUL 14 2005

DRAWING TITLE: AMERICAN IN-SWING CASEMENT IMPACT WOOD WINDOWS

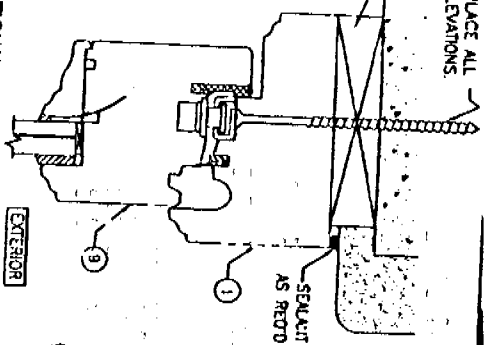
CONSULTANTS: W. W. SCHAEFER ENGINEERING & CONSULTING, P.A.
2635 N. MILITARY TRAIL, SUITE C-204
PALM BEACH GARDENS, FL 33410
PHONE: 561-778-4902 FAX: 561-778-1903

MANUFACTURER: PEETZ WINDOWS & DOORS
5783 S.W. 40TH STREET, PMB 220
MIAMI, FL 33155
305-665-0291

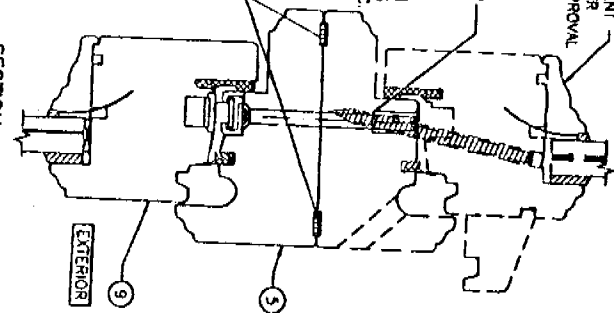
DATE: JUL 14 2005
SHEET NO. 8 OF 10

1/4" CONCR. SCREW TO REPLACE ALL FRAME SCREWS SHOWN IN ELEVATIONS.

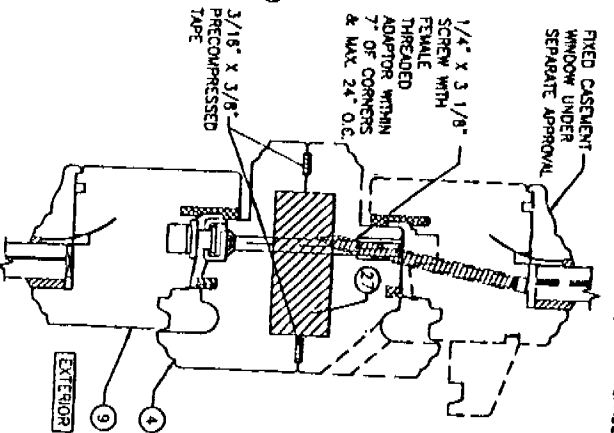
CONTINUOUS WOOD MEMBER LESS IN SIZE THAN A 2X. BUCK TO BE MIN. 3 1/2" DEEP. NOT REQUIRED WHEN 3/3" OR LESS SHIM SPACE EXISTS (USE SHIMS AT EACH ANCHOR ONLY).



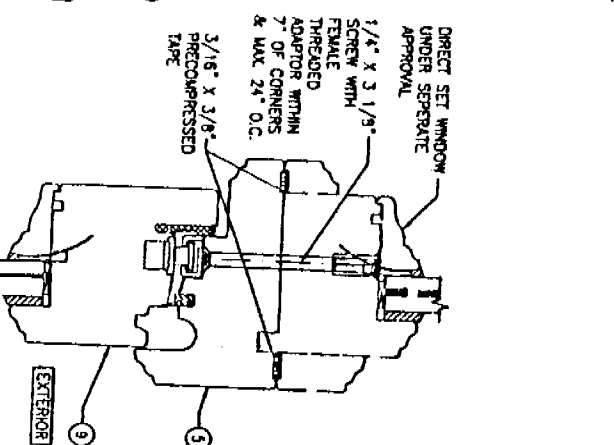
OPTIONAL DIRECT MOUNT DETAIL TO BLOCK OR CONCRETE WITH SPACER OR SHIM



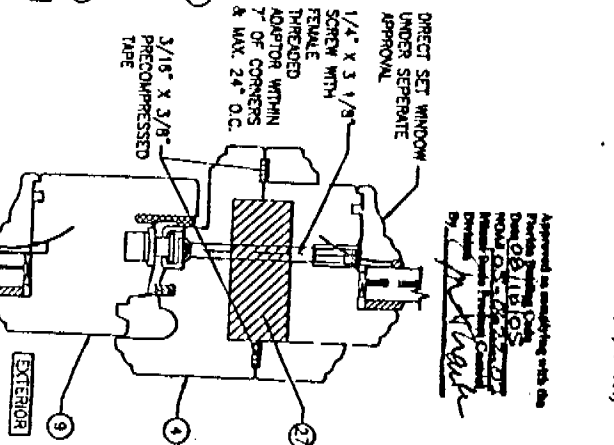
SECTION SCALE: 1/2 FULL (C1) 9



SECTION SCALE: 1/2 FULL (C2) 9



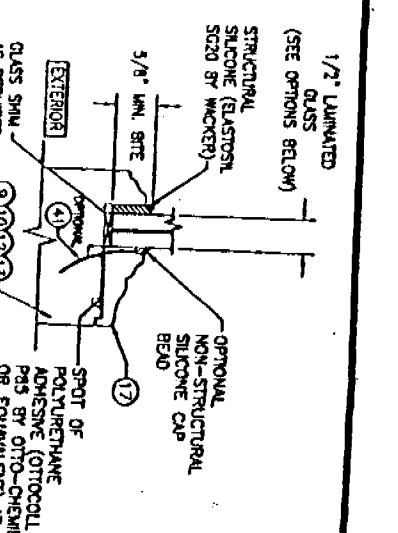
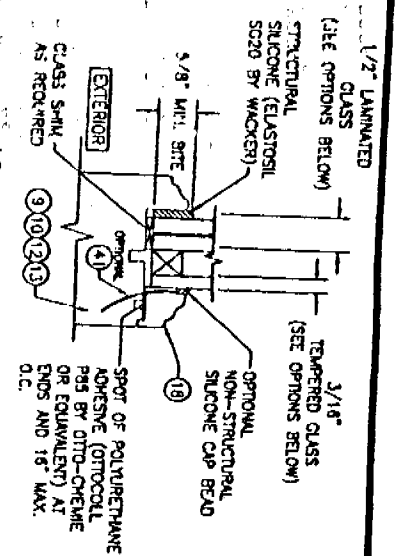
SECTION SCALE: 1/2 FULL (C3) 9



SECTION SCALE: 1/2 FULL (C4) 9

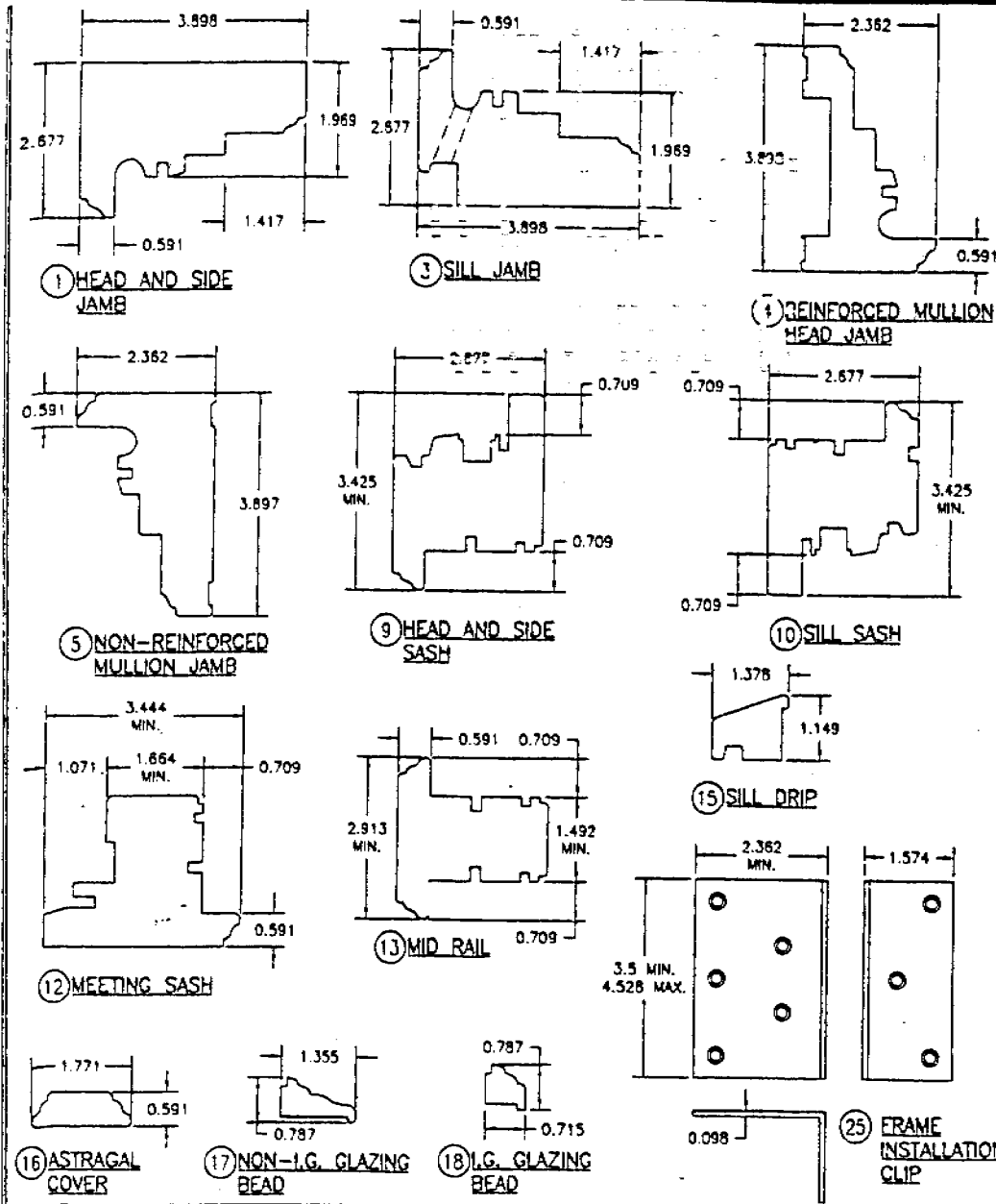
GLASS OPTION 1: 1/2" THICK SOLUNA SAFLEX IN LAMINATED OUTER GLASS (3/16" AN/0.09 SAFLEX ING P&B/1/4" AN) 3/16" TEMPERED SINGLE PANE INNER GLASS & 1/2" AIR SPACE
 2: 1/2" THICK SOLUNA WANGCA LAMINATED OUTER GLASS (3/16" AN/0.075 WANGCA/1/4" AN) 3/16" TEMPERED SINGLE PANE INNER GLASS & 1/2" AIR SPACE

GLASS OPTION 1: 1/2" THICK SOLUNA SAFLEX IN LAMINATED GLASS (3/16" AN/0.09 SAFLEX ING P&B/1/4" AN)
 2: 1/2" THICK SOLUNA WANGCA LAMINATED GLASS (3/16" AN/0.075 WANGCA/1/4" AN)



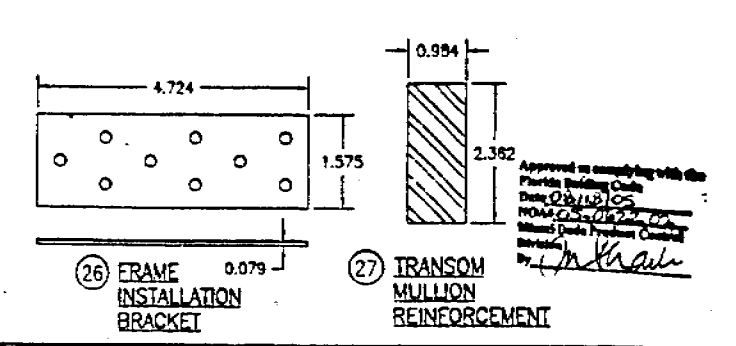
Approved as modifying with the
 Florida Building Code
 and
 Florida Building Code
 Minimum Design Criteria
 for Wind-Resisting
 Buildings
 by
 W. W. Schaefer

CERTIFICATION JUL 24 2005 W. W. SCHAEFER, P.E. MEMBER, N.E.C.E.		DRAWING TITLE AMERICAN IN-SWING CASEMENT IMPACT WOOD WINDOWS		NO. REVISION DESCRIPTION BY DATE	
CONSULTANTS W. W. SCHAEFER ENGINEERING & CONSULTING, P.A. 8048 N. MILITARY TRAIL, SUITE C-204 PALM BEACH GARDENS, FL 33418		MANUFACTURER PEETZ WINDOWS & DOORS 5763 S.W. 40TH STREET, PMB 220 MIAMI, FL 33154		1 2 3 4 5 6 7 8 9 10	



ITEM #	ITEM DESCRIPTION	MANUFACTURER/NOTES
PARTS		
1	HEAD AND SIDE JAMB	MAHOGANY
3	SILL JAMB	MAHOGANY
4	REINFORCED MULLION HEAD JAMB	MAHOGANY
5	NON-REINFORCED MULLION JAMB	MAHOGANY
9	HEAD AND SIDE SASH	MAHOGANY
10	SILL SASH	MAHOGANY
12	MEETING SASH	MAHOGANY
13	MID RAIL	MAHOGANY
15	SILL DRIP	MAHOGANY
16	ASTRAGAL COVER	MAHOGANY
17	NON-I.G. GLAZING BEAD	MAHOGANY
18	I.G. GLAZING BEAD	MAHOGANY
25	FRAME INSTALLATION CLIP	GALVANIZED 34.1 KSI STEEL
26	FRAME INSTALLATION BRACKET	GALVANIZED 34.1 KSI STEEL
27	MULLION REINFORCEMENT	A36 STEEL (FY = 36 KSI)
HARDWARE		
30	LOCK HANDLE	AS REQUIRED TO OPERATE LOCKS
31	MULTI-POINT LOCK SYSTEM (HINGED WINDOW)	GU, ROTO OR SIEGEMA MUSHROOM CAN SYSTEM
32	HINGE (2 3/16" x 5 1/2")	BRASS BY BROS
33	MULTI-POINT LOCK SYSTEM (MLT-TURN WINDOW)	SIEGEMA MUSHROOM CAN SYSTEM WITH CONCEALED HINGES
SEALS AND SEALANTS		
36	SWEEP	GTG EPDM
37	COMPRESSION SEAL	SCHLEGEL
38	3/8" x 3/16" PRECOM PRESSED TAPE	N/A
FASTENERS		
40	.295" x 3 5/8" AND 3/4" GALVANIZED STEEL SCREWS	5 1/2" FROM INNER CORNERS & 14" O.C.
41	OPTIONAL 18 GA. x 1 1/4" GALVANIZED CURVED NAIL	10" FROM CORNERS & 20" O.C.
42	3/16" x 1 3/16" SCREWS	4 PER HINGE (Ø DOOR)
43	3/16" x 2 3/4" SCREWS	4 PER HINGE (Ø JAMB)

NOTE: MAHOGANY USED IN TESTING WAS MERANTI MAHOGANY. OTHER WOOD SPECIES APPLICABLE FOR USE WITH THIS PRODUCT ARE MERBAU, DOUSSIE, SIPO, SAPELLI, HONDURAS MAHOGANY OR OAK. ALL WOOD IS MINIMUM GRADE 2 MILLED BY PEETZ TO SELECT.



AMERICAN IN-SWING CASEMENT IMPACT WOOD WINDOWS

PEETZ WINDOWS & DOORS
5783 S.W. 40TH STREET, PHD 220
MIAMI, FL 33155
TEL: 305-666-1760

CONSULTANTS
W. W. SCHWARTZ ENGINEERING & CONSULTING, P.A.
6885 N. HAVENWAY TRAIL, SUITE G-109
PALM BEACH GARDENS, FL 33418
PHONE 381-775-9808 FAX 381-775-4883

MANUFACTURER

CERTIFICATION
JUL 14 2005

DRAWING NO. 1320A
SHEET NO. 10 OF 10



BUILDING CODE COMPLIANCE OFFICE (BCCO)
PRODUCT CONTROL DIVISION

MIAMI-DADE COUNTY, FLORIDA
METRO-DADE FLAGLER BUILDING
140 WEST FLAGLER STREET, SUITE 1603
MIAMI, FLORIDA 33130-1563
(305) 375-2901 FAX (305) 375-2908

www.buildingcodeonline.com

NOTICE OF ACCEPTANCE (NOA)

Petz Window and Doors, Inc.
5783 SW 40th Street PMB 220
Miami, FL 33155

B0701300

SCOPE:

This NOA is being issued under the applicable rules and regulations governing the use of construction materials. The documentation submitted has been reviewed by Miami-Dade County Product Control Division and accepted by the Board of Rules and Appeals (BORA) to be used in Miami Dade County and other areas where allowed by the Authority Having Jurisdiction (AHJ).

This NOA shall not be valid after the expiration date stated below. The Miami-Dade County Product Control Division (In Miami Dade County) and/or the AHJ (in areas other than Miami Dade County) reserve the right to have this product or material tested for quality assurance purposes. If this product or material fails to perform in the accepted manner, the manufacturer will incur the expense of such testing and the AHJ may immediately revoke, modify, or suspend the use of such product or material within their jurisdiction. BORA reserves the right to revoke this acceptance, if it is determined by Miami-Dade County Product Control Division that this product or material fails to meet the requirements of the applicable building code.

This product is approved as described herein, and has been designed to comply with the Florida Building Code, including the High Velocity Hurricane Zone.

DESCRIPTION: American Outswing Wood Casement Window -L.M.I.

APPROVAL DOCUMENT: Drawing No. 1320, titled "American Out-Swing Casement Impact Wood Windows", sheets 1 through 9 of 9, dated 03/18/05, prepared by W.W. Schaeffer Engineering & Consulting, P.A, signed and sealed by Warren W. Schaeffer, P.E., bearing the Miami-Dade County Product Control Approval stamp with the Notice of Acceptance number and approval date by the Miami-Dade County Product Control Division.

MISSILE IMPACT RATING: Large and Small Missile Impact

LABELING: Each unit shall bear a permanent label with the manufacturer's name or logo, city, state and following statement: "Miami-Dade County Product Control Approved", unless otherwise noted herein.

RENEWAL of this NOA shall be considered after a renewal application has been filed and there has been no change in the applicable building code negatively affecting the performance of this product.

TERMINATION of this NOA will occur after the expiration date or if there has been a revision or change in the materials, use, and/or manufacture of the product or process. Misuse of this NOA as an endorsement of any product, for sales, advertising or any other purposes shall automatically terminate this NOA. Failure to comply with any section of this NOA shall be cause for termination and removal of NOA.

ADVERTISEMENT: The NOA number preceded by the words Miami-Dade County, Florida, and followed by the expiration date may be displayed in advertising literature. If any portion of the NOA is displayed, then it shall be done in its entirety.

INSPECTION: A copy of this entire NOA shall be provided to the user by the manufacturer or its distributors and shall be available for inspection at the job site at the request of the Building Official.

This NOA consists of this page 1 and evidence pages 1 and 2, as well as approval document mentioned above.

The submitted documentation was reviewed by Herminio Gonzalez, Director, BCCO



Handwritten signature and date: 7/28/05

Vertical stamp: NOA No 05-0622.06, Expiration Date: August 18, 2010, Approval Date: August 18, 2005

NOA No 05-0622.06
Expiration Date: August 18, 2010
Approval Date: August 18, 2005
Page 1

Peetz Window and Doors, Inc.

NOTICE OF ACCEPTANCE: EVIDENCE SUBMITTED

A. DRAWINGS

1. Manufacturer's die drawings and sections.
2. Drawing No. 1320, titled "American Out-Swing Casement Impact Wood Windows", sheets 1 through 9 of 9, dated 03/18/05, prepared by W.W. Schaeffer Engineering & Consulting, P.A, signed and sealed by Warren W. Schaefer, P.E.

B. TESTS

1. Test reports on
 - 1) Air Infiltration Test, per FBC, TAS 202-94
 - 2) Uniform Static Air Pressure Test, Loading per FBC, TAS 202-94.
 - 3) Water Resistance Test, per FBC, TAS 202-94.
 - 4) Large Missile Impact Test per FBC, TAS 201-94
 - 5) Cyclic Wind Pressure Loading per FBC, TAS 203-94
 - 6) Forced Entry Test, per FBC 2411 3.2.1 and TAS 202-94

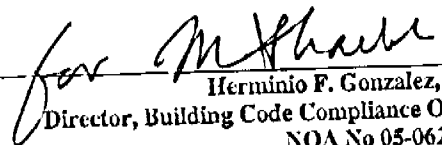
along with the manufacturer's parts drawings, installation diagram and marked-up drawings of a inswing wood casement window prepared by Hurricane Test Laboratory, Inc. Test Report No. HTL-0284-1018-04, dated 06/03/05, signed and sealed by Vinu J. Abraham, P.E.

2. Test reports on
 - 1) Air Infiltration Test, per FBC, TAS 202-94
 - 2) Uniform Static Air Pressure Test, Loading per FBC, TAS 202-94.
 - 3) Water Resistance Test, per FBC, TAS 202-94.
 - 4) Large Missile Impact Test per FBC, TAS 201-94
 - 5) Cyclic Wind Pressure Loading per FBC, TAS 203-94
 - 6) Forced Entry Test, per FBC 2411 3.2.1 and TAS 202-94

along with the manufacturer's parts drawings, installation diagram and marked-up drawings of a inswing wood casement window prepared by Hurricane Test Laboratory, Inc. Test Report No. HTL-0284-0115-05, dated 06/03/05, signed and sealed by Vinu J. Abraham, P.E.

3. Test reports on
 - 1) Air Infiltration Test, per FBC, TAS 202-94
 - 2) Uniform Static Air Pressure Test, Loading per FBC, TAS 202-94.
 - 3) Water Resistance Test, per FBC, TAS 202-94.
 - 4) Large Missile Impact Test per FBC, TAS 201-94
 - 5) Cyclic Wind Pressure Loading per FBC, TAS 203-94

along with the manufacturer's parts drawings, installation diagram and marked-up drawings of a inswing wood casement window prepared by Hurricane Test Laboratory, Inc. Test Report No. HTL-0284-0116-05, dated 06/03/05, signed and sealed by Vinu J. Abraham, P.E.


Herminio F. Gonzalez, P.E.
Director, Building Code Compliance Office
NOA No 05-0622.06

Expiration Date: August 18, 2010
Approval Date: August 18, 2005

Peetz Window and Doors, Inc.

NOTICE OF ACCEPTANCE: EVIDENCE SUBMITTED

C. CALCULATIONS

1. Anchor calculations and structural analysis, dated 04/12/05, prepared by W.W. Schaeffer Engineering & Consulting, P.A., signed and sealed by Warren Schaeffer, P.E.
2. Revised Anchor Calculations and structural analysis, prepared by W.W. Schaeffer Engineering & Consulting, P.A., dated 07/13/05, signed and sealed by Warren Schaeffer, P.E.

D. QUALITY ASSURANCE

1. Miami Dade Building Code Compliance Office (BCCO).

E. MATERIAL CERTIFICATIONS

1. Notice of Acceptance No. 01-0205.02 issued to Solutia Inc. for their "Sallex" /Keepsafe Maximum" dated 05/17/01, expiring on 05/21/06.
2. Notice of Acceptance No. 03-0415.13 issued to Solutia Inc. for their "Vanceva Composites" dated 12/11/03, expiring on 12/11/08.

F. STATEMENTS

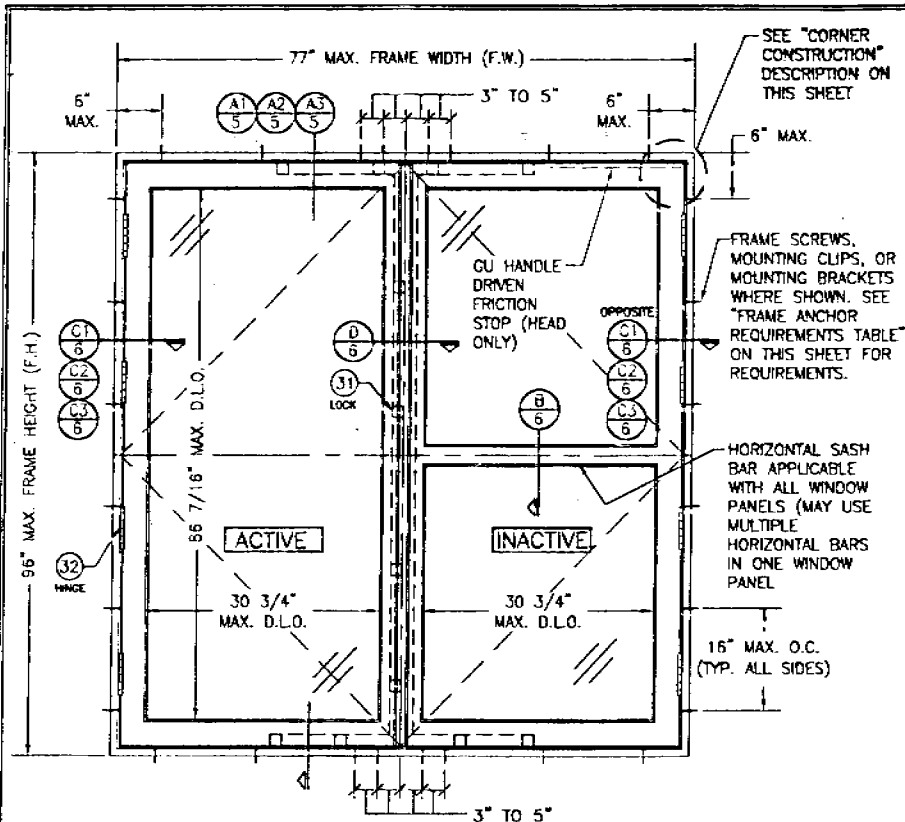
1. Statement letter of conformance and no financial interest, dated June 10, 2005, signed and sealed by Warren Schaeffer, P.E.

G. OTHER

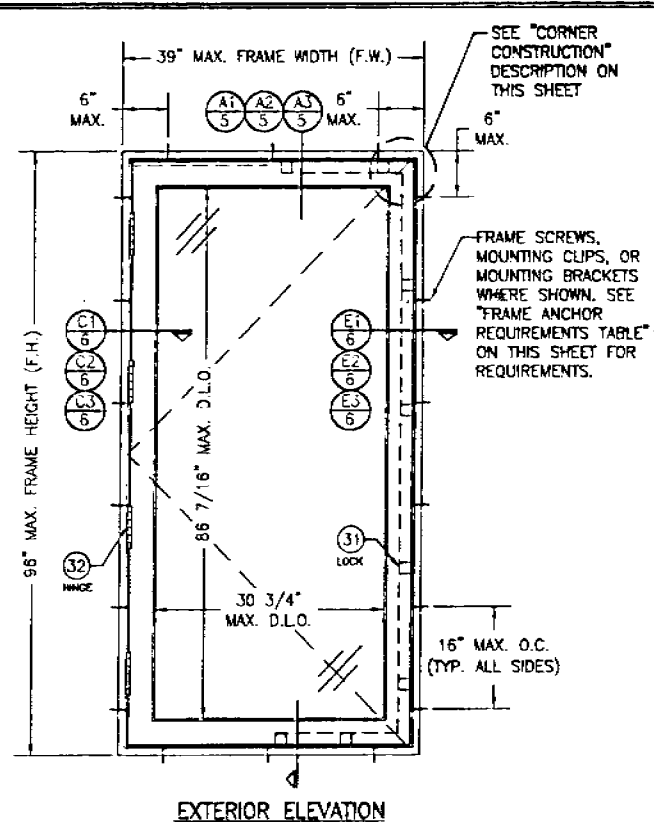
1. Letter from consultant stating that the product is in compliance with the Florida Building Code (FBC).

for M. Gonzalez

Herminio F. Gonzalez, P.E.
Director, Building Code Compliance Office
NOA No 05-0622.06
Expiration Date: August 18, 2010
Approval Date: August 18, 2005



**EXTERIOR ELEVATION
DOUBLE RECTANGULAR WINDOW UNIT**
SCALE: N.T.S.



**EXTERIOR ELEVATION
SINGLE RECTANGULAR WINDOW UNIT**
SCALE: N.T.S.

APPROVED SHAPES

NOTES:
1. OTHER SHAPES MAY APPLY PROVIDING THEY ARE SIMILAR TO THOSE SHOWN & HAVE CORNER CONSTRUCTION AS DESCRIBED ON THIS SHEET.
2. ALL SHAPED UNITS MUST FIT INSCRIBED INTO THE ALLOWABLE RECTANGULAR UNITS & BE GOVERNED BY THE ALLOWABLE PRESSURE OF THE RESPECTIVE RECTANGULAR UNIT.

GENERAL NOTES

- THESE WINDOW SYSTEMS HAVE BEEN TESTED, ANALYZED AND APPROVED FOR DESIGN PRESSURES NOT TO EXCEED THOSE SHOWN IN THE "ALLOWABLE DESIGN LOADS" TABLE(S).
- BUCKING, OPENINGS & BUCKING FASTENERS MUST BE PROPERLY DESIGNED & INSTALLED TO TRANSFER WIND LOADS TO THE STRUCTURE.
- ALL HARDWARE & FASTENERS SHALL BE IN ACCORDANCE WITH THESE DRAWINGS & MAY NOT VARY UNLESS SPECIFICALLY MENTIONED ON THE DRAWINGS.
- THE DETAILS & SPECIFICATIONS SHOWN HEREIN REPRESENT THE PRODUCTS TESTED & PROPOSED FOR WATER, AIR, IMPACT, CYCLIC & UNIFORM STATIC AIR PRESSURE TESTING IN CONFORMANCE WITH THE 2004 FLORIDA BUILDING CODE PROTOCOLS TAS-201, 202 & 203 FOR LARGE MISSILE IMPACT WINDOWS.
- THESE WINDOW SYSTEMS HAVE BEEN DESIGNED IN ACCORDANCE WITH THE 2004 FLORIDA BUILDING CODE (FBC) INCLUDING HIGH VELOCITY HURRICANE ZONES (HVHZ).
- IMPACT SHUTTERS ARE NOT REQUIRED WITH THESE WINDOWS.
- ALL ANCHORS SHALL BE INSTALLED AS SPECIFIED ON THESE DRAWINGS. SPECIFIED EMBEDMENT TO BASE MATERIAL SHALL BE BEYOND WALL FINISH OR STUCCO.
- ALL FRAME ANCHORS SECURING WINDOW FRAME TO PRESSURE TREATED BUCKS OR WOOD FRAMING SHALL BE CAPABLE OF RESISTING CORROSION CAUSED BY THE PRESSURE TREATING CHEMICALS IN THE WOOD.

CORNER CONSTRUCTION:

JAMBS: COPED, BUTTED TOGETHER, JOINED WITH 3 NO. 10 X 3 1/8" SCREWS & GLUED WITH BINDAN D4 OR EQUAL.
SASH: MULTI-FORKED, BUTTED & GLUED WITH BINDAN D4 OR EQUAL.

FRAME ANCHOR REQUIREMENTS TABLE			
SHEAR SCREWS			
OPENING TYPE (SUBSTRATE)	JAMB TO OPENING FASTENER TYPE	MINIMUM EMBED	MINIMUM EDGE DIST.
2X WOOD FRAME OR BUCK	NO. 14 SMS SCREW	1 1/4"	3/4"
CMU/CONCRETE	(1) 1/4" CONCRETE SCREW	1 1/4"	2"
MIN. 18 GA. 33 KSI METAL STUD OR 36 KSI STRUCTURAL STEEL	NO. 14 SELF TAPPING SCREWS	FULL	1/2"
MOUNTING CLIP SCREWS			
2X WOOD FRAME OR BUCK	NO. 8 X 1 1/2" SMS SCREWS	1 3/8"	1/2"
MIN. 1/8" THICK 36 KSI STEEL	NO. 8 SELF TAPPING SCREWS	FULL	1/2"
MOUNTING BRACKET SCREWS			
2X WOOD FRAME OR BUCK	NO. 8 X 1 1/2" SMS SCREWS	1 3/8"	1/2"
MIN. 18 GA. 33 KSI METAL STUD OR 36 KSI STRUCTURAL STEEL	NO. 8 SELF TAPPING SCREWS	FULL	1/2"

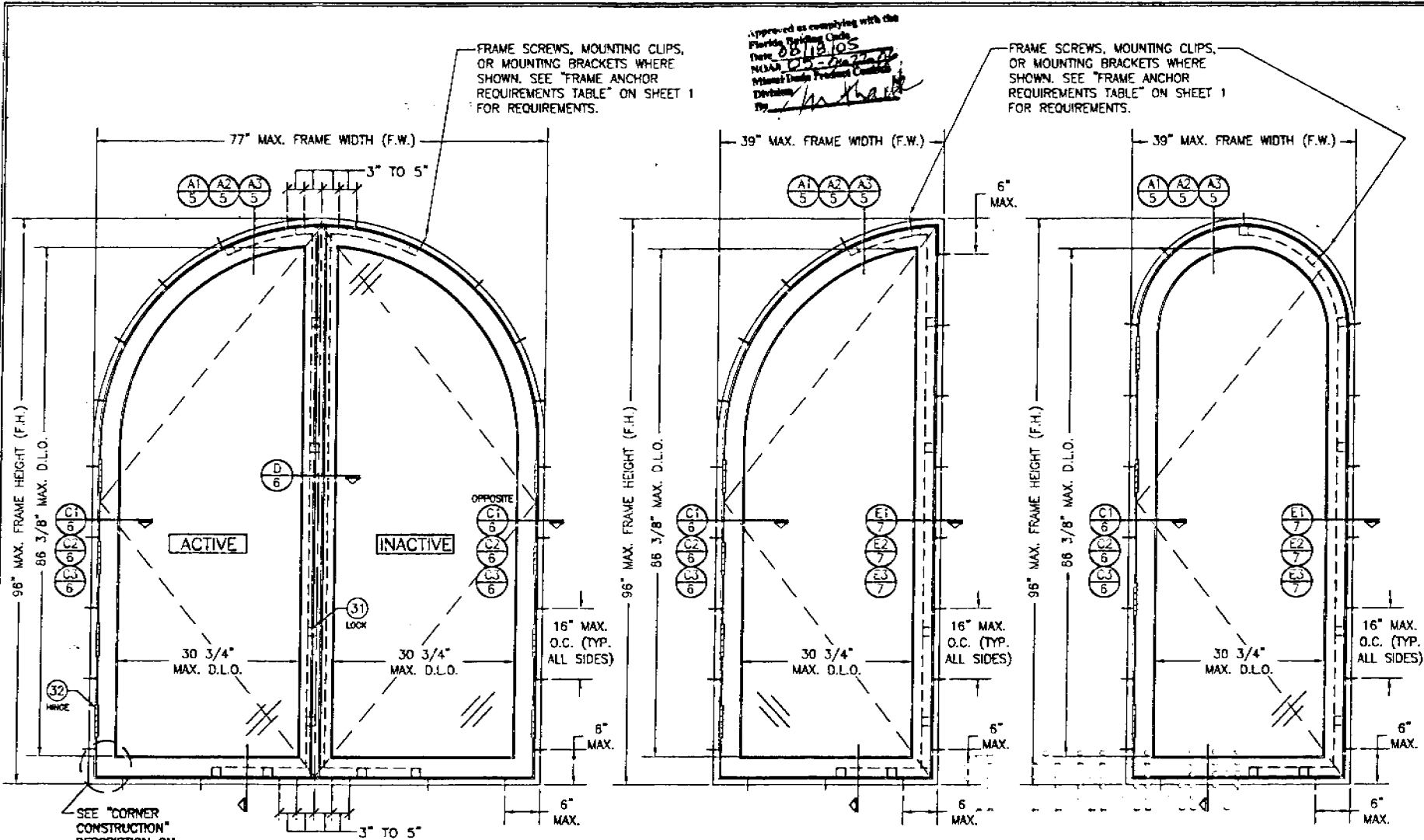
(1) CONCRETE SCREWS SHALL BE ELCO OR ITW RAMSET/RED HEAD TAPCONS OR HILTI KWIK-CON II (HARDENED STEEL OR S.S.).

ALLOWABLE DESIGN PRESSURE
(SINGLE, DOUBLE & TRANSOM MULLED WINDOWS)
+/- 70 PSF

FOR VERTICAL MULLION ALLOWABLE PRESSURE, SEE MULLION LOAD TABLE ON SHEET 4

I approve of an assembly with this Plan for the above design.
Date: 7/18/05
W. W. Schaefer
W. W. Schaefer Engineering & Consulting, P.A.
1888 N. WILSON ROAD, SUITE C-204
PALM BEACH GARDENS, FL 33410
PHONE 561-775-4802 FAX 561-775-4803
By: *W. Schaefer*

DRAWN BY: S.T.A.	CHECKED BY: S.M.S.
PLT: 1-14	DATE: 7/18/05
DATE:	
BY:	
REVISION DESCRIPTION:	
NO:	
<p>AMERICAN OUT-SWING CASEMENT IMPACT WOOD WINDOWS</p> <p>MANUFACTURER: PEETZ WINDOWS & DOORS 5783 S.W. 40TH STREET, PUB 220 MIAMI, FL 33155 305-665-0291</p> <p>CONSULTANTS: W. W. SCHAEFER ENGINEERING & CONSULTING, P.A. 1888 N. WILSON ROAD, SUITE C-204 PALM BEACH GARDENS, FL 33410 PHONE 561-775-4802 FAX 561-775-4803</p>	
CERTIFICATION:	<p>JUL 19 2005</p> <p>1320</p> <p>SHEET NO. 1 OF 9</p>

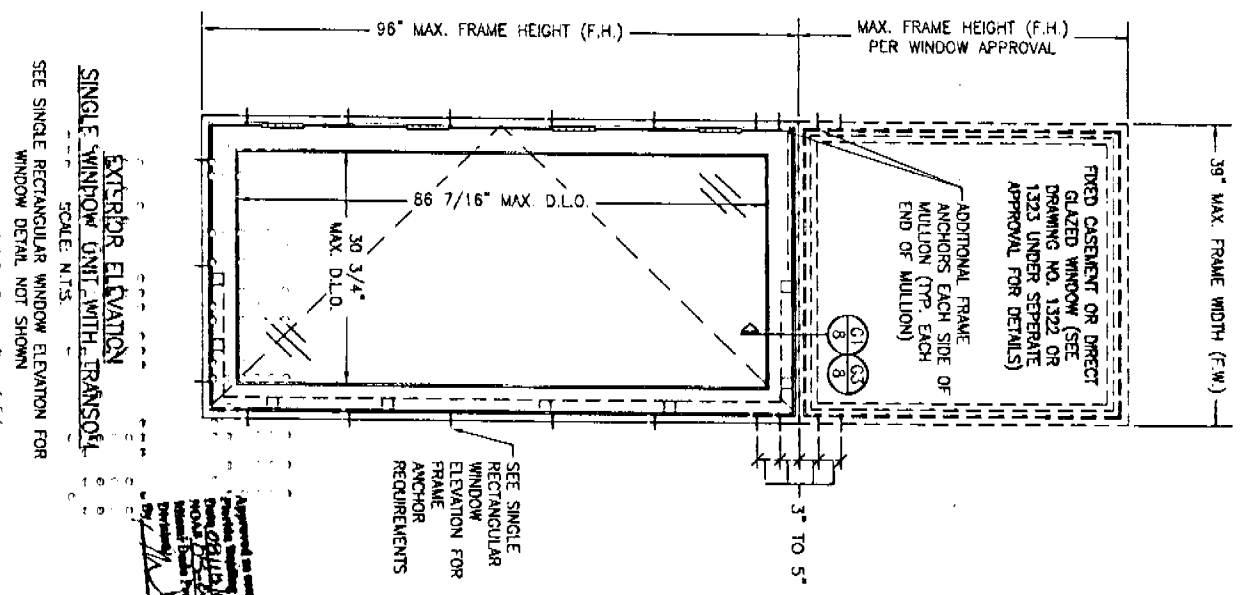
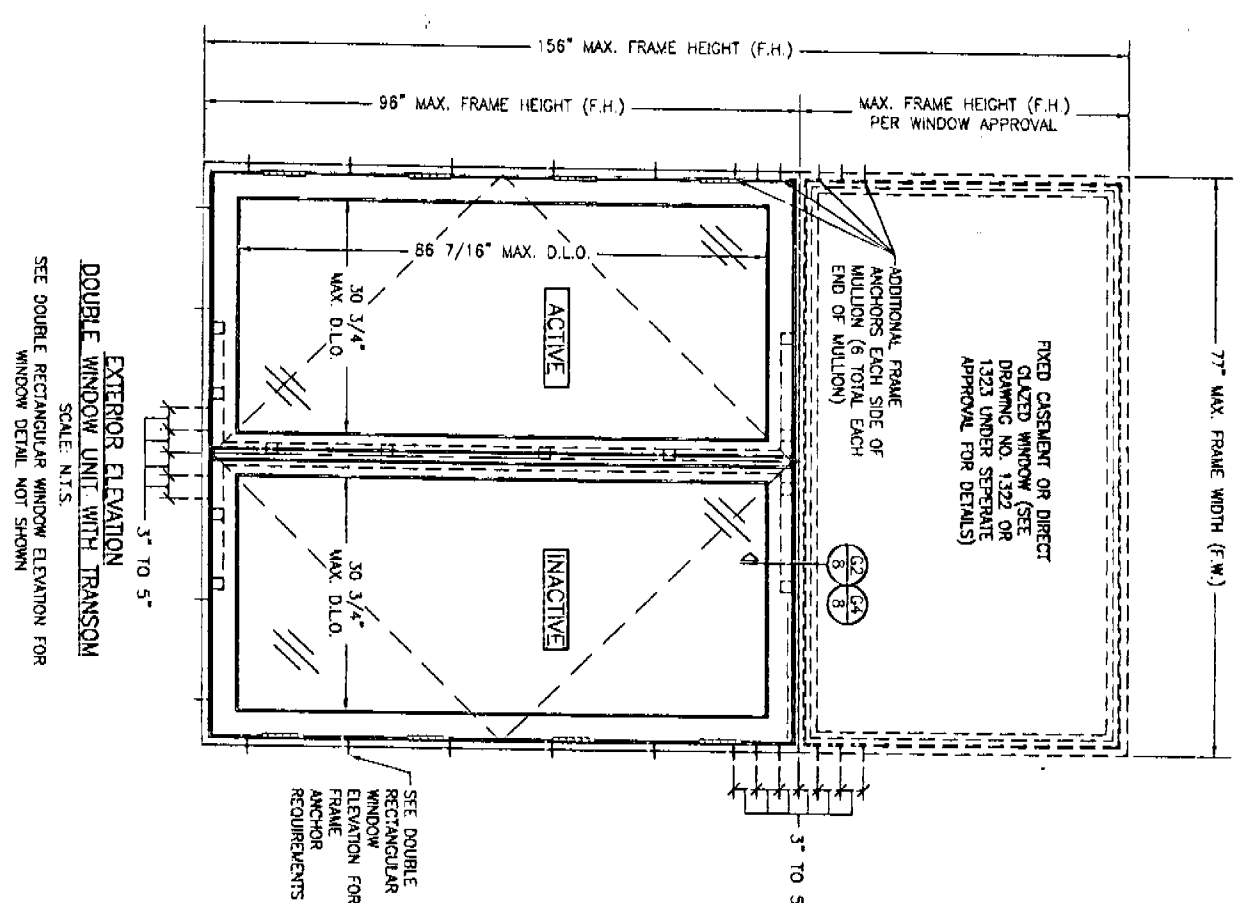


EXTERIOR ELEVATION
DOUBLE HALF ROUND WINDOW UNIT
 SCALE: 3/4" = 1'-0"
 (OTHER SHAPES APPLY. SEE SHAPES TABLE ON SHEET 1)

EXTERIOR ELEVATION
SINGLE QUARTER ROUND WINDOW UNIT
 SCALE: 3/4" = 1'-0"
 (OTHER SHAPES APPLY. SEE SHAPES TABLE ON SHEET 1)

EXTERIOR ELEVATION
SINGLE HALF-ROUND WINDOW UNIT
 SCALE: 3/4" = 1'-0"
 (OTHER SHAPES APPLY. SEE SHAPES TABLE ON SHEET 1)

DESIGNED BY:	DATE:	CHECKED BY:	DATE:
1-11	3/18/05		
NO.:	REVISION DESCRIPTION:		
DRAWING TITLE: AMERICAN OUT-SWING CASEMENT IMPACT WOOD WINDOWS			
MANUFACTURER: PEETZ WINDOWS & DOORS			
5783 S.W. 40TH STREET; PMB 220			
MIAMI, FL 33155			
305-665-0291			
CONSULTANTS: W. W. SCHAEFER ENGINEERING & CONSULTING, P.A.			
8885 N. W. 12TH TRAIL, SUITE C, 704			
PALM BEACH GARDENS, FL 33410			
PHONE: 561-775-4802 FAX: 561-775-4803			
CERTIFICATION:	JUL 18 2005	W. W. SCHAEFER, P.E.	
DRAWING NO. 1320			
SHEET NO. 9			

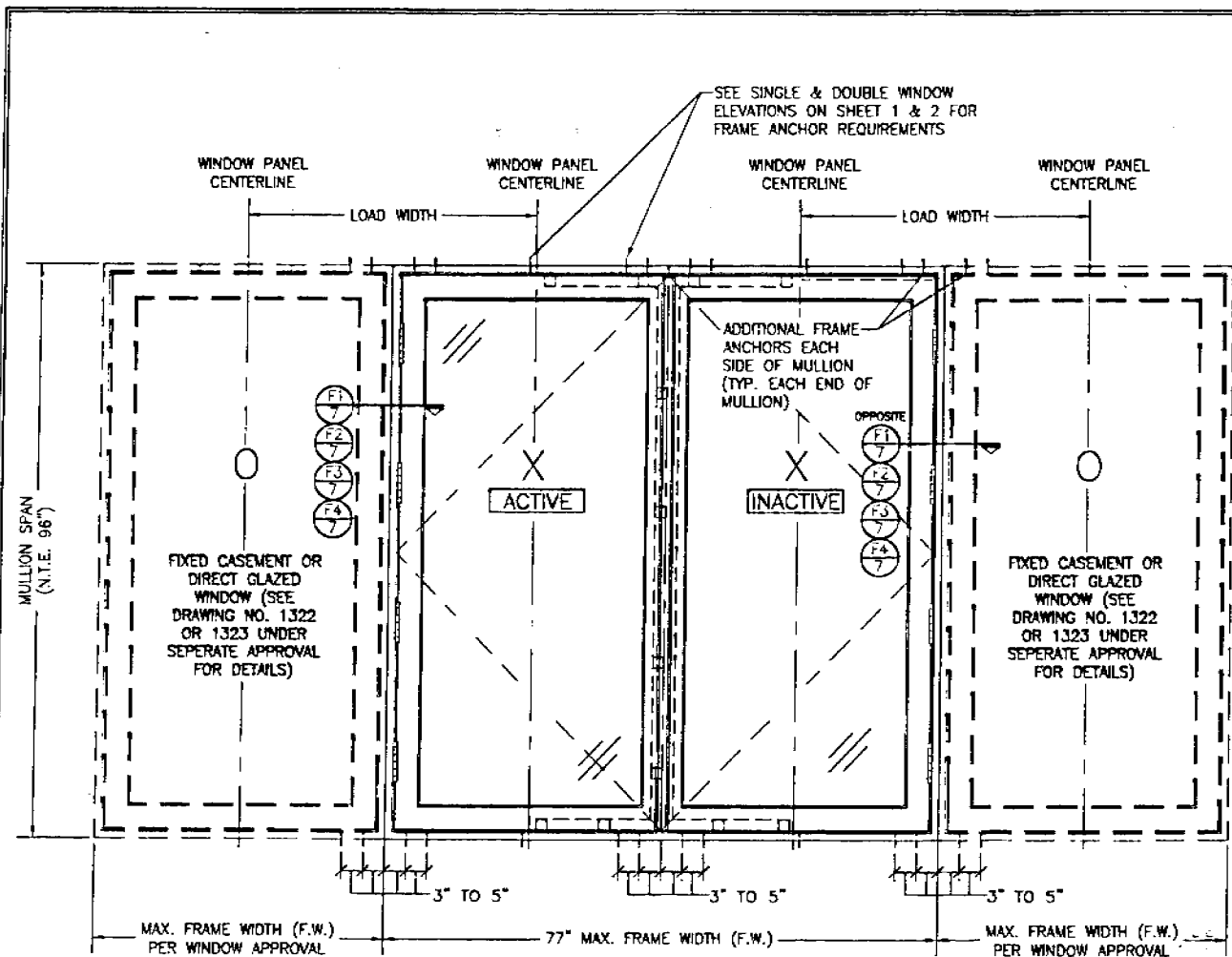


EXTERIOR ELEVATION
 DOUBLE WINDOW UNIT WITH TRANSOM
 SCALE: N.T.S.
 SEE DOUBLE RECTANGULAR WINDOW ELEVATION FOR WINDOW DETAIL NOT SHOWN

EXTERIOR ELEVATION
 SINGLE WINDOW UNIT WITH TRANSOM
 SCALE: N.T.S.
 SEE SINGLE RECTANGULAR WINDOW ELEVATION FOR WINDOW DETAIL NOT SHOWN

Approved as shown by the
 Professional Engineer
 W. W. Schaefer, P.E.
 License No. 44133
 State of Florida
 10/15/05

CERTIFICATION JUL 14 2005 W. W. SCHAEFER, P.E. P.E. NO. 44133		DRAWING TITLE AMERICAN OUT-SWING CASEMENT IMPACT WOOD WINDOWS		CONSULTANTS W. W. SCHAEFER ENGINEERING & CONSULTING, P.A. 8585 N. MILITARY TRAIL, SUITE C-204 PALM BEACH GARDENS, FL 33410 PHONE: 561-775-4802 FAX: 561-775-4803		MANUFACTURER FEETZ WINDOWS & DOORS 5783 S.W. 40TH STREET, PMB 220 MIAMI, FL 33155 305-665-0291		<table border="1"> <thead> <tr> <th>NO.</th> <th>REVISION DESCRIPTION</th> <th>BY</th> <th>DATE</th> </tr> </thead> <tbody> <tr><td> </td><td> </td><td> </td><td> </td></tr> <tr><td> </td><td> </td><td> </td><td> </td></tr> <tr><td> </td><td> </td><td> </td><td> </td></tr> <tr><td> </td><td> </td><td> </td><td> </td></tr> </tbody> </table>		NO.	REVISION DESCRIPTION	BY	DATE																	<table border="1"> <thead> <tr> <th>PROJECT NO.</th> <th>DATE</th> </tr> </thead> <tbody> <tr> <td> </td> <td> </td> </tr> <tr> <td> </td> <td> </td> </tr> <tr> <td> </td> <td> </td> </tr> <tr> <td> </td> <td> </td> </tr> </tbody> </table>		PROJECT NO.	DATE								
NO.	REVISION DESCRIPTION	BY	DATE																																						
PROJECT NO.	DATE																																								
SHEET NO. 3 OF 9		DRAWING NO. 1320		DATE 1/15/05		PROJECT NO. 05-0000		DATE 1/15/05																																	



**EXTERIOR ELEVATION
DOUBLE WINDOW UNIT WITH SIDELITES**
SCALE: N.T.S.

SEE DOUBLE & SINGLE WINDOW ELEVATIONS FOR DETAIL NOT SHOWN
(OXXO UNIT SHOWN. ALL OTHER FIXED/OPERABLE COMBINATIONS
ALSO APPLY WITH THE MULLION CONDITIONS SHOWN.)

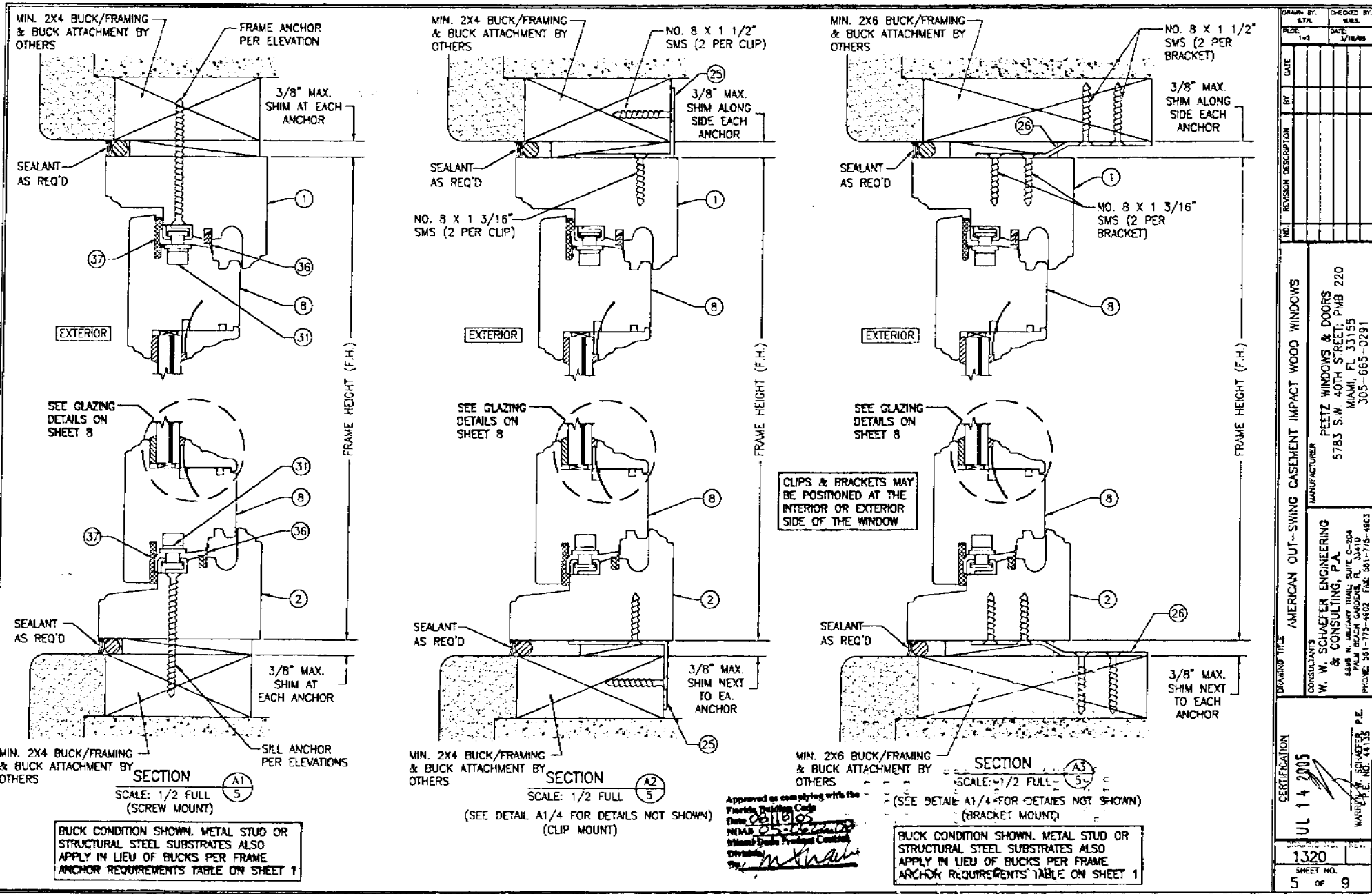
MULLION ALLOWABLE LOAD TABLE

MAXIMUM MULLION SPAN (IN.)	MAXIMUM LOAD WIDTH (IN.)	ALLOWABLE PRESSURE (POS. & NEG. PSF)	
		NON-REINFORCED MULLION	REINFORCED MULLION
98	54	38.5	53.2
	48	40.2	58.6
	42	44.9	65.5
	39	48.0	70.0
	36	51.0	75.0
	30	58.9	75.0
90	24	71.0	75.0
	22	75.0	75.0
	54	42.1	61.3
	48	46.2	65.9
	42	51.6	72.1
	39	54.4	75.0
84	36	57.7	75.0
	30	66.5	75.0
	24	75.0	75.0
	54	49.3	67.9
	48	53.7	72.5
	42	58.5	75.0
78	39	61.5	75.0
	36	65.1	75.0
	30	75.0	75.0
	54	59.4	75.0
	48	63.1	75.0
	42	68.3	75.0
72	39	71.7	75.0
	36	75.0	75.0
	54	72.9	75.0
66	48	75.0	75.0
	54	75.0	75.0

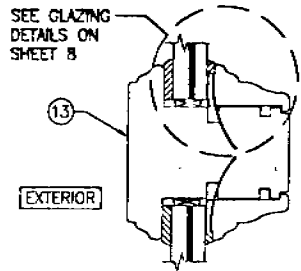
LESSER OF THE PRESSURE SHOWN IN THIS TABLE & THAT ALLOWED FOR THE INDIVIDUAL WINDOW SHALL CONTROL AS ALLOWABLE FOR THE OVERALL UNIT.

DRAWN BY: S.F.A.	CHECKED BY: M.S.	DATE: 3/18/05	DATE:	DATE:	DATE:
PLN: 1-18	DATE: 3/18/05				
BY:	DATE:				
REVISION DESCRIPTION:					
NO.					
DRAWING TITLE: AMERICAN OUT-SWING CASEMENT IMPACT WOOD WINDOWS					
MANUFACTURER: PEETZ WINDOWS & DOORS 5783 S.W. 40TH STREET, PMB 220 MIAMI, FL 33155 305-665-0291					
CONSULTANTS: W. W. SCHAEFER ENGINEERING & CONSULTING, P.A. 8803 N. WILSON WAY, SUITE 6-304 PALM BEACH GARDENS, FL 33410 PHONE: 561-775-4902 FAX: 561-775-4903					
DRAWING NO. 1320					
SHEET NO. 4 OF 9					
CERTIFICATION: JUL 14 2005 W. W. SCHAEFER, P.E. WARRANTY NO. 44133					

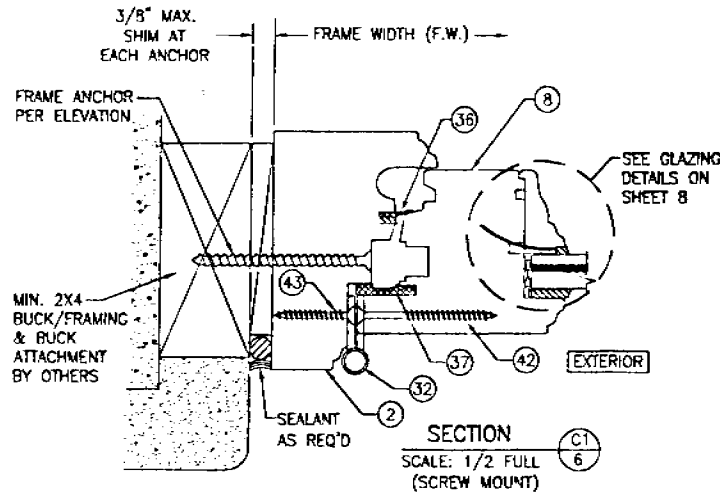
Approved as consulting with the
Florida Building Code
Name: W. W. Schaefer
PCA: 0-000000
W-000000 Product Control
Division:
By: W. W. Schaefer



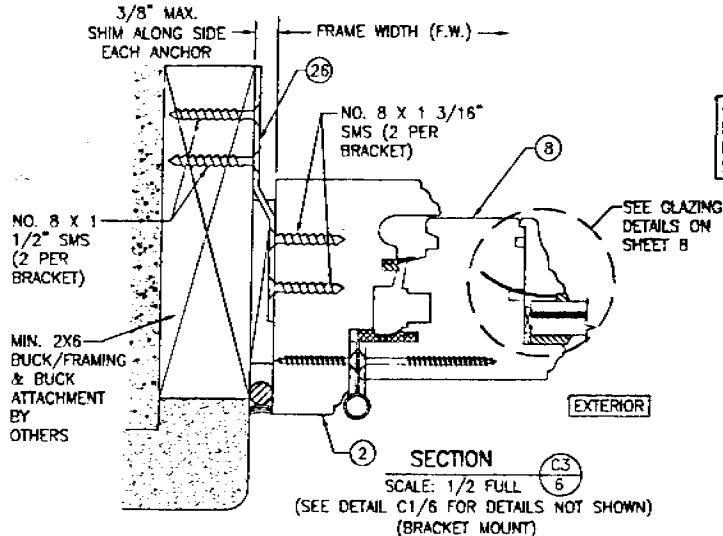
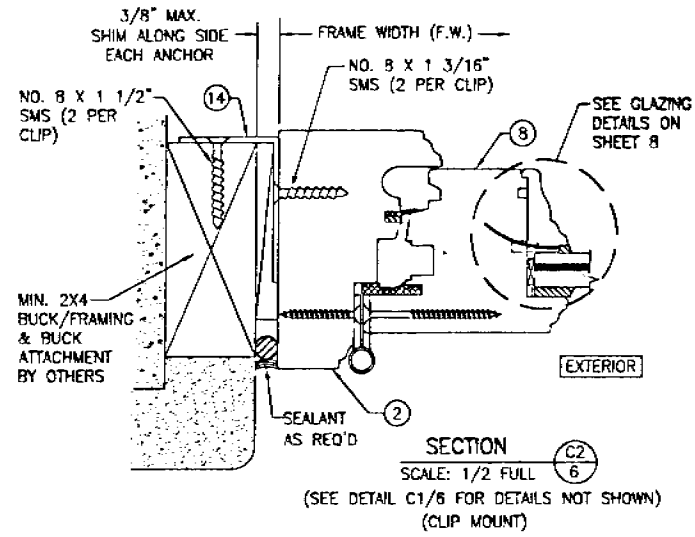
DRAWN BY:		CHECKED BY:	
DATE:		DATE:	
14	05		
REVISION DESCRIPTION			
NO.	DESCRIPTION	DATE	BY
DRAWING TITLE: AMERICAN OUT-SWING CASEMENT IMPACT WOOD WINDOWS			
MANUFACTURER: PEETZ WINDOWS & DOORS 5783 S.W. 40TH STREET, PMB 220 MIAMI, FL 33155 305-663-0291			
CONSULTANTS: W. W. SCHAEFER ENGINEERING & CONSULTING, P.A. 8883 N. MILITARY TRAIL, SUITE C-204 PALM BEACH GARDENS, FL 33410 PHONE: 561-775-4802 FAX: 561-775-4803			
CERTIFICATION: W. W. SCHAEFER, P.E.			
DATE: JUL 14 2005			
SHEET NO. 5 OF 9			



SECTION B
SCALE: 1/2 FULL

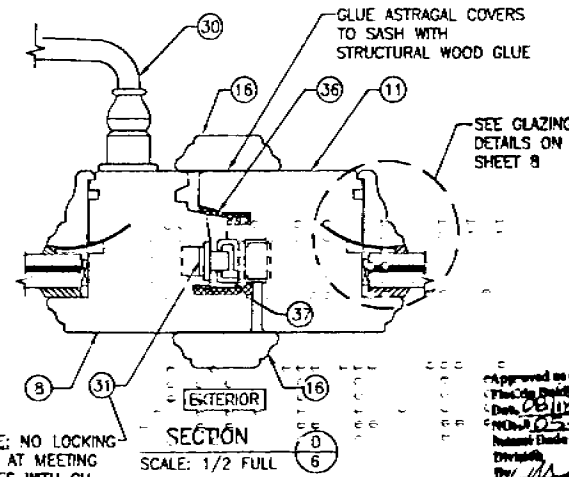


BUCK CONDITION SHOWN. METAL STUD OR STRUCTURAL STEEL SUBSTRATES ALSO APPLY IN LIEU OF BUCKS PER FRAME ANCHOR REQUIREMENTS TABLE ON SHEET 1



BUCK CONDITION SHOWN. METAL STUD OR STRUCTURAL STEEL SUBSTRATES ALSO APPLY IN LIEU OF BUCKS PER FRAME ANCHOR REQUIREMENTS TABLE ON SHEET 1

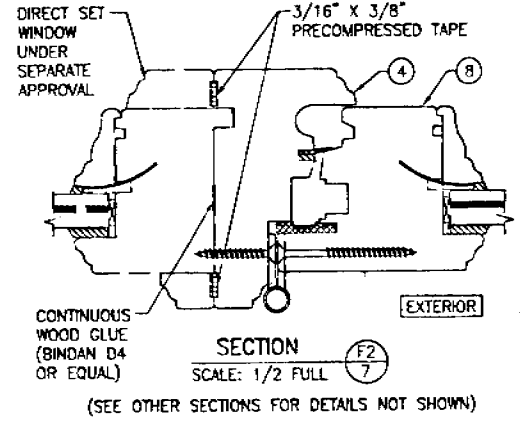
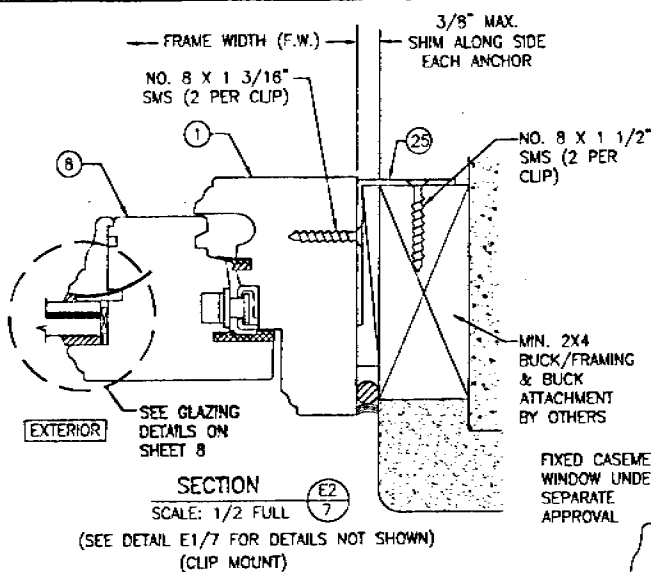
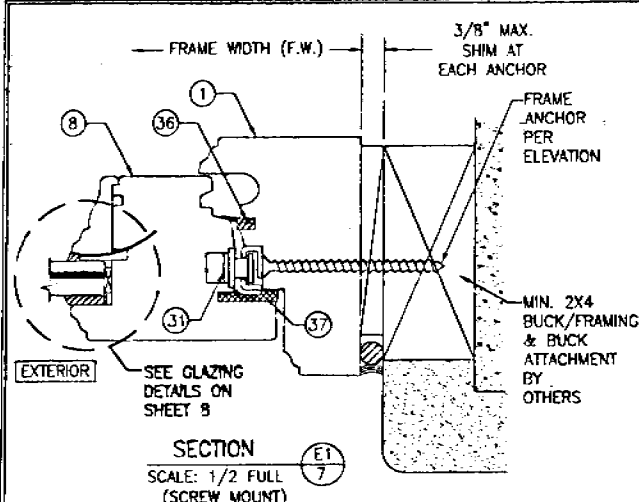
CLIPS & BRACKETS MAY BE POSITIONED AT THE INTERIOR OR EXTERIOR SIDE OF THE WINDOW



NOTE: NO LOCKING CAM AT MEETING STILES WITH GU LOCK SYSTEM

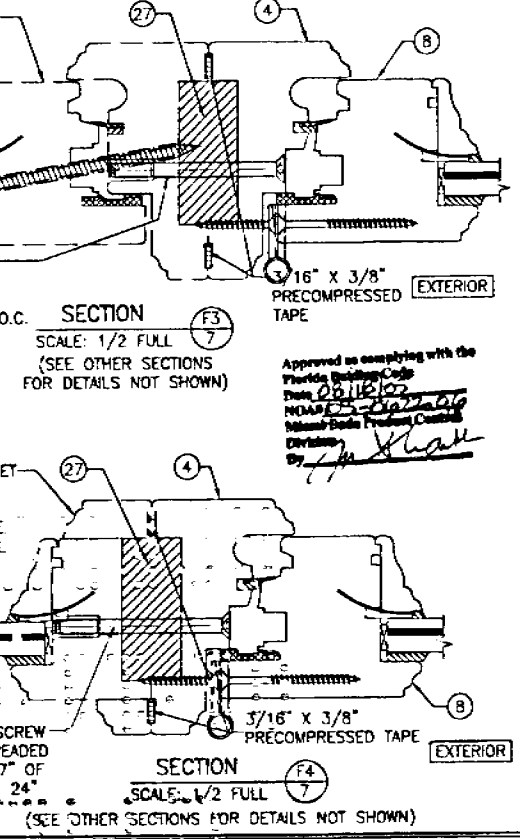
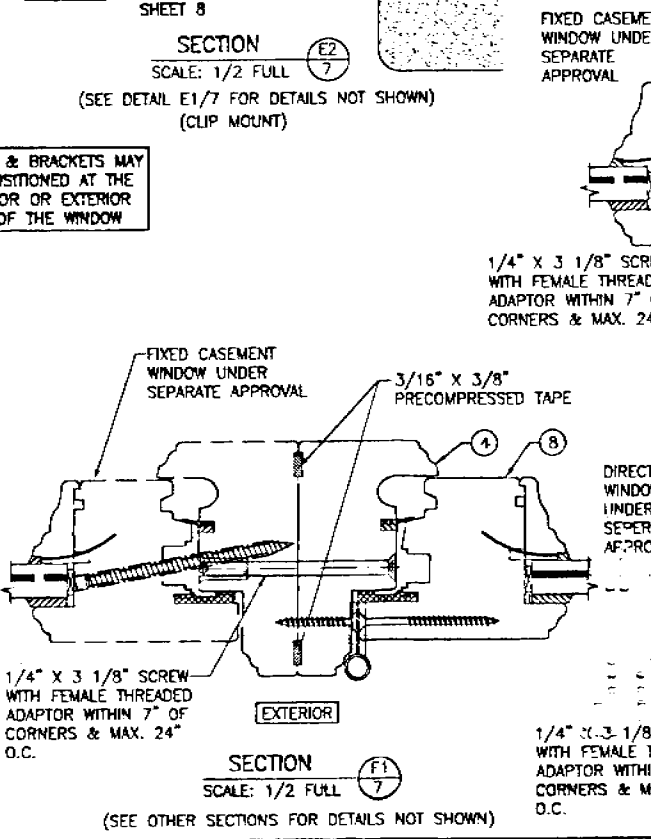
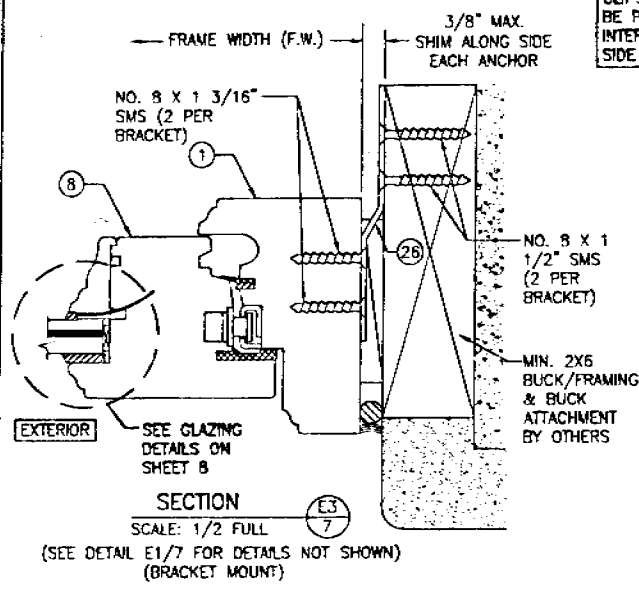
Approved as complying with the Florida Building Code
Date: 05-08-05
W. W. Schaefer
Professional Seal
W. W. Schaefer, P.E.
No. 14133

DRAWN BY:	CHECKED BY:
S.T.A.	R.S.S.
PLT: 102	DATE: 3/14/05
DATE:	
BY:	
REVISION DESCRIPTION:	
NO.	
DRAWING TITLE: AMERICAN OUT-SWING CASEMENT IMPACT WOOD WINDOWS	
MANUFACTURER: PRETZ WINDOWS & DOORS	
5783 S.W. 40TH STREET, PMB 220	
MIAMI, FL 33155	
305-665-0291	
CONSULTANTS: W. W. SCHAEFER ENGINEERING & CONSULTING, P.A.	
1805 N. WASHINGTON TRAIL, SUITE 2004	
PALM BEACH, FLORIDA 33410	
PHONE: 561-775-1902 FAX: 561-775-4903	
CERTIFICATION:	
JUL 14 2005	
DESIGNED BY:	REV:
1320	
SHEET NO.:	
01	OF 09



BUCK CONDITION SHOWN. METAL STUD OR STRUCTURAL STEEL SUBSTRATES ALSO APPLY IN LIEU OF BUCKS PER FRAME ANCHOR REQUIREMENTS TABLE ON SHEET 1

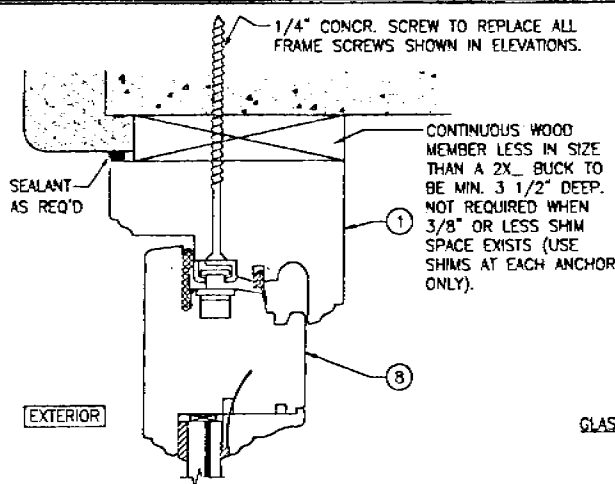
CLIPS & BRACKETS MAY BE POSITIONED AT THE INTERIOR OR EXTERIOR SIDE OF THE WINDOW



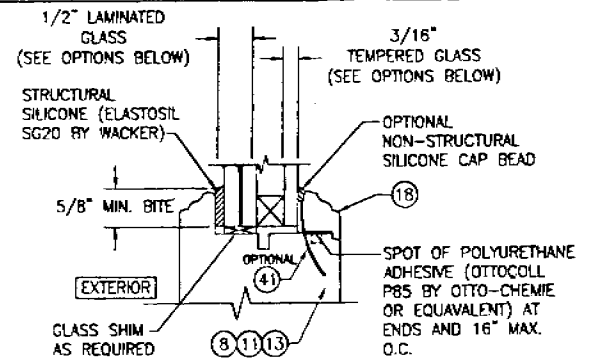
Approved as complying with the Florida Building Code
Date: 08/16/05
W.W. Schaefer Engineering & Consulting, P.A.
6888 N. W. 117th Ave., Suite C-104
Palm Beach Gardens, FL 33410
Phone: 561-775-4902 Fax: 561-775-4803
Division: *[Signature]*

DRAWN BY: E.E.Z.	CHECKED BY: W.M.S.
PLT: 1-2	DATE: 5/14/05
NO.	REVISION DESCRIPTION
BY	DATE
DESCRIPTION	
DRAWING TITLE: AMERICAN OUT-SWING CASEMENT IMPACT WOOD WINDOWS	
CONSULTANTS:	MANUFACTURER:
W. W. SCHAEFER ENGINEERING & CONSULTING, P.A.	PEETZ WINDOWS & DOORS
6888 N. W. 117th Ave., Suite C-104	5783 S.W. 40th Street, PMB 220
Palm Beach Gardens, FL 33410	Miami, FL 33155
PHONE: 561-775-4902 FAX: 561-775-4803	305-665-0291
CERTIFICATION:	
JUL 2005	
W.W. SCHAEFER, P.E.	
MEMBER, P.E. NO. 44133	
DRAWING NO. 1320	
SHEET NO. 7	OF 9

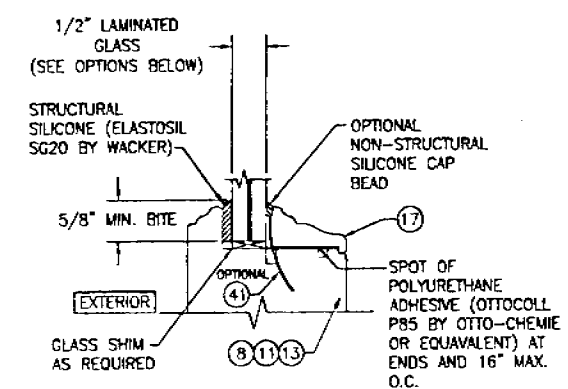
DESIGNER	DATE	CHECKED BY	DATE
PLT	1-2	W.S.	1/2/85
NO.	DESCRIPTION	BY	
1	AMERICAN OUT-SWING CASEMENT IMPACT WOOD WINDOWS		
MANUFACTURER		PRETZ WINDOWS & DOORS	
CONSULTANTS		5783 S.W. 40TH STREET, PMB 220	
		MIAMI, FL 33155	
		305-665-0291	
DRAWING TITLE		AMERICAN OUT-SWING CASEMENT IMPACT WOOD WINDOWS	
W. W. SCHAEFER ENGINEERING & CONSULTING, P.A.		808 N. BIRCHWAY DRIVE, SUITE 204	
		MIAMI, FL 33155	
		PHONE: 381-775-4002 FAX: 381-775-1003	
CERTIFICATION	JUL 14 2005	W. W. SCHAEFER	
1320		P. E.	
SHEET NO.	9		



OPTIONAL DIRECT MOUNT DETAIL TO BLOCK OR CONCRETE WITH SPACER OR SHIM
HEAD SECTION SHOWN, SIDES AND SILL SIMILAR

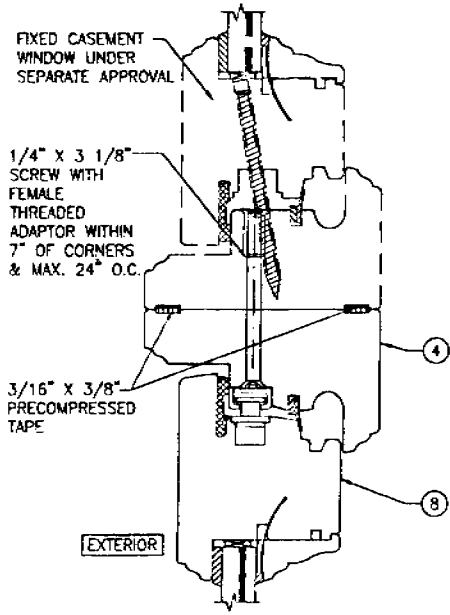


I.G. GLAZING DETAIL
GLASS OPTION: 1. 1/2" THICK SOLUTIA SAFLEX III LAMINATED OUTER GLASS (3/16" AN/0.09 SAFLEX III PVB/1/4" AN); 3/16" TEMPERED SINGLE PANE INNER GLASS & 1/2" AIR SPACE
2. 1/2" THICK SOLUTIA VANCEVA LAMINATED OUTER GLASS (3/16" AN/0.075" VANCEVA/1/4" AN); 3/16" TEMPERED SINGLE PANE INNER GLASS & 1/2" AIR SPACE



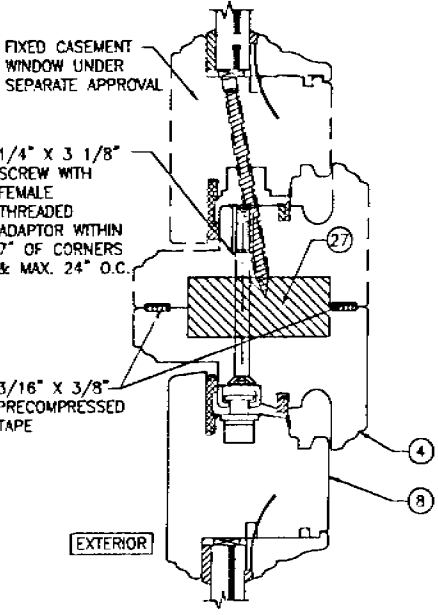
NON-I.G. GLAZING DETAIL
GLASS OPTION: 1. 1/2" THICK SOLUTIA SAFLEX III LAMINATED GLASS (3/16" AN/0.09 SAFLEX III PVB/1/4" AN)
2. 1/2" THICK SOLUTIA VANCEVA LAMINATED GLASS (3/16" AN/0.075" VANCEVA/1/4" AN)

Approved as complying with the Florida Building Code
Date: 06/10/05
W.W. Schaefer
Miami-Dade Building Official
Division
By: *W. Schaefer*



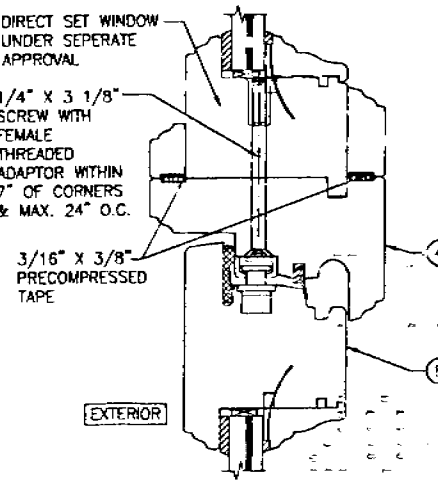
SECTION G1
SCALE: 1/2 FULL
8

(SEE DETAIL A1/5 FOR DETAILS NOT SHOWN)



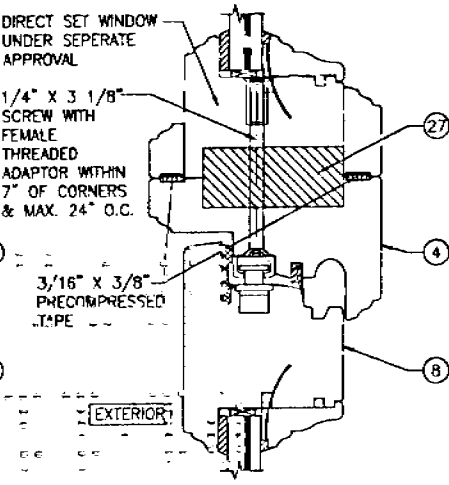
SECTION G2
SCALE: 1/2 FULL
8

(SEE DETAIL A1/5 FOR DETAILS NOT SHOWN)



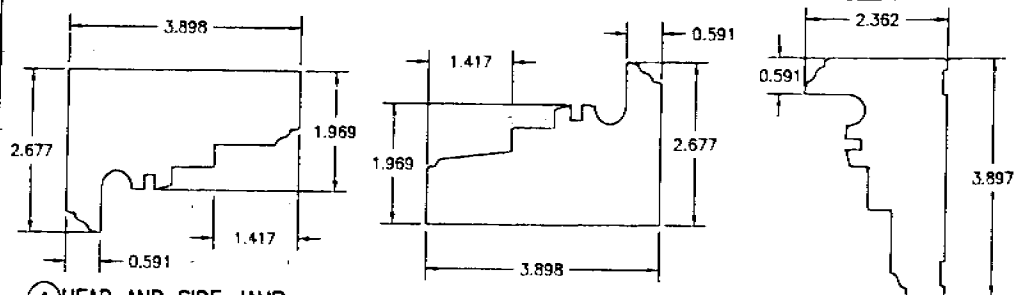
SECTION G3
SCALE: 1/2 FULL
8

(SEE DETAIL A1/5 FOR DETAILS NOT SHOWN)



SECTION G4
SCALE: 1/2 FULL
8

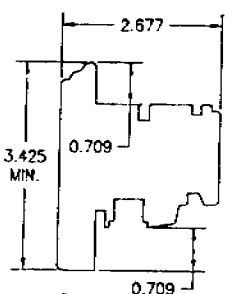
(SEE DETAIL A1/5 FOR DETAILS NOT SHOWN)



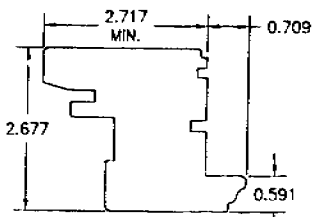
1 HEAD AND SIDE JAMB

2 SILL JAMB

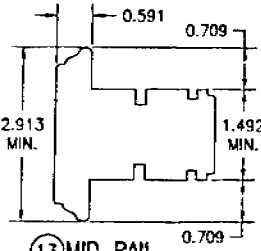
5 MULLION JAMB
(NOTCH OUTS FOR REINFORCEMENTS NOT SHOWN)



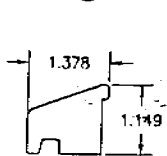
8 SASH



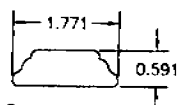
11 MEETING SASH



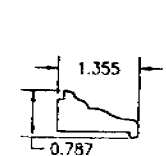
13 MID RAIL



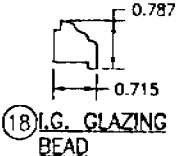
15 SILL DRIP



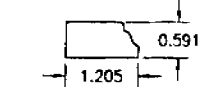
16 ASTRAGAL COVER



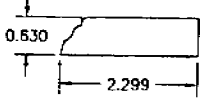
17 NON-I.G. GLAZING BEAD



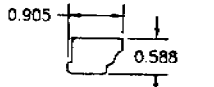
18 I.G. GLAZING BEAD



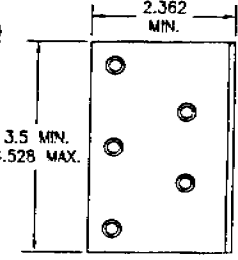
19 JAMB MOLDING



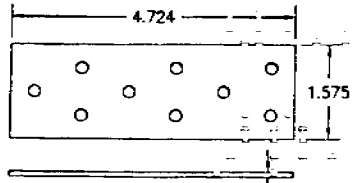
20 JAMB MOLDING



23 JAMB MOLDING



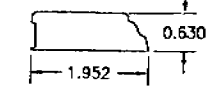
25 FRAME INSTALLATION CLIP



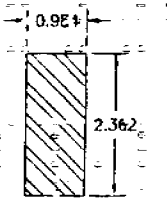
26 FRAME INSTALLATION BRACKET



22 JAMB MOLDING



24 JAMB MOLDING



27 TRANSOM MULLION REINFORCEMENT

ITEM #	ITEM DESCRIPTION	MANUFACTURER/NOTES
PARTS		
1	HEAD AND SIDE JAMB	MAHOGANY
2	SILL JAMB (OUTSWING)	MAHOGANY
5	MULLION JAMB	MAHOGANY
8	SASH (OUTSWING)	MAHOGANY
11	MEETING SASH (OUTSWING)	MAHOGANY
13	MID RAIL	MAHOGANY
15	SILL DRIP	MAHOGANY
16	ASTRAGAL COVER	MAHOGANY
17	NON-I.G. GLAZING BEAD	MAHOGANY
18	I.G. GLAZING BEAD	MAHOGANY
19	JAMB MOLDING	MAHOGANY
20	JAMB MOLDING	MAHOGANY
22	JAMB MOLDING	MAHOGANY
23	JAMB MOLDING	MAHOGANY
24	JAMB MOLDING	MAHOGANY
25	FRAME INSTALLATION CLIP	GALVANIZED 34.1 KSI STEEL
26	FRAME INSTALLATION BRACKET	GALVANIZED 34.1 KSI STEEL
27	MULLION REINFORCEMENT	A36 STEEL (FY = 36 KSI)
HARDWARE		
30	LOCK HANDLE	AS REQUIRED TO OPERATE LOCKS
31	MULTI-POINT LOCK SYSTEM	GU, ROTO OR SEGENIA MUSHROOM CAM SYSTEM
32	HINGE (2 3/16" X 5 1/2")	BRASS, PLATED STEEL, OR S.S. BY BROS
SEALS AND SEALANTS		
36	SWEEP	GTG EPDM
37	COMPRESSION SEAL	SCHLEGEL
38	3/8" X 3/16" PRECOM PRESSED TAPE	N/A
FASTENERS		
40	.295" X 3 5/8" AMO III GALVANIZED STEEL SCREWS	5 1/2" FROM INNER CORNERS & 14" O.C.
41	OPTIONAL 18 GA. X 1 1/4" GALVANIZED CURVED NAIL	10" FROM CORNERS & 20" O.C.
42	3/16" X 1 3/16" SCREWS	4 PER HINGE (Ø DOOR)
43	3/16" X 2 3/4" SCREWS	4 PER HINGE (Ø JAMB)

NOTE: MAHOGANY USED IN TESTING WAS MERANTI MAHOGANY. OTHER WOOD SPECIES APPLICABLE FOR USE WITH THIS PRODUCT ARE MERBAU, DOUSSIE, SIPO, SAPELLI, HONDURAS MAHOGANY OR OAK. ALL WOOD IS MINIMUM GRADE 2 MILLED BY PEETZ TO SELECT.

Approved as complying with the Florida Building Code
 Florida Building Code
 2004
 W. W. Schaefer Engineering & Consulting, P.A.
 6905 W. MacArthur Blvd., Suite C-204
 Miami, Florida 33147
 Phone: 305-775-1822 Fax: 305-775-1823

DRAWN BY: STA CHECKED BY: R.W.S. DATE: 1/05	DATE: 1/05
REVISION DESCRIPTION NO. DATE	MANUFACTURER PEETZ WINDOWS & DOORS 5783 S.W. 40TH STREET, PMB 220 MIAMI, FL 33155 305-665-0291
DRAWING TITLE AMERICAN OUT-SWING CASEMENT IMPACT WOOD WINDOWS	CONSULTANT W. W. SCHAEFER ENGINEERING & CONSULTING, P.A. 6905 W. MACARTHUR BLVD., SUITE C-204 MIAMI, FL 33147 PHONE: 305-775-1822 FAX: 305-775-1823
CERTIFICATION JUL 2005	W. W. SCHAEFER, P.E. 1320 SHEET NO. 9 OF 9



BUILDING CODE COMPLIANCE OFFICE (BCCO)
PRODUCT CONTROL DIVISION

MIAMI-DADE COUNTY, FLORIDA
METRO-DADE FLAGLER BUILDING

140 WEST FLAGLER STREET, SUITE 1603
MIAMI, FLORIDA 33130-1563
(305) 375-2901 FAX (305) 375-2908

www.buildingcodonline.com

NOTICE OF ACCEPTANCE (NOA)

Petz Windows and Doors, Inc.
5783 SW 40th Street PMB 220
Miami, FL 33155

BD701300

SCOPE:

This NOA is being issued under the applicable rules and regulations governing the use of construction materials. The documentation submitted has been reviewed by Miami-Dade County Product Control Division and accepted by the Board of Rules and Appeals (BORA) to be used in Miami Dade County and other areas where allowed by the Authority Having Jurisdiction (AHJ).

This NOA shall not be valid after the expiration date stated below. The Miami-Dade County Product Control Division (In Miami Dade County) and/or the AHJ (in areas other than Miami Dade County) reserve the right to have this product or material tested for quality assurance purposes. If this product or material fails to perform in the accepted manner, the manufacturer will incur the expense of such testing and the AHJ may immediately revoke, modify, or suspend the use of such product or material within their jurisdiction. BORA reserves the right to revoke this acceptance, if it is determined by Miami-Dade County Product Control Division that this product or material fails to meet the requirements of the applicable building code.

This product is approved as described herein, and has been designed to comply with the Florida Building Code, including the High Velocity Hurricane Zone.

DESCRIPTION: American Outswing Wood Doors - L.M.L.

APPROVAL DOCUMENT: Drawing No. 1324, titled "American Outswing Impact Wood Door", sheets 1 through 12 of 12, dated 03/22/05, prepared by W.W. Schaefer Engineering & Consulting, P.A., signed and sealed by Warren Schaefer, P.E., bearing the Miami-Dade County Product Control Approval stamp with the Notice of Acceptance number and approval date by the Miami-Dade County Product Control Division.

MISSILE IMPACT RATING: Large and Small Missile Impact

LABELING: Each unit shall bear a permanent label with the manufacturer's name or logo, city, state and following statement: "Miami-Dade County Product Control Approved, unless otherwise noted herein."

RENEWAL of this NOA shall be considered after a renewal application has been filed and there has been no change in the applicable building code negatively affecting the performance of this product.

TERMINATION of this NOA will occur after the expiration date or if there has been a revision or change in the materials, use, and/or manufacture of the product or process. Misuse of this NOA as an endorsement of any product, for sales, advertising or any other purposes shall automatically terminate this NOA. Failure to comply with any section of this NOA shall be cause for termination and removal of NOA.

ADVERTISEMENT: The NOA number preceded by the words Miami-Dade County, Florida, and followed by the expiration date may be displayed in advertising literature. If any portion of the NOA is displayed, then it shall be done in its entirety.

INSPECTION: A copy of this entire NOA shall be provided to the user by the manufacturer or its distributors and shall be available for inspection at the job site at the request of the Building Official. This NOA consists of this page 1 and evidence pages E-1, and E-2, as well as approval document mentioned above.

The submitted documentation was reviewed by Herminio F. Gonzalez, P.E., Director, BCCO



Handwritten signatures and dates: 7/20/2005, 11/1/07

NOA No 05-0622.02
Expiration Date: August 18, 2010
Approval Date: August 18, 2005
Page 1

Peetz Windows and Doors, Inc.

NOTICE OF ACCEPTANCE: EVIDENCE SUBMITTED

A. DRAWINGS

1. Manufacturer's die drawings and sections.
2. Drawing No. 1324, titled "American Outswing Impact Wood Door", sheets 1 through 12 of 12, dated 03/22/05, prepared by W.W. Schaefer Engineering & Consulting, P.A., signed and sealed by Warren Schaefer, P.E.

B. TESTS

1. Test reports on
 - 1) Air Infiltration Test, per FBC, TAS 202-94
 - 2) Uniform Static Air Pressure Test, Loading per FBC, TAS 202-94.
 - 3) Water Resistance Test, per FBC, TAS 202-94.
 - 4) Large Missile Impact Test per FBC, TAS 201-94
 - 5) Cyclic Wind Pressure Loading per FBC, TAS 203-94
 - 6) Forced Entry Test, per FBC 2411 3.2.1 and TAS 202-94

along with the manufacturer's parts drawings, installation diagram and marked-up drawings of a outswing wood door prepared by Hurricane Test Laboratory, Inc. Test Report No. HTL-0284-1018-04, dated 06/03/05, signed and sealed by Vinu J. Abraham, P.E.

2. Test reports on
 - 1) Air Infiltration Test, per FBC, TAS 202-94
 - 2) Uniform Static Air Pressure Test, Loading per FBC, TAS 202-94.
 - 3) Water Resistance Test, per FBC, TAS 202-94.
 - 4) Large Missile Impact Test per FBC, TAS 201-94
 - 5) Cyclic Wind Pressure Loading per FBC, TAS 203-94
 - 6) Forced Entry Test, per FBC 2411 3.2.1 and TAS 202-94

along with the manufacturer's parts drawings, installation diagram and marked-up drawings of a outswing wood door window prepared by Hurricane Test Laboratory, Inc. Test Report No. HTL-0284-0114-05, dated 06/03/05, signed and sealed by Vinu J. Abraham, P.E.

C. CALCULATIONS

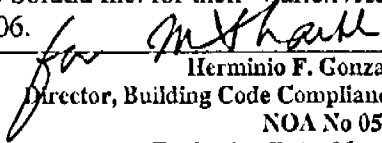
1. Anchor Calculations and structural analysis, prepared by W.W. Schaefer Engineering & Consulting, P.A., dated 04/13/05, signed and sealed by Warren Schaefer, P.E.
2. Revised Anchor Calculations and structural analysis, prepared by W.W. Schaefer Engineering & Consulting, P.A., dated 07/13/05, signed and sealed by Warren Schaefer, P.E.

D. QUALITY ASSURANCE

1. Miami Dade Building Code Compliance Office (BCCO).

E. MATERIAL CERTIFICATIONS

1. Notice of Acceptance No. 01-0205.02 issued to Solutia Inc. for their "Saflex /Keepsafe Maximum" dated 05/17/01, expiring on 05/21/06.


Herminio F. Gonzalez, P.E.
Director, Building Code Compliance Office
NOA No 05-0622.02
Expiration Date: May 22, 2008
Approval Date: August 04, 2005

Peetz Windows and Doors, Inc.

NOTICE OF ACCEPTANCE: EVIDENCE SUBMITTED

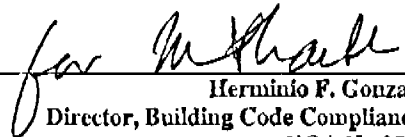
2. Notice of Acceptance No. 03-0415.13 issued to Solutia Inc. for their "Vanceva Composites" dated 12/11/03, expiring on 12/11/08.

F. STATEMENTS

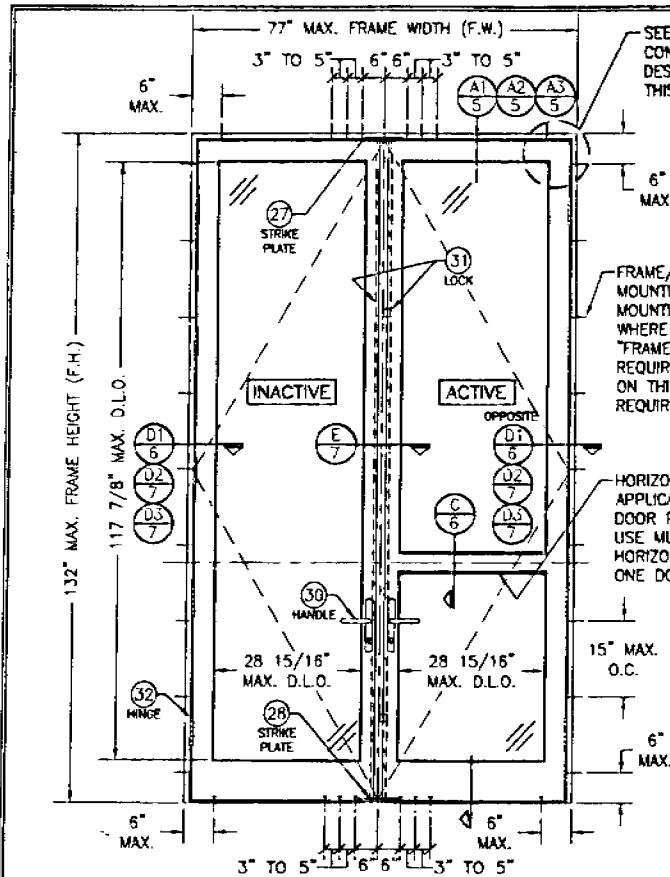
1. Statement letter of conformance and no financial interest, dated June 10, 2005, signed and sealed by Warren Schaeffer, P.E.

G. OTHER

1. Letter from the consultant stating that the product is in compliance with the Florida Building Code (FBC).



Herminio F. Gonzalez, P.E.
Director, Building Code Compliance Office
NOA No 05-0622.02
Expiration Date: May 22, 2008
Approval Date: August 04, 2005



EXTERIOR ELEVATION
DOUBLE RECTANGULAR OUTSWING DOOR
SCALE: 1/2" = 1'-0"

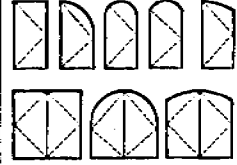
GENERAL NOTES

1. THESE DOOR SYSTEMS HAVE BEEN TESTED, ANALYZED AND APPROVED FOR DESIGN PRESSURES NOT TO EXCEED THOSE SHOWN IN THE "ALLOWABLE DESIGN LOADS" TABLE(S).
2. BUCKING, OPENINGS & BUCKING FASTENERS MUST BE PROPERLY DESIGNED & INSTALLED TO TRANSFER WIND LOADS TO THE STRUCTURE.
3. ALL HARDWARE & FASTENERS SHALL BE IN ACCORDANCE WITH THESE DRAWINGS & MAY NOT VARY UNLESS SPECIFICALLY MENTIONED ON THE DRAWINGS.
4. THE DETAILS & SPECIFICATIONS SHOWN HEREIN REPRESENT THE PRODUCTS TESTED & PROPOSED FOR WATER, AIR, IMPACT, CYCLIC & UNIFORM STATIC AIR PRESSURE TESTING IN CONFORMANCE WITH THE 2004 FLORIDA BUILDING CODE PROTOCOLS TAS-201, 202 & 203 FOR LARGE MISSILE IMPACT WINDOWS.
5. THESE DOOR SYSTEMS HAVE BEEN DESIGNED IN ACCORDANCE WITH THE 2004 FLORIDA BUILDING CODE (FBC) INCLUDING HIGH VELOCITY HURRICANE ZONES (MHZ).
6. IMPACT SHUTTERS ARE NOT REQUIRED WITH THESE DOORS.
7. ALL ANCHORS SHALL BE INSTALLED AS SPECIFIED ON THESE DRAWINGS. SPECIFIED EMBEDMENT TO BASE MATERIAL SHALL BE BEYOND WALL FINISH OR STUCCO.
8. ALL FRAME ANCHORS SECURING WINDOW FRAME TO PRESSURE TREATED BUCKS OR WOOD FRAMING SHALL BE CAPABLE OF RESISTING CORROSION CAUSED BY THE PRESSURE TREATING CHEMICALS IN THE WOOD.

CORNER CONSTRUCTION:

JAMBS: COPED, BUTTED TOGETHER, JOINED WITH 3 NO. 10 X 3 1/8" SCREWS & GLUED WITH BONDAN D4 OR EQUAL.
 SILL: MULTI-FORMED, BUTTED & GLUED WITH BONDAN D4 OR EQUAL, OR COPED, BUTTED TOGETHER & JOINED WITH (6) 3/8" X 3 15/16" WOOD DOWELS & GLUED WITH BONDAN D4 OR EQUAL.

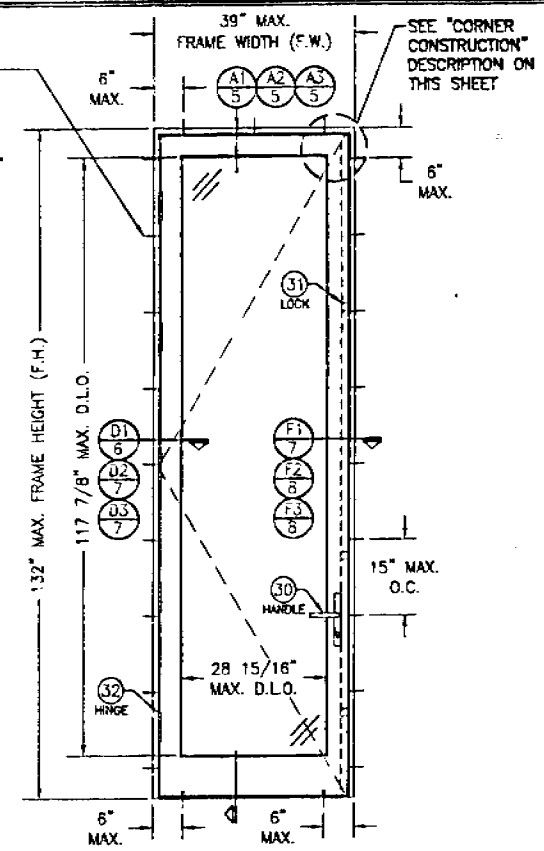
APPROVED SHAPES



NOTES:
 1. OTHER SHAPES MAY APPLY PROVIDED THEY ARE SIMILAR TO THOSE SHOWN & HAVE CORNER CONSTRUCTION AS DESCRIBED ON THIS SHEET.
 2. ALL SHAPED UNITS MUST FIT INSCRIBED INTO THE ALLOWABLE RECTANGULAR UNITS & BE GOVERNED BY THE ALLOWABLE PRESSURE OF THE RESPECTIVE RECTANGULAR UNIT.

ALLOWABLE DESIGN PRESSURE (SINGLE, DOUBLE & TRANSOM MULLED DOORS)	
+/- 70 PSF	
FOR VERTICAL MULLION ALLOWABLE PRESSURE, SEE MULLION LOAD TABLE ON SHEET 4	

FRAME/SILL SCREWS, MOUNTING CLIPS, OR MOUNTING BRACKETS WHERE SHOWN. SEE "FRAME ANCHOR REQUIREMENTS TABLE" ON THIS SHEET FOR REQUIREMENTS.



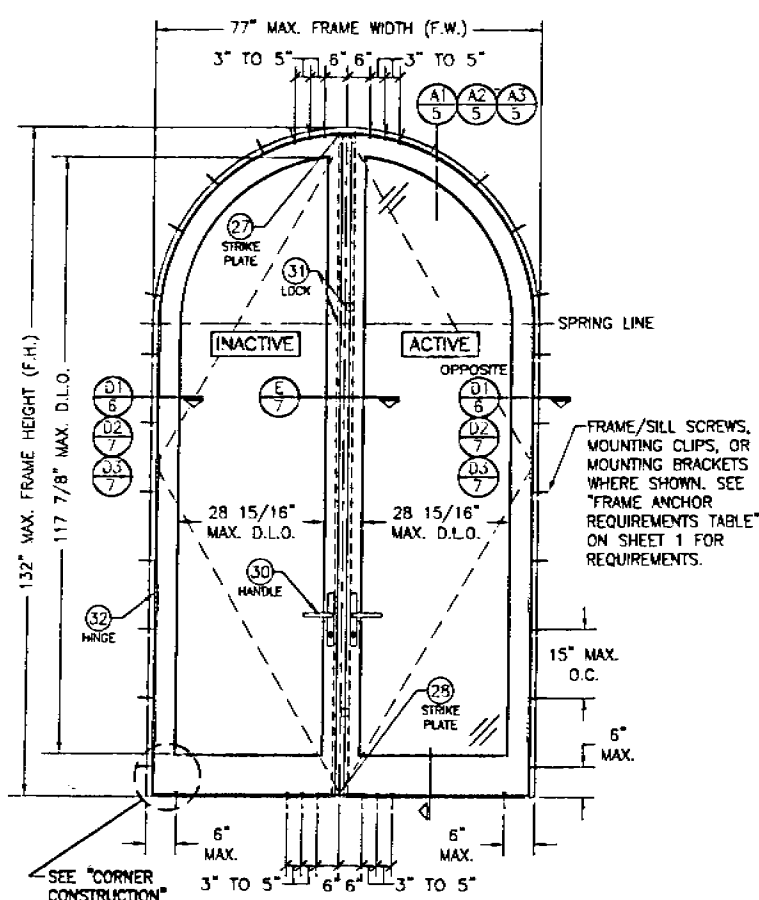
EXTERIOR ELEVATION
SINGLE RECTANGULAR OUTSWING DOOR
SCALE: 1/2" = 1'-0"

FRAME ANCHOR REQUIREMENTS TABLE			
SHEAR SCREWS			
MIN. OPENING TYPE (SUBSTRATE)	JAMBS TO OPENING FASTENER TYPE	MINIMUM EMBED	MINIMUM EDGE DIST.
2X WOOD FRAME OR BUCK	NO. 14 SMS SCREW	1 1/4"	1/4"
CMU/CONCRETE	(1) 1/4" CONCRETE SCREW	1 1/4"	2"
MIN. 18 GA. 33 KSI METAL STUD OR 36 KSI STRUCTURAL STEEL	NO. 14 SELF TAPPING SCREWS	FULL	1/2"
MOUNTING CLIP SCREWS			
2X WOOD FRAME OR BUCK	NO. 8 X 1 1/2" SMS SCREWS	3 3/8"	1/2"
MIN. 1/8" THICK 36 KSI STEEL	NO. 8 SELF TAPPING SCREWS	FULL	1/4"
MOUNTING-BRACKET SCREWS			
2X WOOD FRAME OR BUCK	NO. 8 X 1 1/2" SMS SCREWS	3 3/8"	1/2"
MIN. 18 GA. 33 KSI METAL STUD OR 36 KSI STRUCTURAL STEEL	NO. 8 SELF TAPPING SCREWS	FULL	1/2"

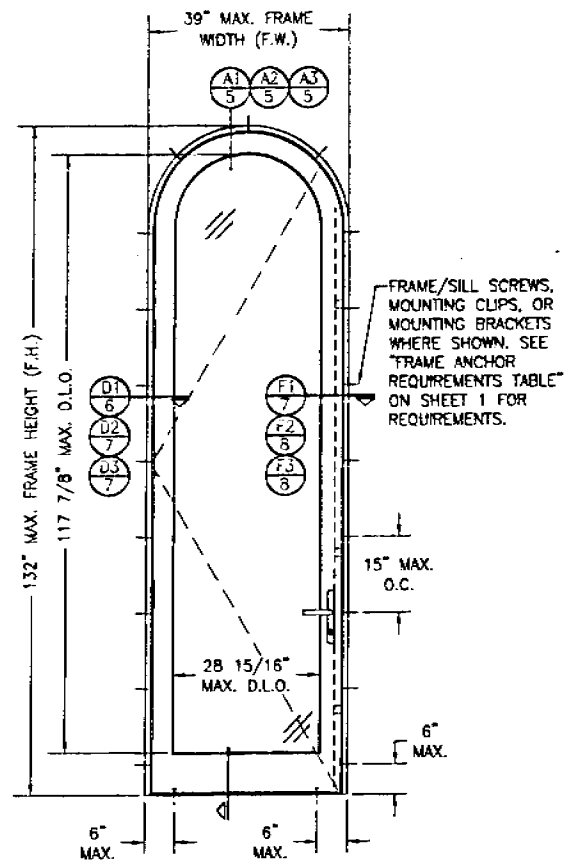
(1) CONCRETE SCREWS SHALL BE ELCO OR ITW RAMSET/RED HEAD (ARCONS OR MILTI KWIK-COM # (HARDENED STEEL OR S.S.)).

DRAWING TITLE AMERICAN OUT-SWING IMPACT WOOD DOORS	MANUFACTURER PREEZ WINDOWS & DOORS 5783 S.W. 40TH STREET, PMB 220 MIAMI, FL 33155 305-665-0291
CONSULTANTS W. SCHAEFER ENGINEERING & CONSULTING, P.A. 500 PALM BEACH BLVD., SUITE 304 PALM BEACH GARDENS, FL 33410 PHONE: 561-775-4002 FAX: 561-775-4003	DRAWING NO. 1324
CHECKED BY DATE 3/22/08	SHEET NO. 1 OF 12

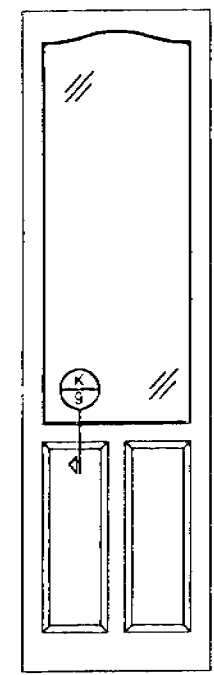
Approved on complying with the Florida Building Code.
 Date: 08/18/08
 NOAH B. DAVIS
 Miami Code Product Control Division
 By: [Signature]



**EXTERIOR ELEVATION
DOUBLE HALF ROUND DOOR**
SCALE: 1/2" = 1'-0"
(OTHER SHAPES APPLY. SEE SHAPES TABLE ON SHEET 1)



**EXTERIOR ELEVATION
SINGLE HALF ROUND DOOR**
SCALE: 1/2" = 1'-0"
(OTHER SHAPES APPLY. SEE SHAPES TABLE ON SHEET 1)

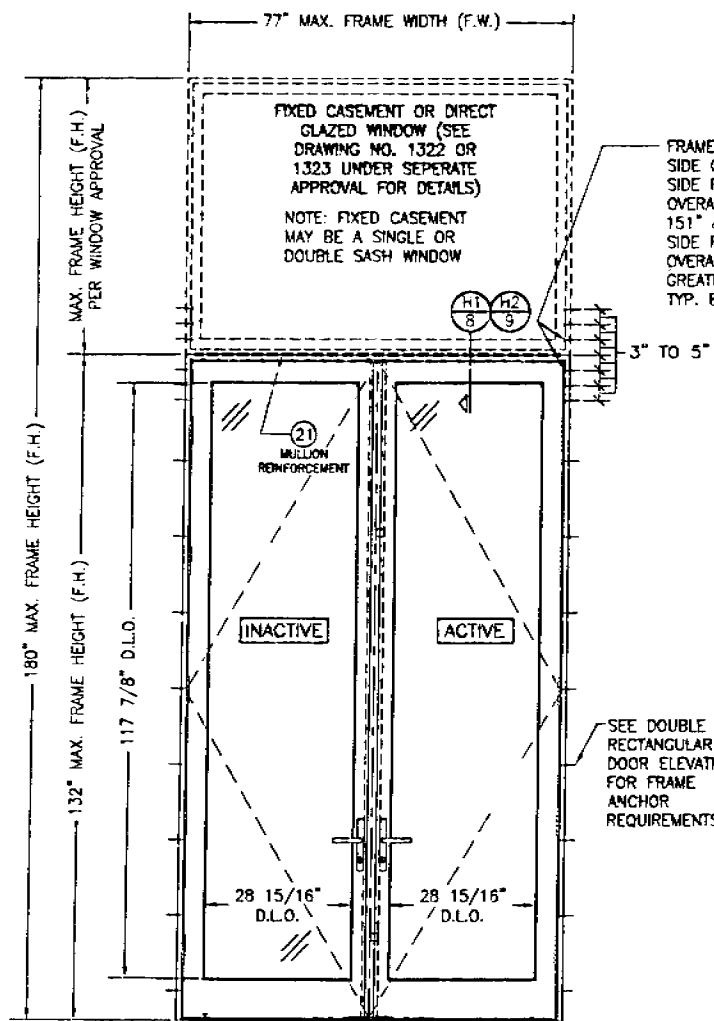


**EXTERIOR ELEVATION SOLID
RAISED PANEL WITH
STANDARD MID RAILS**
SCALE: 1/2" = 1'-0"

1. TOP & MID RAILS MAY BE OF ANY CONFIGURATION PROMOVING THE SMALLEST CROSS SECTION OF RAILS IS EQUAL TO OR LARGER THAN THAT DETAILED IN DRAWINGS.
2. MULTIPLE MID RAIL (BOTH HORIZONTAL & VERTICAL) MAY BE USED WITH THESE PANELS.
3. PARTIAL PANEL CONDITION IS SHOWN ABOVE. FULL PANEL DOORS AND OTHER PANEL CONFIGURATIONS ARE ALSO PART OF THIS APPROVAL AND ARE SIMILAR IN CONSTRUCTION TO THAT SHOWN ABOVE.
4. PANEL ONLY IS SHOWN. FOR INSTALLATION INTO FRAME, SEE OTHER ELEVATIONS.

Approved as complying with the
Florida Building Code
Date: *July 14 2005*
Name: *Warren P. Schaefer*
Miami Trade Product Control
Division
By: *Warren P. Schaefer*

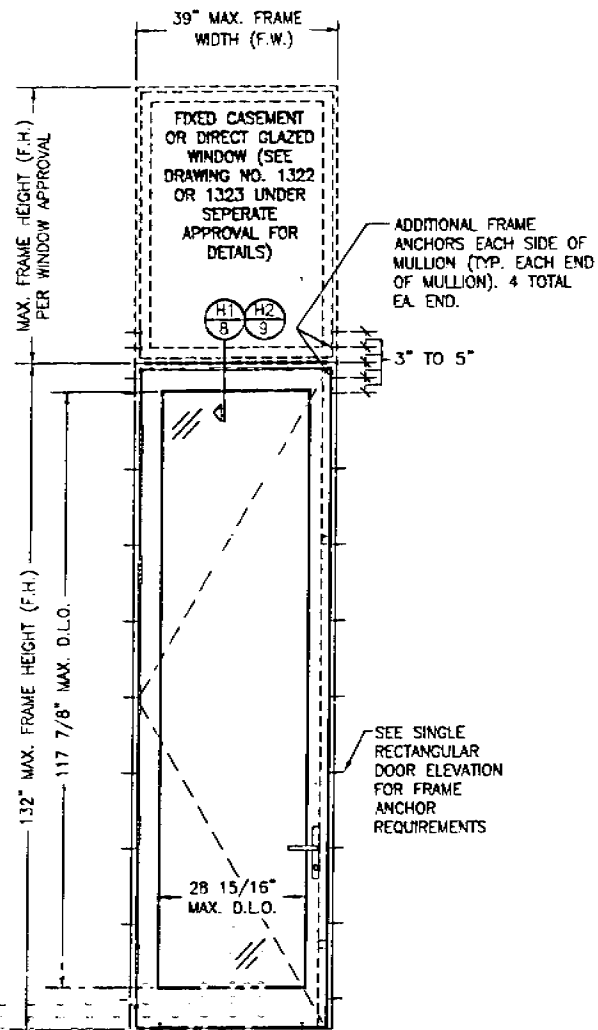
DRAWN BY STR	CHECKED BY M.M.S.
DATE 1/04	DATE 3/22/05
NO.	NO.
REVISION DESCRIPTION	REVISION DESCRIPTION
BY	BY
DATE	DATE
AMERICAN OUT-SWING IMPACT WOOD DOORS	
MANUFACTURER PEITZ WINDOWS & DOORS 5783 S.W. 40TH STREET, PWB 220 MIAMI, FL 33155 305-665-0291	
CONSULTANTS W. W. SCHAEFER ENGINEERING & CONSULTING, P.A. 8088 N. MILITARY TRAIL, SUITE C-204 PALM BEACH GARDENS, FL 33410 PHONE: 561-775-1802 FAX: 561-775-1903	
DRAWING TITLE AMERICAN OUT-SWING IMPACT WOOD DOORS	
CERTIFICATION JUL 14 2005 WARREN P. SCHAEFER, P.E. NO. 44133	
DRAWING NO. 1324	SHEET NO. 2 of 12



EXTERIOR ELEVATION
DOUBLE DOOR WITH TRANSOM

SCALE: 3/4" = 1'-0"

SEE DOUBLE RECTANGULAR DOOR ELEVATION FOR DOOR DETAIL NOT SHOWN



EXTERIOR ELEVATION
SINGLE DOOR WITH TRANSOM

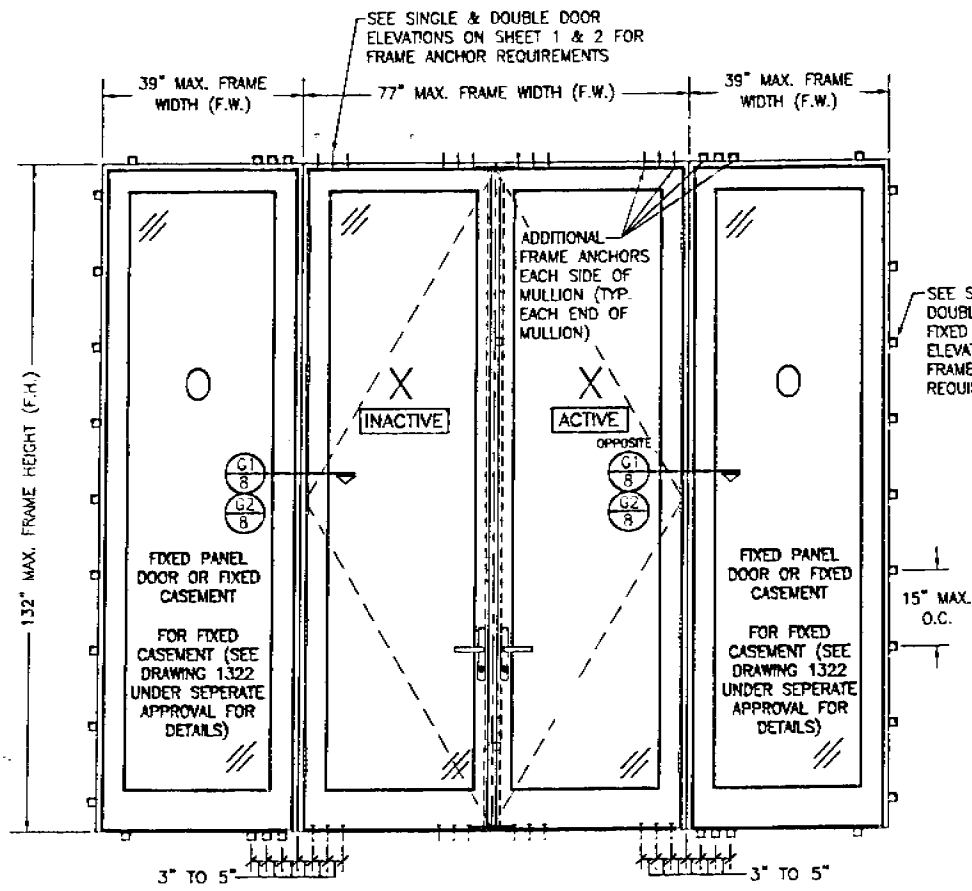
SCALE: 3/4" = 1'-0"

SEE SINGLE RECTANGULAR DOOR ELEVATION FOR DOOR DETAIL NOT SHOWN

NOTE: DOOR MAY ALSO BE A FIXED PANEL DOOR

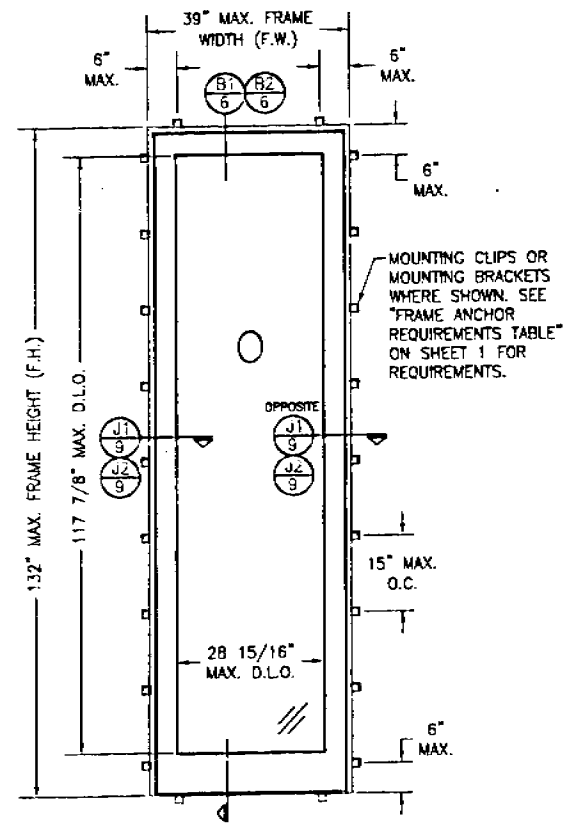
Approved as complying with the
Florida Building Code
Date: 08/10/05
By: W. Schaefer
W. Schaefer, P.E.
Member Florida Professional Council
of Engineers

DRAWN BY: S.T.A.	CHECKED BY: W.M.S.
DATE: 1/26/05	DATE: 5/22/05
NO.	REVISION DESCRIPTION
BY:	
DATE:	
DRAWING TITLE AMERICAN OUT-SWING IMPACT WOOD DOORS	
MANUFACTURER PEITZ WINDOWS & DOORS 5783 S.W. 40TH STREET, PMB 220 MIAMI, FL 33155 303-665-0291	
CONSULTANTS W. W. SCHAEFER ENGINEERING & CONSULTING, P.A. 8885 N. UNIVERSITY TRAIL, SUITE 0-204 PALM BEACH GARDENS, FL 33410 PHONE: 561-775-4802 FAX: 561-775-4803	
CERTIFICATION	DATE: <u>JUL 14 2005</u>
	BY: <u>W. Schaefer</u>
SHEET NO. 1324	
3 OF 12	



**EXTERIOR ELEVATION
DOUBLE OUTSWING DOOR WITH SIDELITES**
SCALE: 3/4" = 1'-0"

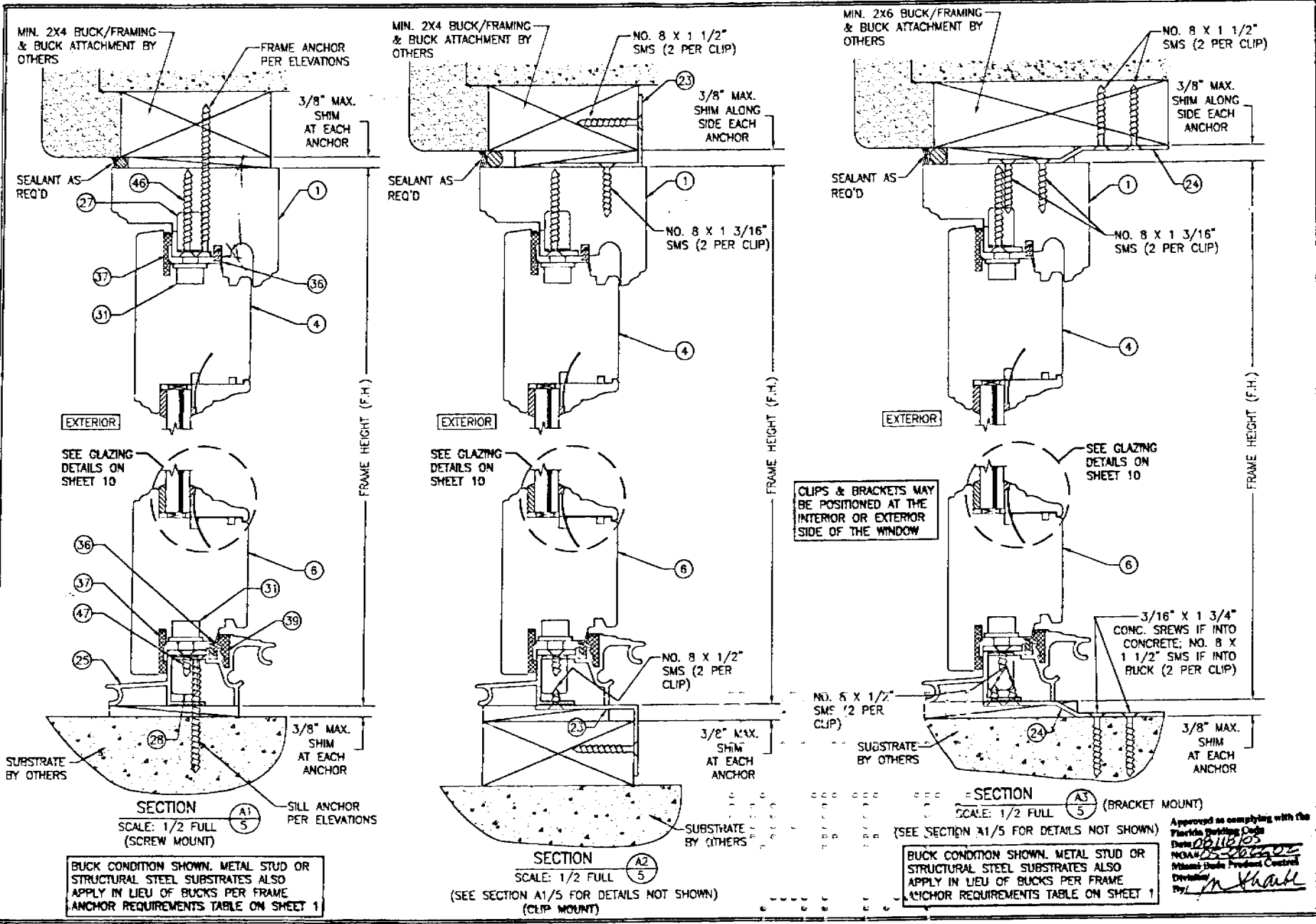
SEE DOUBLE & SINGLE DOOR ELEVATIONS FOR DETAIL NOT SHOWN
(OXXO UNIT SHOWN. ALL OTHER FIXED/OPERABLE COMBINATIONS ALSO APPLY WITH THE MULLION CONDITIONS SHOWN.)



**EXTERIOR ELEVATION
SINGLE FIXED PANEL**
SCALE: 3/4" = 1'-0"

Approved as complying with the Florida Building Code.
Date: 05/11/05
NOAR: 05-000000
Miami Dade Product Control
Division
By: *[Signature]*

DRAWN BY: S.F.A. CHECKED BY: M.S.S. DATE: 3/22/05	NO. REVISION DESCRIPTION BY DATE
PROJECT TITLE AMERICAN OUT-SWING IMPACT WOOD DOORS	
MANUFACTURER PEETZ WINDOWS & DOORS 5783 S.W. 40TH STREET, PMB 220 MIAMI, FL 33155 305-665-0291	
CONSULTANTS W. W. SCHAEFER ENGINEERING & CONSULTING, P.A. 8808 N. MILITARY TRAIL, SUITE C-204 PALM BEACH GARDENS, FL 33410 PHONE: 361-775-1802 FAX: 361-775-1803	
CERTIFICATION JUL 14 2005 W. W. SCHAEFER, P.E. NO. 14153	DRAWING NO. 1324 SHEET NO. 4 of 12

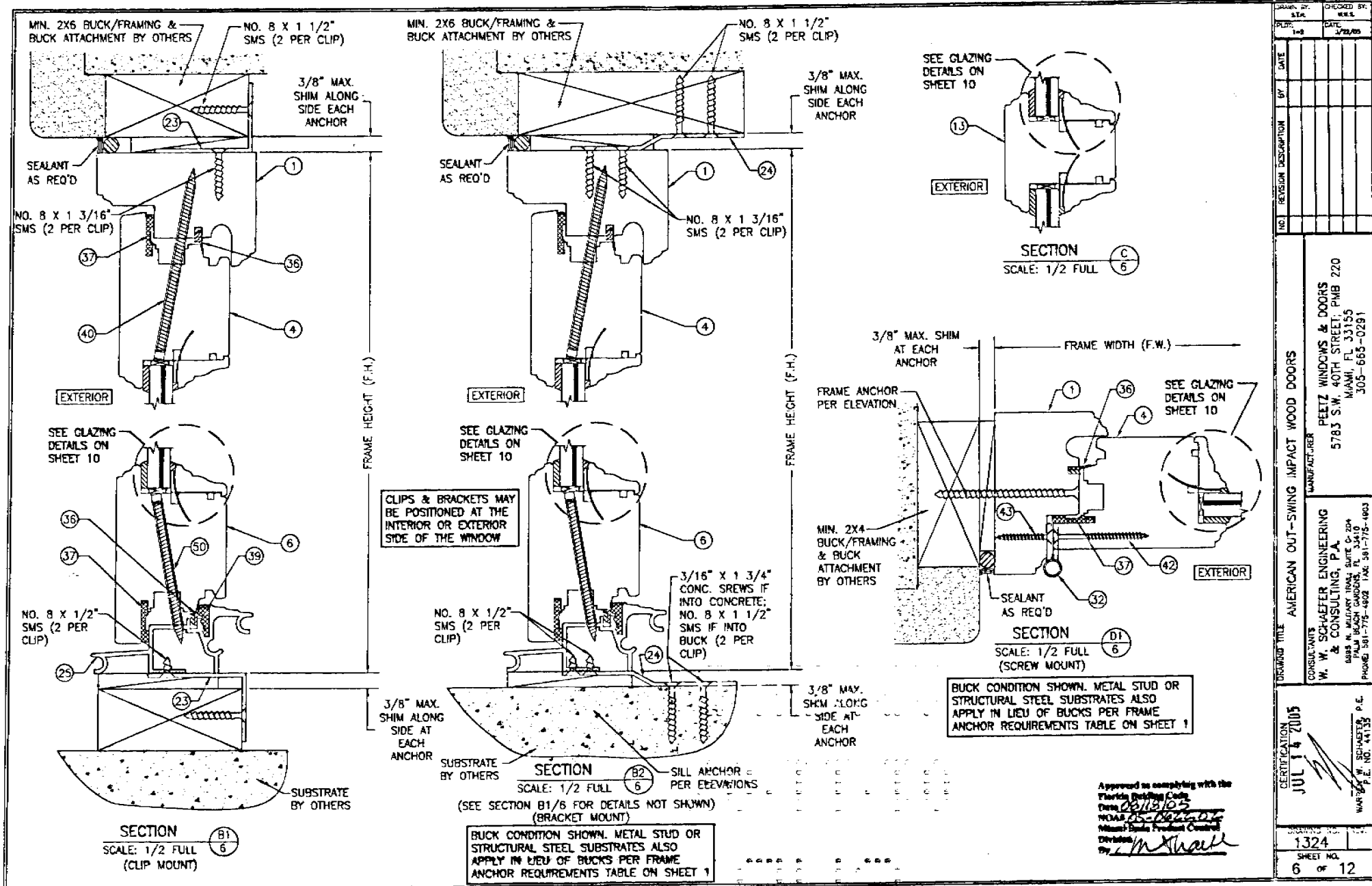


BUCK CONDITION SHOWN. METAL STUD OR STRUCTURAL STEEL SUBSTRATES ALSO APPLY IN LIEU OF BUCKS PER FRAME ANCHOR REQUIREMENTS TABLE ON SHEET 1

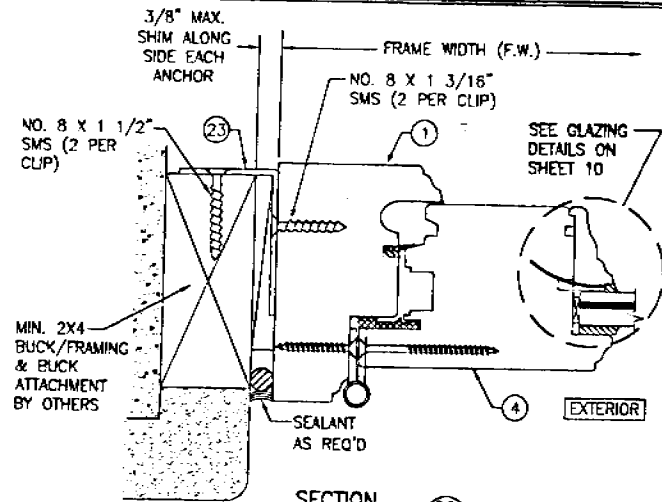
BUCK CONDITION SHOWN. METAL STUD OR STRUCTURAL STEEL SUBSTRATES ALSO APPLY IN LIEU OF BUCKS PER FRAME ANCHOR REQUIREMENTS TABLE ON SHEET 1

Approved as complying with the Florida Building Code
 Date: 06/11/05
 NOAH 05-2002002
 Miami Trade Product Council
 Division
 Phil M. Shaker

DRAWN BY: STA	CHECKED BY: WWS
DATE: 10/14/04	DATE: 1/16/05
BY:	DATE:
REVISION DESCRIPTION:	
NO.	DATE
DRAWING TITLE: AMERICAN OUT-SWING IMPACT WOOD DOORS	
MANUFACTURER: PELETZ WINDOWS & DOORS	
5783 S.W. 40TH STREET, PWB 220	
MIAMI, FL 33155	
305-665-0291	
CONSULTANTS: W. W. SCHAEFER ENGINEERING & CONSULTING, P.A.	MANUFACTURER:
8885 N. MILITARY TRAIL, SUITE C-204 PALM BEACH GARDENS, FL 33410 PHONE 561-775-4802 FAX 561-775-4803	
CERTIFICATION	DATE: JUL 24 2005
NO. 14138	DATE: MAR 24 2005
DATE: JUL 24 2005	
1324	
SHEET NO.	
5	OF 12



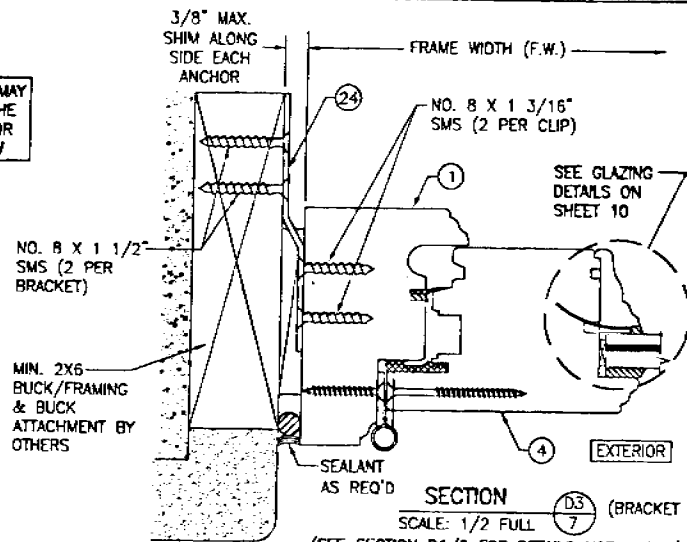
DESIGNED BY: RFA	CHECKED BY: WLS
PLD: 1-08	DATE: 7/22/05
NO.	REVISION DESCRIPTION
BY	DATE
DRAWING TITLE: AMERICAN OUT-SWING IMPACT WOOD DOORS	
MANUFACTURER: PEETZ WINDOWS & DOORS 5783 S.W. 40TH STREET, PMB 220 MIAMI, FL 33155 305-665-0291	
CONSULTANTS: W. W. SCHAEFER ENGINEERING & CONSULTING, P.A. 8885 N. MILITARY TRAIL, SUITE C-204 PALM BEACH GARDENS, FL 33410 PHONE: 561-775-4602 FAX: 561-775-4603	
CERTIFICATION	DATE
JUL 14 2005	
DRAWING NO:	1324
SHEET NO:	6 OF 12



SECTION D2
SCALE: 1/2 FULL

(SEE SECTION D1/6 FOR DETAILS NOT SHOWN)
(CLIP MOUNT)

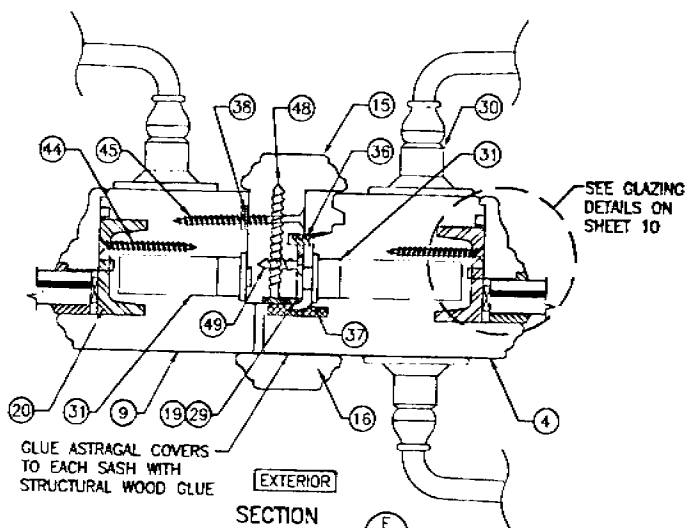
CLIPS & BRACKETS MAY BE POSITIONED AT THE INTERIOR OR EXTERIOR SIDE OF THE WINDOW



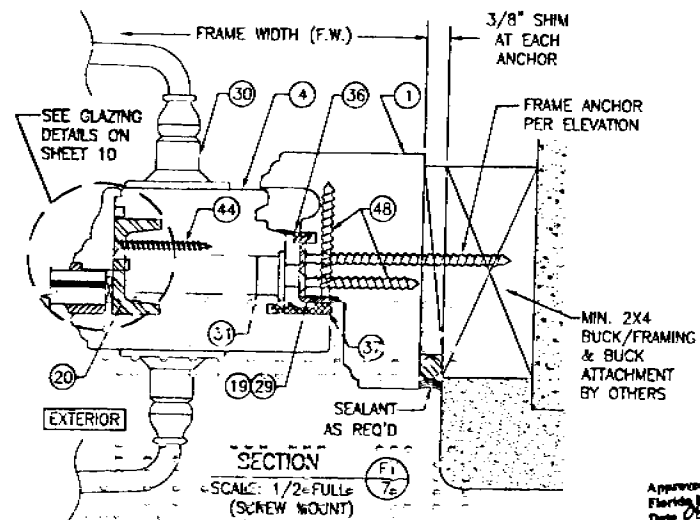
SECTION D3 (BRACKET MOUNT)
SCALE: 1/2 FULL

(SEE SECTION D1/6 FOR DETAILS NOT SHOWN)

BUCK CONDITION SHOWN. METAL STUD OR STRUCTURAL STEEL SUBSTRATES ALSO APPLY IN LIEU OF BUCKS PER FRAME ANCHOR REQUIREMENTS TABLE ON SHEET 1



SECTION E
SCALE: 1/2 FULL

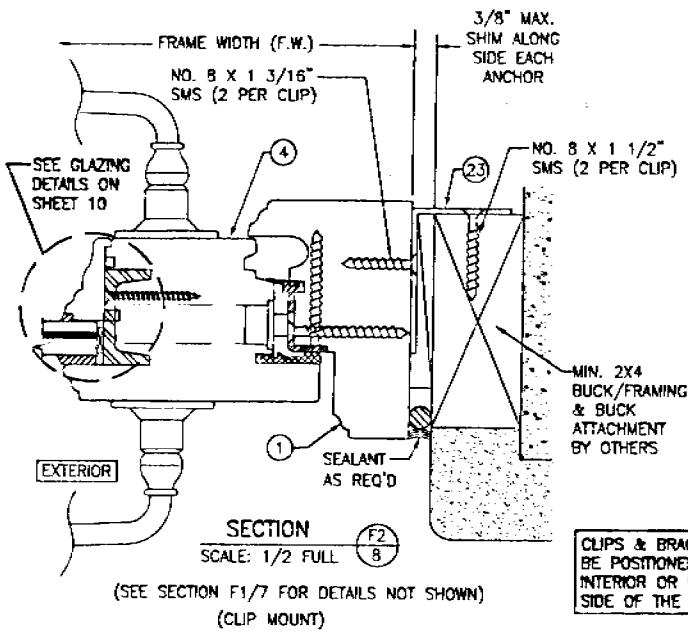


SECTION F1
SCALE: 1/2 FULL (SCREW MOUNT)

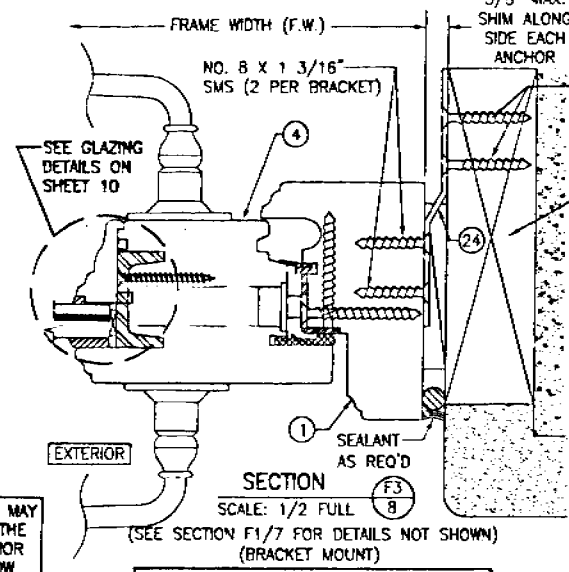
BUCK CONDITION SHOWN. METAL STUD OR STRUCTURAL STEEL SUBSTRATES ALSO APPLY IN LIEU OF BUCKS PER FRAME ANCHOR REQUIREMENTS TABLE ON SHEET 1

Approved as complying with the Florida Building Code
Date: 08/18/05
W. W. Schaefer
Miami Dade Division
W. W. Schaefer

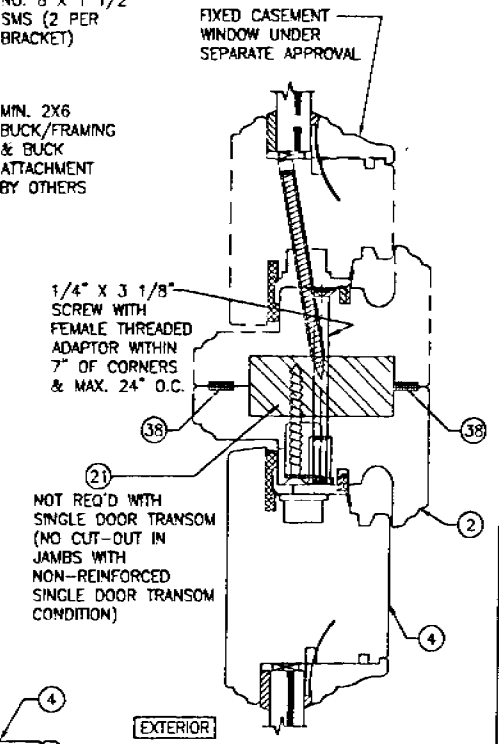
DRWING NO.	DATE	BY	REVISION DESCRIPTION	NO.
1-2	1/21/05			
DRAWING TITLE: AMERICAN OUT-SWING IMPACT WOOD DOORS				
MANUFACTURER: PEETZ WINDOWS & DOORS				
5783 S.W. 40TH STREET, PMB 220				
MIAMI, FL 33155				
305-665-0291				
CONSULTANTS: W. W. SCHAEFER ENGINEERING & CONSULTING, P.A.				
6885 N. MILITARY TRAIL, SUITE C-304				
PALM BEACH GARDENS, FL 33410				
PHONE: 561-775-4802 FAX: 561-775-4803				
CERTIFICATION	JUL 14 2005	W. W. SCHAEFER, P.E.		
DRAWING NO.	1324			
SHEET NO.	7	OF 12		



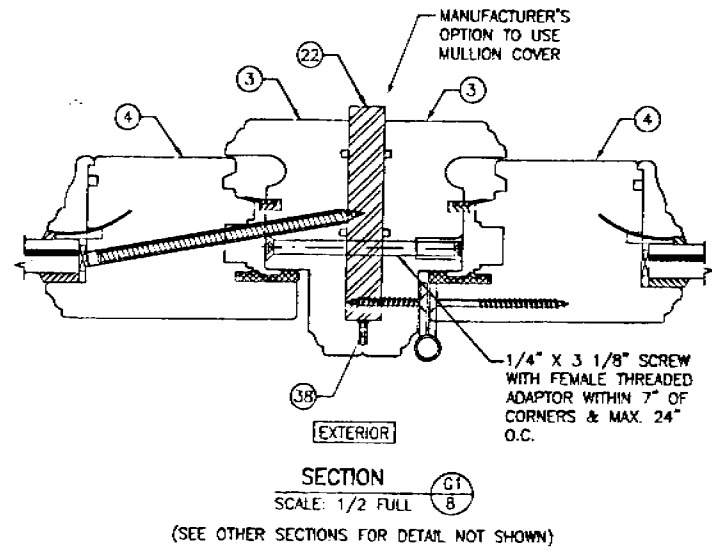
CLIPS & BRACKETS MAY BE POSITIONED AT THE INTERIOR OR EXTERIOR SIDE OF THE WINDOW



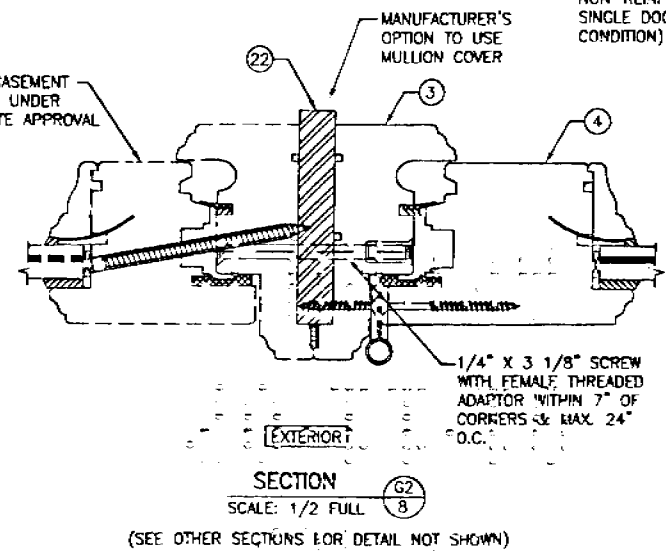
BUCK CONDITION SHOWN. METAL STUD OR STRUCTURAL STEEL SUBSTRATES ALSO APPLY IN LIEU OF BUCKS PER FRAME ANCHOR REQUIREMENTS TABLE ON SHEET 1



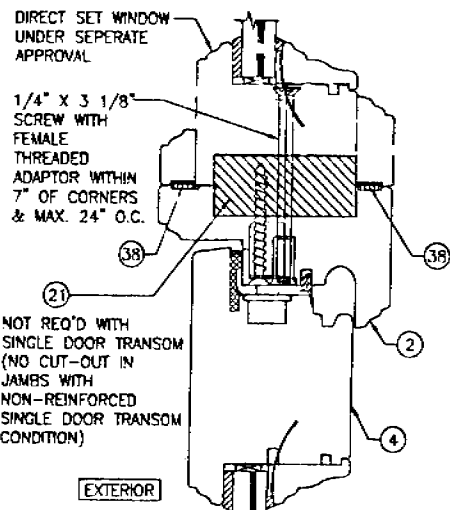
A approved as complying with the Florida Building Code
 Date: 05/18/05
 Name: [Signature]
 Division: [Signature]



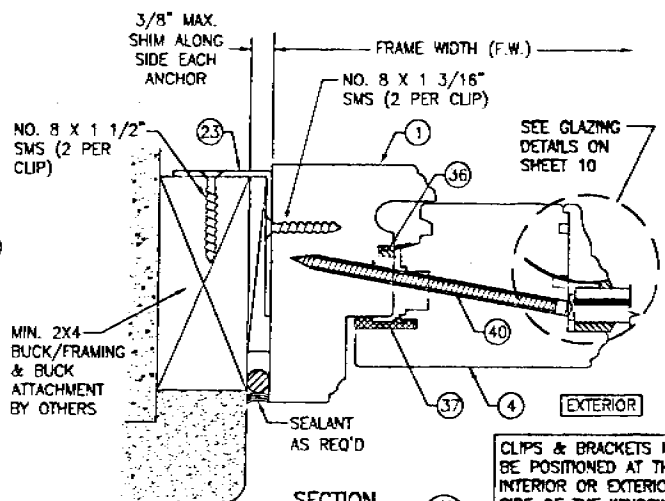
FIXED CASEMENT WINDOW UNDER SEPARATE APPROVAL



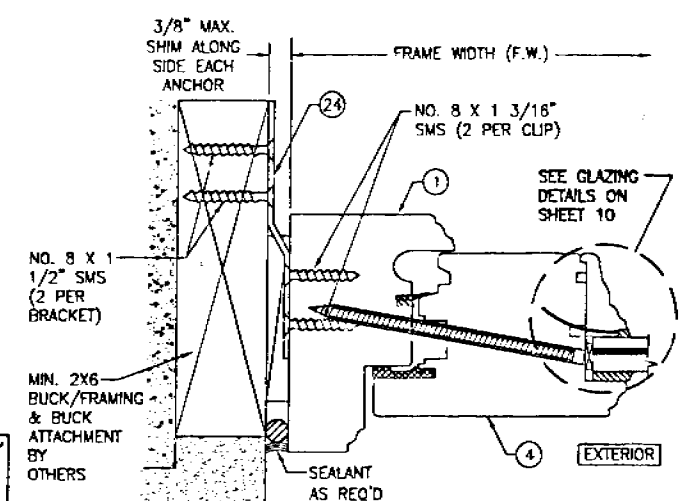
DRAWN BY: SER.	CHECKED BY: R.M.S.
PLT. 1-2	DATE 3/22/05
DATE	
BY	
REVISION DESCRIPTION	
NO.	
AMERICAN OUT-SWING IMPACT WOOD DOORS	
MANUFACTURER	
PEETZ WINDOWS & DOORS	
5783 S.W. 40TH STREET, PMB 220	
MIAMI, FL 33155	
305-665-0291	
CONSULTANT'S	
W. W. SCHAEFER ENGINEERING & CONSULTING, P.A.	
9885 N. MILITARY TRAIL, SUITE 0-204	
PALM BEACH GARDENS, FL 33410	
PHONE: 561-775-4902 FAX: 561-775-4803	
DRAWING TITLE	
AMERICAN OUT-SWING IMPACT WOOD DOORS	
DATE	
JUL 14 2005	
DRAWING NO.	
1324	
SHEET NO.	
8 of 12	



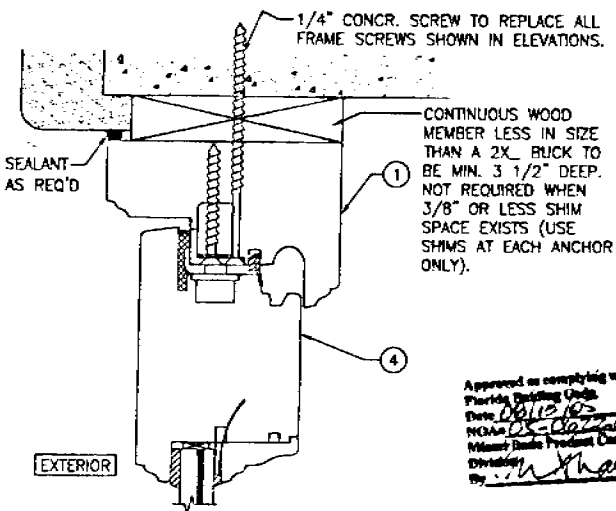
SECTION H2
SCALE: 1/2 FULL
(SEE OTHER SECTION FOR DETAIL NOT SHOWN)



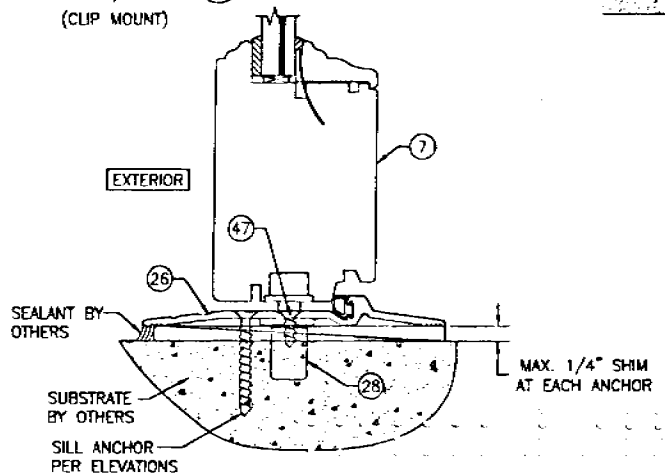
SECTION J1
SCALE: 1/2 FULL
(CLIP MOUNT)



SECTION J2
SCALE: 1/2 FULL
(BRACKET MOUNT)

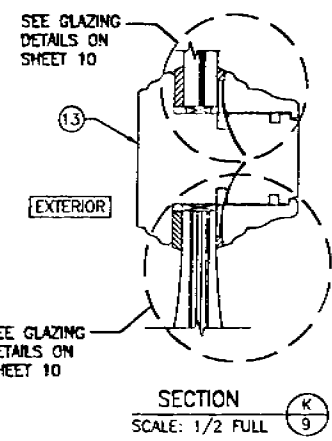


OPTIONAL DIRECT MOUNT DETAIL
TO BLOCK OR CONCRETE WITH SPACER OR SHIM
HEAD SECTION SHOWN, SIDES AND SILL SIMILAR



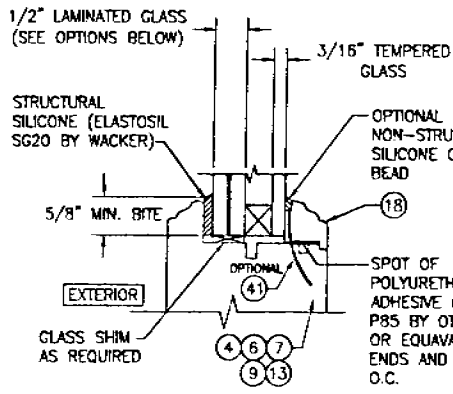
OPTIONAL ADA THRESHOLD DETAIL
NOTE: DOORS WITH ADA SILLS SHALL NOT BE WATER RATED.
(1) POSITIVE PRESSURE NOTE: DOORS ARE APPROVED FOR WATER INFILTRATION RESISTANCE WHEN THE BUMPER THRESHOLD (ITEM 25) IS USED. WHEN THE "ADA" THRESHOLD IS USED, THESE DOORS ARE NOT APPROVED FOR WATER INFILTRATION RESISTANCE UNLESS THE UNITS ARE INSTALLED IN A NON-HABITABLE AREA WHERE THE UNIT AND THE AREA ARE DESIGNED TO ACCEPT WATER INFILTRATION. OTHERWISE, THE DOORS MUST BE INSTALLED ONLY AT LOCATIONS PROTECTED BY A CANOPY OR OVERHANG SUCH THAT THE ANGLE BETWEEN THE EDGE OF THE CANOPY OR OVERHANG TO SILL IS LESS THAN 45 DEGREES.

Approved as complying with the Florida Building Code
Date: 06/12/05
NGAA: [Signature]
Miami-Dade Product Control Division
By: [Signature]



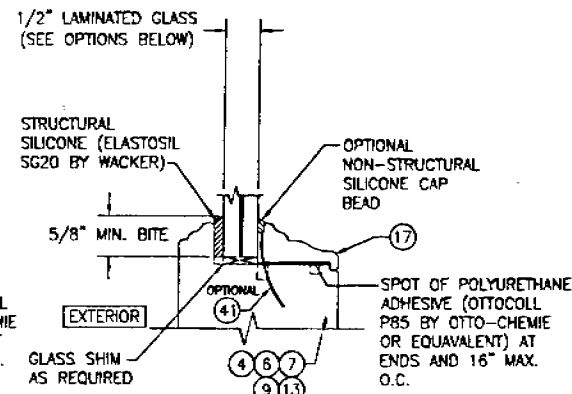
SECTION K
SCALE: 1/2 FULL

DRAWN BY STA	CHECKED BY ENG
REV. 1-4	DATE 1/22/05
DATE	
BY	
REVISION DESCRIPTION	
NO.	
DRAWING TITLE AMERICAN OUT-SWING IMPACT WOOD DOORS	
MANUFACTURER PEETZ WINDOWS & DOORS	
CONSULTANTS W. W. SCHAEFER ENGINEERING & CONSULTING, P.A.	
8885 N. MILITARY TRAIL, SUITE 0-204 PALM BEACH GARDENS, FL 33410 PHONE: 561-775-4802 FAX: 561-775-4903	
DRAWING NO. 1324	
SHEET NO. 9 of 12	
CERTIFICATION JUL 15 2005	
REGISTERED PROFESSIONAL ENGINEER W. W. SCHAEFER, P.E. STATE OF FLORIDA NO. 44133	



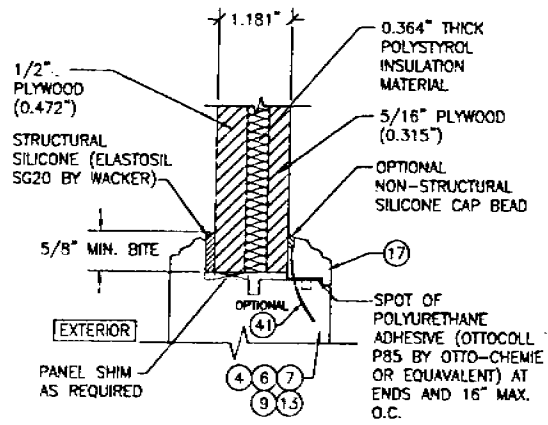
I.G. GLAZING DETAIL

- GLASS OPTION:**
- 1/2" THICK SOLUTIA SAFLEX III LAMINATED OUTER GLASS (3/16" AN/0.09 SAFLEX IIG PVB/1/4" AN); 3/16" TEMPERED SINGLE PANE INNER GLASS & 1/2" AIR SPACE
 - 1/2" THICK SOLUTIA VANCEVA LAMINATED OUTER GLASS (3/16" AN/0.075" VANCEVA/1/4" AN); 3/16" TEMPERED SINGLE PANE INNER GLASS & 1/2" AIR SPACE

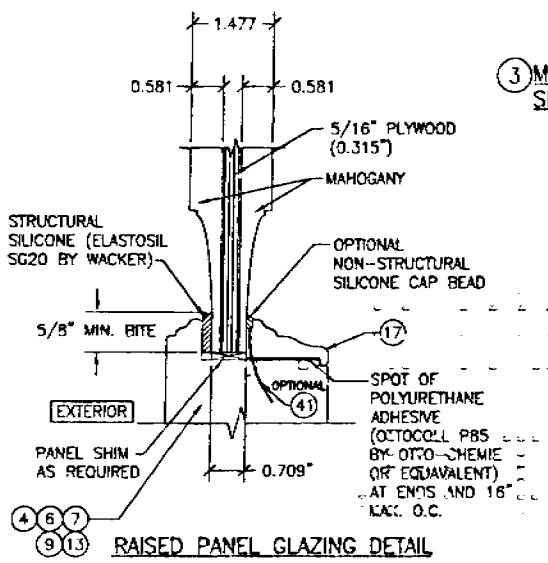


NON-I.G. GLAZING DETAIL

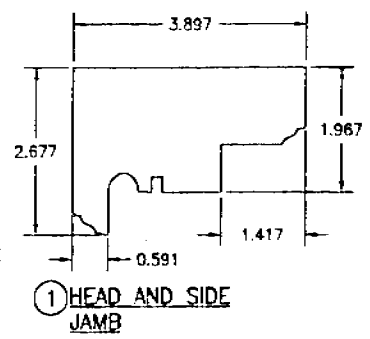
- GLASS OPTION:**
- 1/2" THICK SOLUTIA SAFLEX III LAMINATED GLASS (3/16" AN/0.09 SAFLEX IIG PVB/1/4" AN)
 - 1/2" THICK SOLUTIA VANCEVA LAMINATED GLASS (3/16" AN/0.075" VANCEVA/1/4" AN)



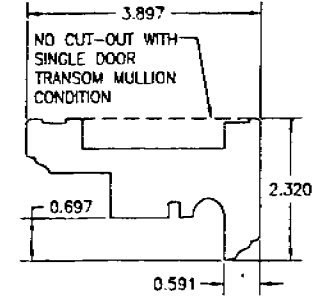
FLUSH PANEL GLAZING DETAIL



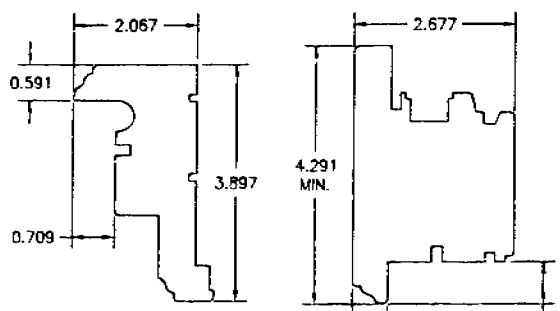
RAISED PANEL GLAZING DETAIL



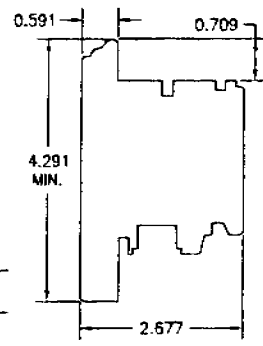
1 HEAD AND SIDE JAMB



2 MULLION HEAD JAMB

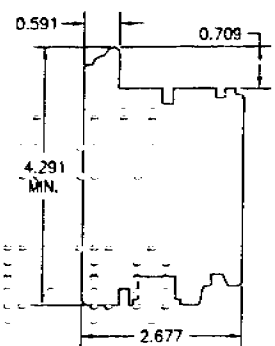


3 MULLION SIDE JAMB



4 STILE AND TOP RAIL

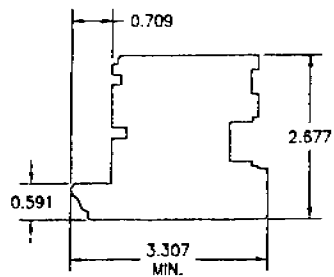
6 BOTTOM RAIL (BUMPER SILL)



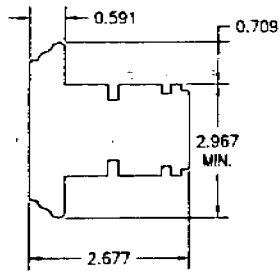
7 BOTTOM RAIL (ADA SILL)

Approved as complying with the Florida Building Code
 Date: 08/11/16
 WMA: [Signature]
 Miami-Dade Product Control
 Division
 [Signature]

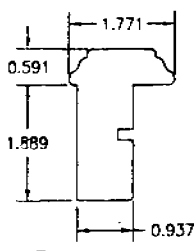
DRAWN BY: S.T.A. CHECKED BY: W.S.S. DATE: 3/22/08	AMERICAN OUT-SWING IMPACT WOOD DOORS MANUFACTURER PEETZ WINDOWS & DOORS 5783 S.W. 40TH STREET, PMB 220 MIAMI, FL 33155 305-665-0291
CONSULTANTS W. W. SCHAEFER ENGINEERING & CONSULTING, P.A. 6685 N. MILITARY TRAIL, SUITE 0-304 PALM BEACH GARDENS, FL 33410 PHONE: 561-775-4902 FAX: 561-775-4903	CERTIFICATION JUL 1 2005 WARRER W. SCHAEFER, P.E. P.E. NO. 44135
DRAWING TITLE: AMERICAN OUT-SWING IMPACT WOOD DOORS	SHEET NO. 10 of 12



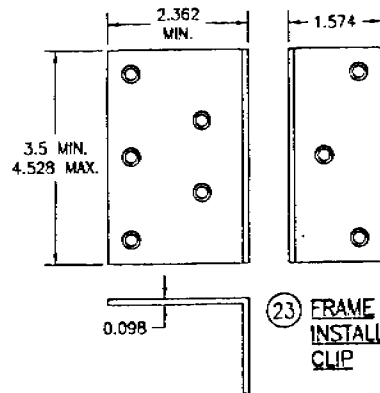
⑨ MEETING STILE



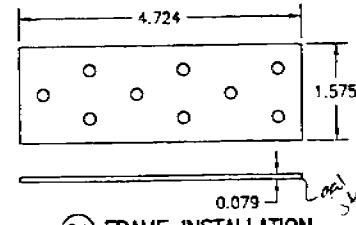
⑬ MID RAIL



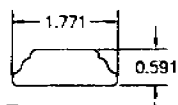
⑮ ASTRAGAL
(INACTIVE LEAF)



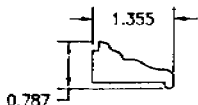
⑲ FRAME
INSTALLATION
CLIP



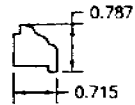
⑳ FRAME INSTALLATION
BRACKET



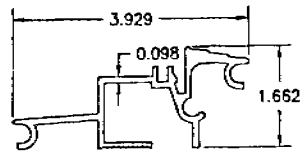
⑯ ASTRAGAL
COVER
(ACTIVE LEAF)



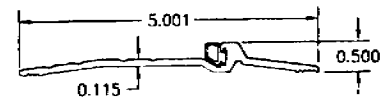
⑰ NON-I.G.
GLAZING BEAD



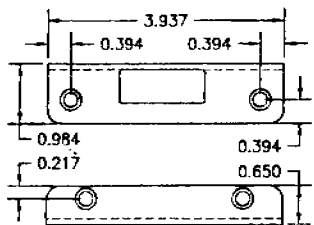
⑱ I.G. GLAZING
BEAD



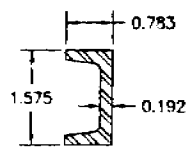
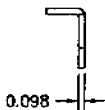
㉕ OUTSWING BUMPER
THRESHOLD



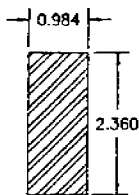
㉖ ADA THRESHOLD



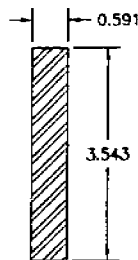
⑲ STRIKE PLATE



⑳ STILE
REINFORCEMENT



㉑ TRANSOM
MULLION
REINFORCEMENT



㉒ VERTICAL
MULLION
REINFORCEMENT

Approved as complying with the
Florida Building Code.
Date: 07/16/05
W. W. Schaefer
National Product Control
Division
By: W. Schaefer

DRAWN BY:		CHECKED BY:	
E.L.R.		E.M.S.	
DATE:		DATE:	
7/16/05		7/27/05	
NO.	REVISION DESCRIPTION	BY	DATE
MANUFACTURER AMERICAN OUT-SWING IMPACT WOOD DOORS PEITZ WINDOWS & DOORS 5783 S.W. 40TH STREET, PMB 220 MIAMI, FL 33155 305-665-0291			
CONSULTANTS W. W. SCHAEFER ENGINEERING & CONSULTING, P.A. 6988 N. MILITARY TRAIL, SUITE 15-204 PALM BEACH GARDENS, FL 33410 PHONE: 561-775-4802 FAX: 561-775-4903			
CERTIFICATION	JUL 16 2005	W. W. SCHAEFER, P.E. 401 44133	
DRAWING NO. 1324		SHEET NO.	
11		12	

ITEM #	ITEM DESCRIPTION	MANUFACTURER/NOTES
PARTS		
1	HEAD AND SIDE JAMB	MAHOGANY
2	MULLION HEAD JAMB	MAHOGANY
3	MULLION SIDE JAMB	MAHOGANY
4	TOP RAIL AND STILE (OUTSWING)	MAHOGANY
6	BOTTOM RAIL (OUTSWING)	MAHOGANY
7	BOTTOM RAIL (OUTSWING)	MAHOGANY
9	MEETING STILE (OUTSWING)	MAHOGANY
13	MID RAIL	MAHOGANY
15	ASTRAGAL (INACTIVE LEAF)	MAHOGANY
16	ASTRAGAL COVER (ACTIVE LEAF)	MAHOGANY
17	NON-I.G. GLAZING BEAD	MAHOGANY
18	I.G. GLAZING BEAD	MAHOGANY
19	0.984 X 3.937 X 0.098 STRIKE PLATE	GU (KfV) S.S.
20	STILE REINFORCEMENT	A36 STEEL (ONLY REQ'D W/DOORS TALLER THAN 96")
21	TRANSOM MULLION REINFORCEMENT	A36 STEEL
22	VERTICAL MULLION REINFORCEMENT	A36 STEEL
23	FRAME INSTALLATION CLIP	GALVANIZED 34.1 KSI STEEL
24	FRAME INSTALLATION BRACKET	GALVANIZED 34.1 KSI STEEL
25	OUTSWING BUMBER THRESHOLD	BRONZE BY PEETZ
26	ADA THRESHOLD	PEMKO BRONZE
27	0.906 X 9.843 X 0.118 TOP STRIKE PLATE	S.S. BY PEETZ
28	0.906 X 9.843 X 0.118 SILL STRIKE PLATE	BRONZE OR S.S. BY PEETZ
29	0.984 X 9.843 X 0.098 LATCH/DEADBOLT STRIKE PLATE	S.S. BY GU (KfV)
HARDWARE		
30	LOCK HANDLE	AS REQUIRED TO OPERATE LOCKS
31	MULTI-POINT LOCK SYSTEM	KfV OR HOPPE 5-POINT LOCK AT DOUBLE DOOR ACTIVE PANEL KfV OR HOPPE 2-POINT LOCK AT DOUBLE DOOR INACTIVE PANEL KfV OR HOPPE 4-POINT LOCK AT SINGLE ACTIVE DOOR (3-POINT WITH DOORS LESS THAN 10' TALL)
32	HINGE	BRASS 2 1/4" X 5 1/2"
SEALS AND SEALANTS		
36	SWEEP	GTG EOPM
37	COMPRESSION SEAL	SCHLEGEL
38	3/8" X 3/16" PRECOM PRESSED TAPE	N/A
39	COMPRESSION SEAL	SCHLEGEL

NOTE: MAHOGANY USED IN TESTING WAS MERANTI MAHOGANY. OTHER WOOD SPECIES APPLICABLE FOR USE WITH THIS PRODUCT ARE MERBAU, DOUSSIE, SIPO, SAPELLI, HONDURAS MAHOGANY OR OAK. ALL WOOD IS MINIMUM GRADE 2 MILLED BY PEETZ TO SELECT.

ITEM #	ITEM DESCRIPTION	MANUFACTURER/NOTES
FASTENERS		
40	.295" X 4 7/16" AMO III GALVANIZED STEEL SCREWS	5 1/2" FROM INTERIOR CORNERS & 14" O.C. AT HEAD AND JAMBS
41	OPTIONAL 18 GA. X 1 1/4" GALVANIZED CURVED NAIL	10" FROM CORNERS & 20" O.C. (NOT APPLICABLE WHEN PART 18 IS USED W/ SASH)
42	3/16" X 2 3/4" SCREW	4 PER HINGE (Ø PANEL)
43	3/16" X 1 3/16" SCREW	4 PER HINGE (Ø JAMB)
44	3/16" X 1 3/4" SCREW	5 1/2" FROM INT. CORNER & 14" MAX. O.C.
45	3/16" X 2 3/4" ASTRAGAL SCREW	5 1/2" FROM ENDS & 14" MAX. O.C.
46	#10 X 2" S.S. S.M.S.	5 PER HEAD STRIKE PLATE #27
47	#10 X 5/8" S.S. S.M.S.	4 PER SILL STRIKE PLATE #28
48	#8 X 2" S.S. S.M.S.	Ø FRAME: 4 PER STRIKE PLATE #19 7 PER STRIKE PLATE #29 Ø ASTRAGAL: 2 PER STRIKE PLATE #19 3 PER STRIKE PLATE #29
49	#8 X 3/4" S.S. S.M.S.	Ø ASTRAGAL: 2 PER STRIKE PLATE #19 4 PER STRIKE PLATE #29
50	.295" X 4 7/16" AMO III GALVANIZED STEEL SCREWS	5 1/2" FROM INTERIOR CORNERS & 14" O.C. AT SILL

Approved as complying with the Florida Building Code
Date July 14, 2005
By W. W. Schaefer
W. W. Schaefer, P.E.
Miami-Dade Professional Control

DRAWN BY: E.T.R.	CHECKED BY: W.B.S.
DATE: 3/22/05	DATE:
NO.	REVISION DESCRIPTION
BY:	DATE:
DRAWING TITLE: AMERICAN OUT-SWING IMPACT WOOD DOORS	
MANUFACTURER: PEETZ WINDOWS & DOORS 5783 S.W. 40TH STREET, PMB 220 MIAMI, FL 33155 305-665-0291	
CONSULTANTS: W. W. SCHAEFER ENGINEERING & CONSULTING, P.A. 8885 N. MIAMI TRAIL, SUITE C-204 PALM BEACH GARDENS, FL 33410 PHONE: 561-775-4802 FAX: 561-775-4803	
CERTIFICATION: JUL 14 2005 W. W. SCHAEFER, P.E. NO. 24,733	
DRAWING NO. 1324 SHEET NO. 12 OF 12	



BUILDING CODE COMPLIANCE OFFICE (BCCO)
PRODUCT CONTROL DIVISION

MIAMI-DADE COUNTY, FLORIDA
METRO-DADE FLAGLER BUILDING

140 WEST FLAGLER STREET, SUITE 1603
MIAMI, FLORIDA 33130-1563
(305) 375-2901 FAX (305) 375-2908

www.buildingcodeonline.com

NOTICE OF ACCEPTANCE (NOA)

Peetz Windows and Doors, Inc.
5783 SW 40th Street PMB 220
Miami, FL 33155

BD-7013600

SCOPE:

This NOA is being issued under the applicable rules and regulations governing the use of construction materials. The documentation submitted has been reviewed by Miami-Dade County Product Control Division and accepted by the Board of Rules and Appeals (BORA) to be used in Miami Dade County and other areas where allowed by the Authority Having Jurisdiction (AHJ).

This NOA shall not be valid after the expiration date stated below. The Miami-Dade County Product Control Division (In Miami Dade County) and/or the AHJ (in areas other than Miami Dade County) reserve the right to have this product or material tested for quality assurance purposes. If this product or material fails to perform in the accepted manner, the manufacturer will incur the expense of such testing and the AHJ may immediately revoke, modify, or suspend the use of such product or material within their jurisdiction. BORA reserves the right to revoke this acceptance, if it is determined by Miami-Dade County Product Control Division that this product or material fails to meet the requirements of the applicable building code.

This product is approved as described herein, and has been designed to comply with the Florida Building Code, including the High Velocity Hurricane Zone.

DESCRIPTION: American & European Direct Glazed Wood Fixed Windows - LMI

APPROVAL DOCUMENT: Drawing No. 1323, titled "American & European Direct Glazed Impact Wood Window", sheets 1 through 5 of 5, dated 03/11/05, prepared by W.W. Schaeffer Engineering & Consulting, P.A., signed and sealed by Warren W. Schaeffer, P.E., using the Miami-Dade County Product Control Approval stamp with the Notice of Acceptance number and approval date by the Miami-Dade County Product Control Division.

MISSILE IMPACT RATING: Large and Small Missile Impact

LABELING: Each unit shall bear a permanent label with the manufacturer's name or logo, city, state and following statement: "Miami-Dade County Product Control Approved" unless otherwise noted herein.

RENEWAL of this NOA shall be considered after a renewal application has been filed and there has been no change in the applicable building code negatively affecting the performance of this product.

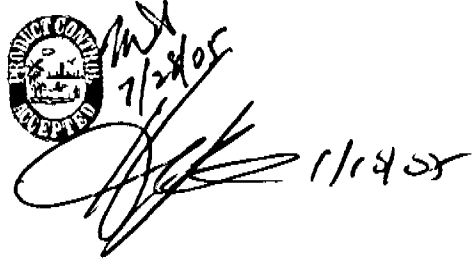
TERMINATION of this NOA will occur after the expiration date or if there has been a revision or change in the materials, use, and/or manufacture of the product or process. Misuse of this NOA as an endorsement of any product, for sales, advertising or any other purposes shall automatically terminate this NOA. Failure to comply with any section of this NOA shall be cause for termination and removal of NOA.

ADVERTISEMENT: The NOA number preceded by the words Miami-Dade County, Florida, and followed by the expiration date may be displayed in advertising literature. If any portion of the NOA is displayed, then it shall be done in its entirety.

INSPECTION: A copy of this entire NOA shall be provided to the user by the manufacturer or its distributors and shall be available for inspection at the job site at the request of the Building Official.

This NOA consists of this page 1 and evidence pages E-1 and E-2, as well as approval document mentioned above.

The submitted documentation was reviewed by **Herminio F. Gonzalez, P.E., Director, BCCO**


7/28/05
11/18/05

NOA No 05-0622.01
Expiration Date: August 18, 2010
Approval Date: August 18, 2005
Page 1

Peetz Windows and Doors, Inc.

NOTICE OF ACCEPTANCE: EVIDENCE SUBMITTED

A. DRAWINGS

1. Manufacturer's die drawings and sections.
2. Drawing No. 1323 titled "American & European Direct Glazed Impact Wood Windows", sheets 1 through 5 of 5, dated 03/11/05, prepared by W.W. Schaeffer Engineering & Consulting, P.A, signed and sealed by Warren W. Schaefer, P.E.

B. TESTS

1. Test reports on 1) Air Infiltration Test, per FBC, TAS 202-94
2) Uniform Static Air Pressure Test, Loading per FBC, TAS 202-94.
3) Water Resistance Test, per FBC, TAS 202-94.
4) Large Missile Impact Test per FBC, TAS 201-94
5) Cyclic Wind Pressure Loading per FBC, TAS 203-94
along with the manufacturer's parts drawings, installation diagram and marked-up drawings of a direct glazed wood fixed window, prepared by Hurricane Test Laboratory, Inc. Test Report No. HTL-0284-0113-05, dated 06/03/05, signed and sealed by Vinu J. Abraham, P.E.
2. Test reports on 1) Large Missile Impact Test per FBC, TAS 201-94
2) Cyclic Wind Pressure Loading per FBC, TAS 203-94
along with the manufacturer's parts drawings, installation diagram and marked-up drawings of a direct glazed wood fixed window, prepared by Hurricane Test Laboratory, Inc. Test Report No. HTL-0284-0515-05, dated 06/03/05, signed and sealed by Vinu J. Abraham, P.E.

C. CALCULATIONS

1. Anchor calculations and structural analysis, dated 04/07/05, prepared by W.W. Schaeffer Engineering & Consulting, P.A., signed and sealed by Warren Schaefer, P.E.

D. QUALITY ASSURANCE

1. Miami Dade Building Code Compliance Office (BCCO).

E. MATERIAL CERTIFICATIONS

1. Notice of Acceptance No. 01-0205.02 issued to Solutia Inc. for their "Saflex /Keepsafe Maximum" dated 05/17/01, expiring on 05/21/06.
2. Notice of Acceptance No. 03-0415.13 issued to Solutia Inc. for their "Vanceva Composites" dated 12/11/03, expiring on 12/11/08.

for M. Gonzalez

Herminio F. Gonzalez, P.E.
Director, Building Code Compliance Office

NOA No 05-0622.01

Expiration Date: August 18, 2010

Approval Date: August 18, 2005

Peetz Windows and Doors, Inc.


NOTICE OF ACCEPTANCE: EVIDENCE SUBMITTED

F. STATEMENTS

1. Statement letter of conformance and no financial interest, dated June 10, 2005, signed and sealed by Warren Schaeffer, P.E.

G. OTHER

1. Letter from consultant stating that the product is in compliance with the Florida Building Code (FBC).

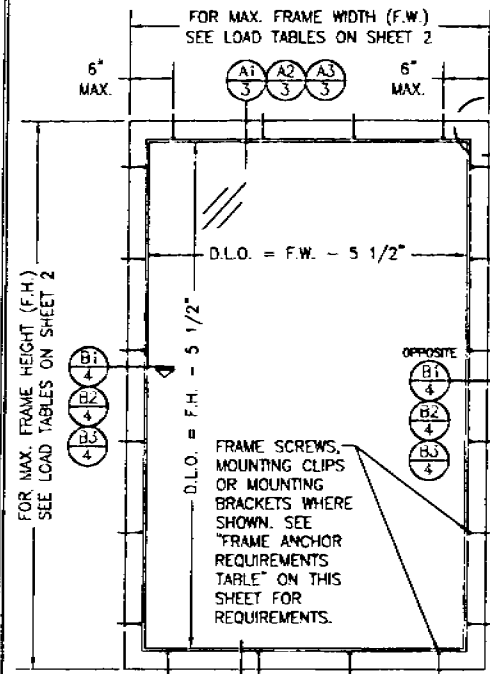
for 

Herminio F. Gonzalez, P.E.
Director, Building Code Compliance Office

NOA No 05-0622.01

Expiration Date: August 18, 2010

Approval Date: August 18, 2005



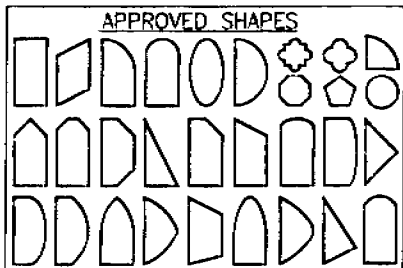
**EXTERIOR ELEVATION
SINGLE DIRECT GLAZED WINDOW**
SCALE: N.T.S.

LONG DIMENSION OF WINDOW MAY BE HORIZONTAL OR VERTICAL (HEIGHT & WIDTH MAY BE INTERCHANGED).

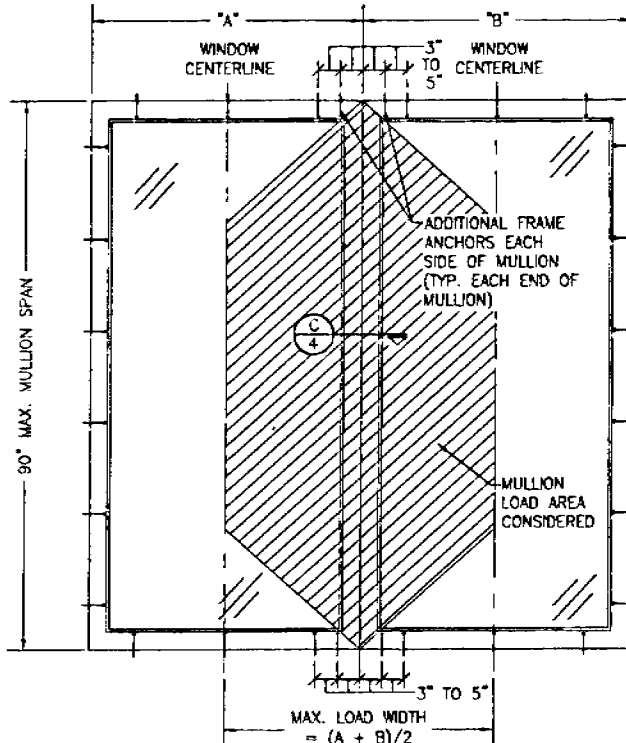
RECTANGULAR WINDOWS SHOWN. ANCHORING OF SHAPED WINDOWS IS THE SAME WITH REQUIRED ANCHOR SPACING ALONG THE FRAME CIRCUMFERENCE BEING THE SAME AS SPECIFIED FOR A STRAIGHT FRAME.

12" MAX. O.C. FOR FRAME SCREWS;
16" MAX. O.C. FOR BRACKETS & CLIPS (TYP. ALL SIDES)

NOTE: IF WINDOW FRAME SHORT DIMENSION IS 42" OR LESS, SPACING MAY BE 16" O.C. FOR ALL ANCHORS.



NOTES:
1. OTHER SHAPES MAY APPLY PROVIDED THEY ARE SIMILAR TO THOSE SHOWN & HAVE CORNER CONSTRUCTION AS DESCRIBED ON THIS SHEET.
2. ALL SHAPED UNITS MUST FIT INSCRIBED INTO THE ALLOWABLE RECTANGULAR UNITS & BE GOVERNED BY THE ALLOWABLE PRESSURE OF THE RESPECTIVE RECTANGULAR UNIT.



FIXED WINDOW TO FIXED WINDOW WHEN WINDOW WIDTHS ARE LESS THAN OR EQUAL TO THE MULLION LENGTH
(SEE MULLION LOAD TABLE)

(MAX. FOUR UNITS MAY BE COMBINED IN ONE OPENING)
SCALE: N.T.S.

SEE SINGLE WINDOW ELEVATION FOR WINDOW DETAIL NOT SHOWN

MULTIPLE UNIT NOTES:

1. ALL WINDOWS ARE RESTRICTED BY THE DIMENSIONS SPECIFIED.
2. THE MAXIMUM ALLOWABLE PRESSURE FOR A COMBINED UNIT IS RESTRICTED BY THE LESSER OF THE INDIVIDUAL WINDOW ALLOWABLE PRESSURE OR THE ALLOWABLE MULLION PRESSURE. SEE LOAD TABLES ON SHEET 2.
3. WINDOWS MAY BE STACKED HORIZONTAL OR VERTICAL (IF VERTICALLY STACKED, MANUFACTURER MUST INSURE THAT THE DEAD WEIGHT OF THE WINDOWS DOES NOT CAUSE ANY WINDOW FAILURES OR DEFORMATIONS)

ALLOWABLE DESIGN PRESSURE
SEE LOAD TABLES ON SHEET 2

Approved as complying with the Florida Building Code
Date: 06/14/05
Name: AS-CALCOR
Please Refer Product Catalog
Drawn By: M. Shatt

GENERAL NOTES

1. THESE WINDOW SYSTEMS HAVE BEEN TESTED, ANALYZED AND APPROVED FOR DESIGN PRESSURES NOT TO EXCEED THOSE SHOWN IN THE "ALLOWABLE DESIGN LOADS" TABLE(S).
2. BUICKING, OPENINGS & BUICKING FASTENERS MUST BE PROPERLY DESIGNED & INSTALLED TO TRANSFER WIND LOADS TO THE STRUCTURE.
3. ALL HARDWARE & FASTENERS SHALL BE IN ACCORDANCE WITH THESE DRAWINGS & MAY NOT VARY UNLESS SPECIFICALLY MENTIONED ON THE DRAWINGS.
4. THE DETAILS & SPECIFICATIONS SHOWN HEREIN REPRESENT THE PRODUCTS TESTED & PROPOSED FOR WATER, AIR, IMPACT, CYCLIC & UNIFORM STATIC AIR PRESSURE TESTING IN CONFORMANCE WITH THE 2004 FLORIDA BUILDING CODE PROTOCOLS TAS-201, 202 & 203 FOR LARGE MISSILE IMPACT WINDOWS.
5. THESE WINDOW SYSTEMS HAVE BEEN DESIGNED IN ACCORDANCE WITH THE 2004 FLORIDA BUILDING CODE (FBC) INCLUDING HIGH VELOCITY HURRICANE ZONES (HMZ).
6. IMPACT SHUTTERS ARE NOT REQUIRED WITH THESE WINDOWS.
7. ALL ANCHORS SHALL BE INSTALLED AS SPECIFIED ON THESE DRAWINGS. SPECIFIED EMBEDMENT TO BASE MATERIAL SHALL BE BEYOND WALL FINISH OR STUCCO.
8. ALL FRAME ANCHORS SECURING WINDOW FRAME TO PRESSURE TREATED BUICKS OR WOOD FRAMING SHALL BE CAPABLE OF RESISTING CORROSION CAUSED BY THE PRESSURE TREATING CHEMICALS IN THE WOOD.

CORNER CONSTRUCTION

JAMBS: MULTI-FORKED, JOINED AND GLUED WITH BINDAN D4 WOOD GLUE OR EQUIVALENT

FRAME ANCHOR REQUIREMENTS TABLE			
SHEAR SCREWS			
OPENING TYPE (SUBSTRATE)	JAMB TO OPENING FASTENER TYPE	MINIMUM EMBED	MINIMUM EDGE DIST.
2X WOOD FRAME OR BUICK	NO. 14 SHS SCREW	1 3/4"	3/4"
CMU/CONCRETE	1 1/4" CONCRETE SCREW	1 1/4"	2"
MIN. 18 GA. 33 KSI METAL STUD OR 36 KSI STRUCTURAL STEEL	NO. 14 SELF TAPPING SCREWS	FULL	1/2"
MOUNTING CLIP SCREWS			
2X WOOD FRAME OR BUICK	NO. 8 X 1 1/2" SMS SCREWS	1 3/8"	1/2"
MIN. 1/8" THICK 36 KSI STEEL	NO. 8 SELF TAPPING SCREWS	FULL	1/2"
MOUNTING BRACKET SCREWS			
2X WOOD FRAME OR BUICK	NO. 8 X 1 1/2" SMS SCREWS	1 3/8"	1/2"
MIN. 18 GA. 33 KSI METAL STUD OR 36 KSI STRUCTURAL STEEL	NO. 8 SELF TAPPING SCREWS	FULL	1/2"

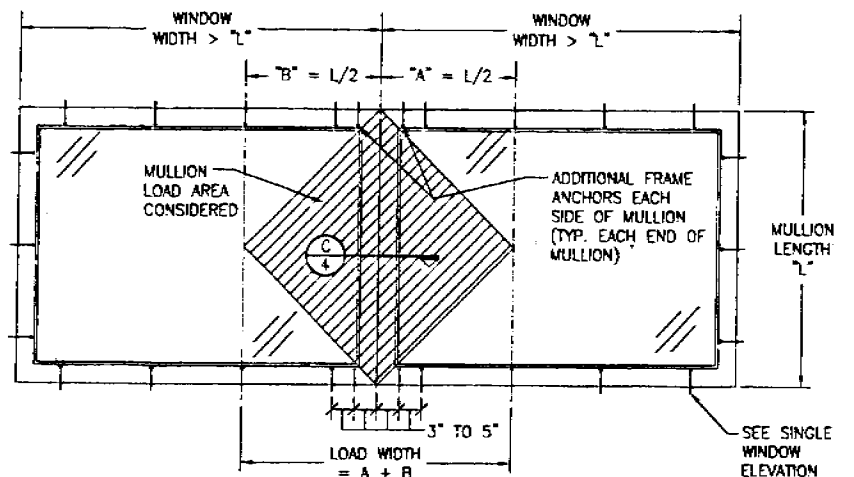
(1) CONCRETE SCREWS SHALL BE ELCO OR ITW RAMSEY/RED HEAD TAPCONS OR HILTI KWIK-CON II (HARDENED STEEL OR S.S.)

DRAWN BY: S.E.B.	CHECKED BY: R.M.S.
DATE: 6/18	DATE: 7/14/05
REVISION DESCRIPTION	
NO.	
AMERICAN & EUROPEAN DIRECT GLAZED IMPACT WOOD WINDOWS	
MANUFACTURER: PFEITZ WINDOWS & DOORS 5783 S.W. 40TH STREET, PMB 220 MIAMI, FL 33155 305-665-0291	
CONSULTANT: W. W. SCHAEFER ENGINEERING & CONSULTING, P.A. 5815 N. WILLOW ROAD, SUITE C-204 MIAMI, FL 33155 PHONE: 305-775-1802 FAX: 305-775-1803	
CERTIFICATION	
JUL 14 2005	
DESIGNED BY: [Signature]	
DRAWING NO.: 1323	
SHEET NO.: 1 of 5	

ALLOWABLE SINGLE WINDOW DESIGN PRESSURE

MAXIMUM FRAME LONG DIMENSION (IN.)	MAXIMUM SHORT LONG DIMENSION (IN.)	ALLOWABLE PRESSURE (POS. & NEG. PSF)							
		WITH I.G. GLAZING				WITH NON-I.G. GLAZING			
		OPTION 1	OPTION 2	OPTION 3 & 4	OPTION 1	OPTION 2	OPTION 3	OPTION 4	
144	50	65.1	75.0		59.1	75.0			
	48	89.6	75.0		63.1	75.0			
	42	75.0	75.0		75.0	75.0			
	38	75.0	75.0		75.0	75.0			
	30	75.0	75.0		75.0	75.0		75.0	
132	54	61.7	75.0		56.0	75.0			
	48	72.4	75.0		65.7	75.0			
	42	75.0	75.0		75.0	75.0			
	36	75.0	75.0		75.0	75.0			
	30	75.0	75.0		75.0	75.0		75.0	
120	24	75.0	75.0	75.0	75.0	75.0	75.0	75.0	
	80	58.5	75.0		53.1	75.0			
	54	65.8	75.0		59.7	75.0			
	48	75.0	75.0		69.6	75.0			
	42	75.0	75.0		75.0	75.0			
108	36	75.0	75.0		75.0	75.0		75.0	
	30	75.0	75.0	75.0	75.0	75.0	75.0	75.0	
	80	65.9	75.0		59.8	75.0			
	54	73.1	75.0		66.4	75.0			
	48	75.0	75.0		75.0	75.0			
96	42	75.0	75.0		75.0	75.0		75.0	
	36	75.0	75.0		75.0	75.0		75.0	
	30	75.0	75.0	75.0	75.0	75.0	75.0	75.0	
	80	74.8	75.0		67.7	75.0			
	54	75.0	75.0		74.1	75.0			
90	48	75.0	75.0		75.0	75.0		75.0	
	42	75.0	75.0		75.0	75.0		75.0	
	36	75.0	75.0	75.0	75.0	75.0	75.0	75.0	
	60	75.0	75.0		72.1	75.0			
	54	75.0	75.0		75.0	75.0			
84	48	75.0	75.0		75.0	75.0		75.0	
	42	75.0	75.0		75.0	75.0		75.0	
	40	75.0	75.0	75.0	75.0	75.0	75.0	75.0	
	60	75.0	75.0		75.0	75.0			
	54	75.0	75.0		75.0	75.0			
78	48	75.0	75.0		75.0	75.0		75.0	
	42	75.0	75.0		75.0	75.0		75.0	
	40	75.0	75.0	75.0	75.0	75.0	75.0	75.0	
	60	75.0	75.0		75.0	75.0			
	54	75.0	75.0		75.0	75.0			
72	48	75.0	75.0		75.0	75.0		75.0	
	42	75.0	75.0		75.0	75.0		75.0	
	40	75.0	75.0	75.0	75.0	75.0	75.0	75.0	
	60	75.0	75.0		75.0	75.0			
	54	75.0	75.0		75.0	75.0			
66	48	75.0	75.0		75.0	75.0		75.0	
	42	75.0	75.0		75.0	75.0		75.0	
	40	75.0	75.0	75.0	75.0	75.0	75.0	75.0	
	60	75.0	75.0		75.0	75.0			
	54	75.0	75.0		75.0	75.0			
60	48	75.0	75.0		75.0	75.0		75.0	
	42	75.0	75.0		75.0	75.0		75.0	
	40	75.0	75.0	75.0	75.0	75.0	75.0	75.0	
	60	75.0	75.0		75.0	75.0			
	54	75.0	75.0		75.0	75.0			

NOTES:
 1. SEE GLAZING DETAILS FOR GLAZING OPTIONS
 2. CROSSED OUT BOXES DESIGNATE SIZES NOT ACCEPTABLE FOR THE RESPECTIVE GLASS OPTION.



FIXED WINDOW TO FIXED WINDOW WHEN WINDOW WIDTHS ARE GREATER THAN THE MULLION LENGTH (SEE MULLION LOAD TABLE)
 (MULTIPLE UNIT NOTES ON SHEET 1 SHALL APPLY)
 SEE SINGLE WINDOW ELEVATION FOR WINDOW DETAIL NOT SHOWN

MULLION ALLOWABLE LOAD TABLE

MAXIMUM MULLION SPAN (IN.)	MAXIMUM LOAD WIDTH (IN.)	ALLOWABLE PRESSURE (POS. & NEG. PSF)
90	60	31.2
	54	33.3
	48	36.4
	42	40.4
	36	45.9
84	30	54.1
	24	66.6
	18	75.0
	60	39.5
	54	42.0
78	48	45.5
	42	50.4
	36	57.1
	30	67.0
	24	75.0
72	60	51.1
	54	54.1
	48	58.1
	42	64.0
	36	72.3
66	30	75.0
	80	68.2
	54	71.3
	48	75.0
	40	75.0

LESSER OF THE PRESSURE SHOWN IN THIS TABLE & THAT ALLOWED FOR THE INDIVIDUAL WINDOW SHALL CONTROL AS ALLOWABLE FOR THE OVERALL UNIT.

Approved as complying with the Florida Building Code
 Date 08/10/05
 W. W. SCHAEFER ENGINEERING & CONSULTING, P.A.
 Miami-Dade Product Control Division
 By: *W. Schaefer*

DRAWN BY: S.J.E.	CHECKED BY: W.S.S.
PLT: 1-18	DATE: 4/11/88
DATE:	
BY:	
NO. REVISION DESCRIPTION	
DRAWING TITLE: AMERICAN & EUROPEAN DIRECT GLAZED IMPACT WOOD WINDOWS	
CONSULTANTS:	MANUFACTURER:
W. W. SCHAEFER ENGINEERING & CONSULTING, P.A.	PELTZ WINDOWS & DOORS
8885 PALM BEACH GARDENS, SUITE 5-204	5783 S.W. 40TH STREET, PMB 220
MIAMI, FL 33155	MIAMI, FL 33155
PHONE: 381-715-1802 FAX: 381-715-1803	305-685-0291
CERTIFICATION:	
JUL 1 1985	
W. W. SCHAEFER P.E.	
NO. 44-33	
1323	
2	5

DESIGNED BY:	DATE:
CHECKED BY:	DATE:
NO.:	NO.:
REVISION DESCRIPTION:	BY:
	DATE:

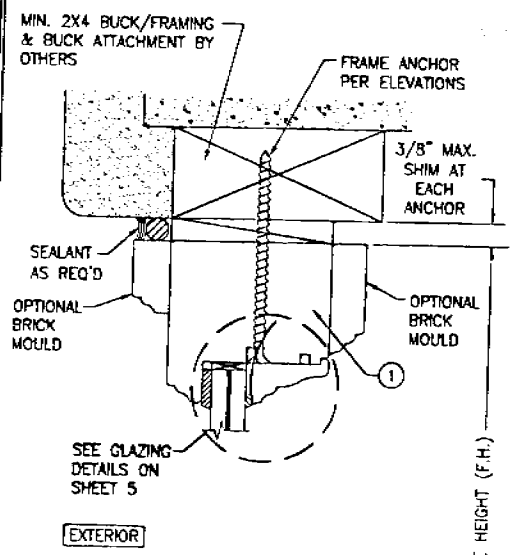
AMERICAN & EUROPEAN DIRECT GLAZED IMPACT WOOD WINDOWS MANUFACTURER

FETZ WINDOWS & DOORS
5783 S.W. 40TH STREET, PMB 220
MIAMI, FL 33155
305-665-0291

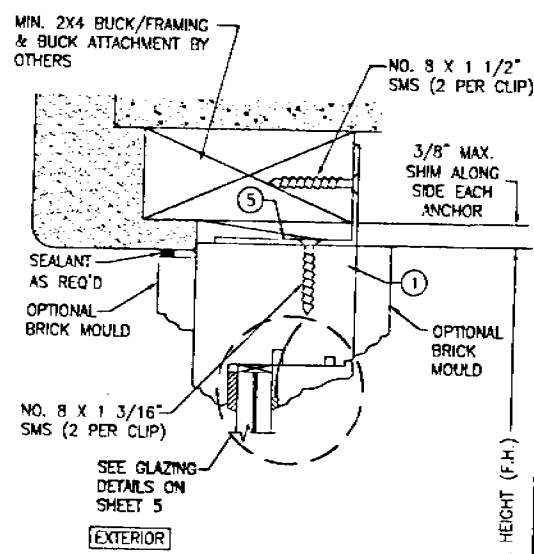
CONSULTANTS
W. W. SCHAEFER ENGINEERING & CONSULTING, P.A.
5895 N. MILITARY TRAIL, SUITE 2-504
PALM BEACH GARDENS, FL 33410
PHONE 561-775-4802 FAX 561-775-4803

CERTIFICATION
JUL 15 2005
W. W. SCHAEFER, P.E.
NO. 4433

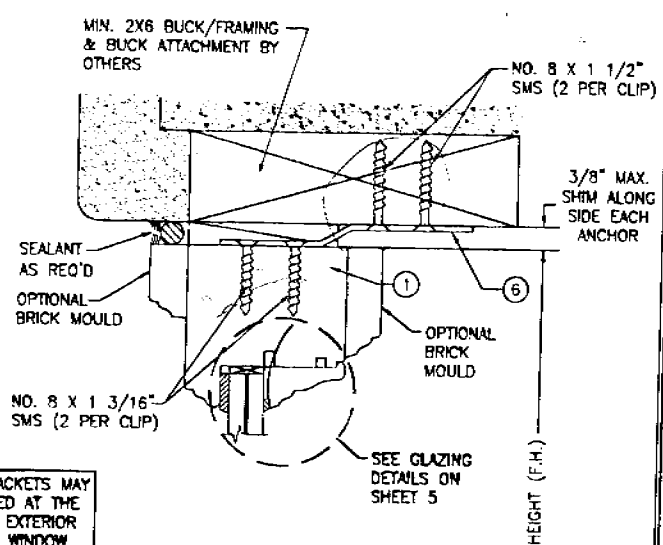
1323
SHEET NO.
3 9 5



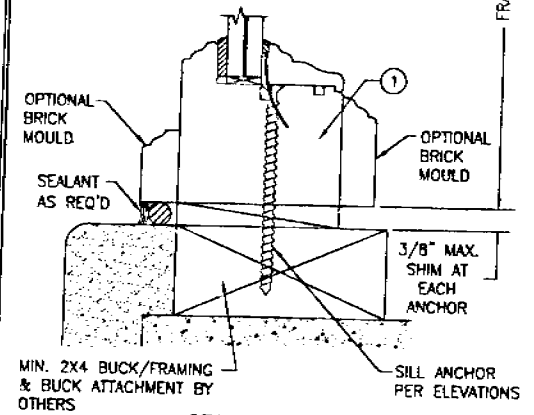
EXTERIOR



EXTERIOR

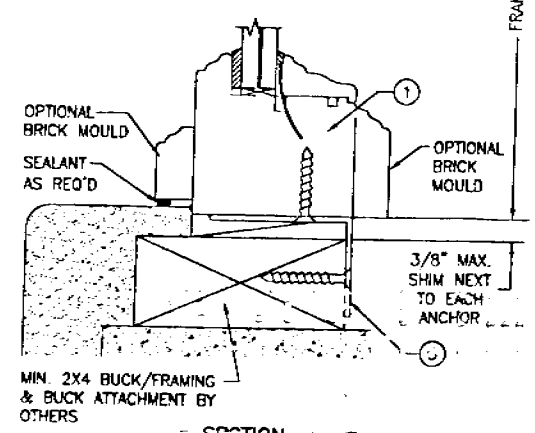


CLIPS & BRACKETS MAY BE POSITIONED AT THE INTERIOR OR EXTERIOR SIDE OF THE WINDOW

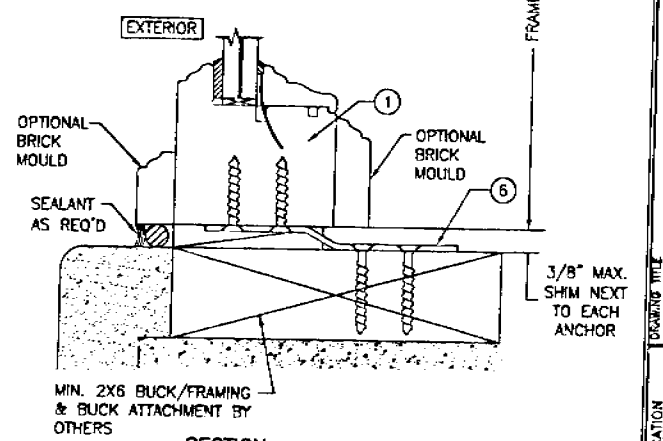


SECTION A1-3
SCALE: 1/2 FULL (SCREW MOUNT)

BUCK CONDITION SHOWN. METAL STUD OR STRUCTURAL STEEL SUBSTRATES ALSO APPLY IN LIEU OF BUCKS PER FRAME ANCHOR REQUIREMENTS TABLE ON SHEET 1



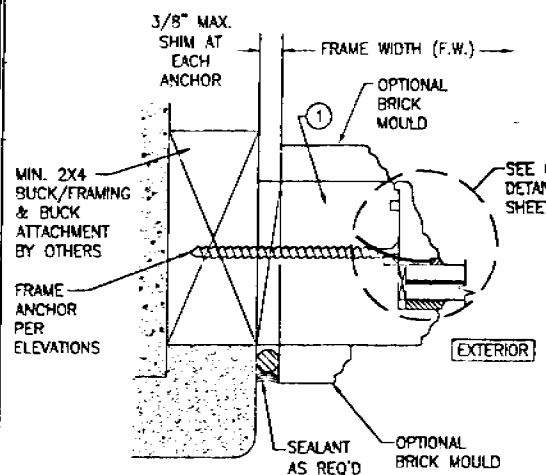
SECTION A2-3
SCALE: 1/2 FULL (CLIP MOUNT)



SECTION A3-3
SCALE: 1/2 FULL (BRACKET MOUNT)

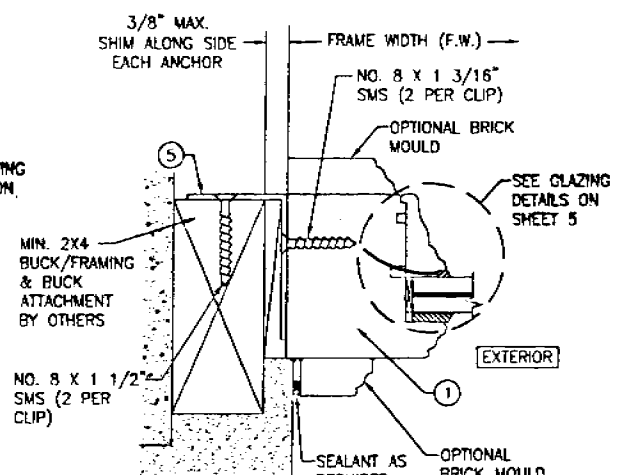
BUCK CONDITION SHOWN. METAL STUD OR STRUCTURAL STEEL SUBSTRATES ALSO APPLY IN LIEU OF BUCKS PER FRAME ANCHOR REQUIREMENTS TABLE ON SHEET 1

Approved as complying with the Florida Building Code
Date: 08/15/05
NOVA: [Signature]
Miami-Dade, Freedom Control Division
By: [Signature]



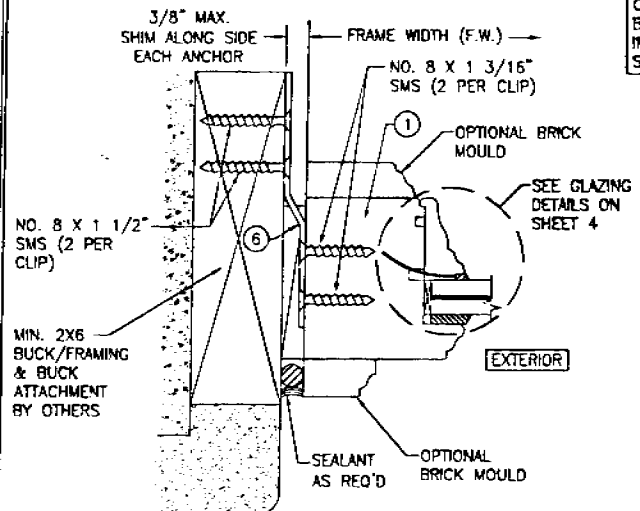
SECTION B1
SCALE: 1/2 FULL (SCREW MOUNT)

BUCK CONDITION SHOWN, METAL STUD OR STRUCTURAL STEEL SUBSTRATES ALSO APPLY IN LIEU OF BUCKS PER FRAME ANCHOR REQUIREMENTS TABLE ON SHEET 1



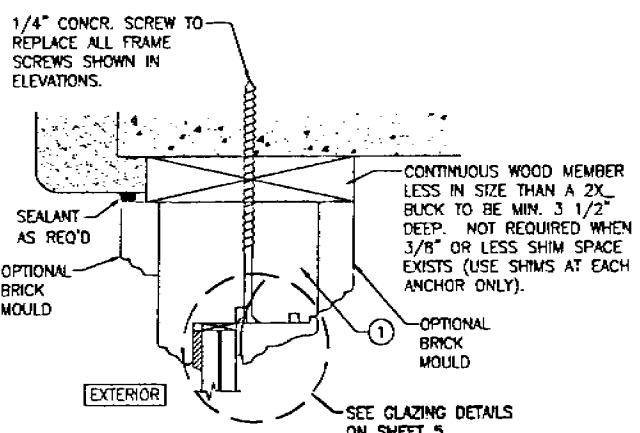
SECTION B2
SCALE: 1/2 FULL (CLIP MOUNT)

CLIPS & BRACKETS MAY BE POSITIONED AT THE INTERIOR OR EXTERIOR SIDE OF THE WINDOW

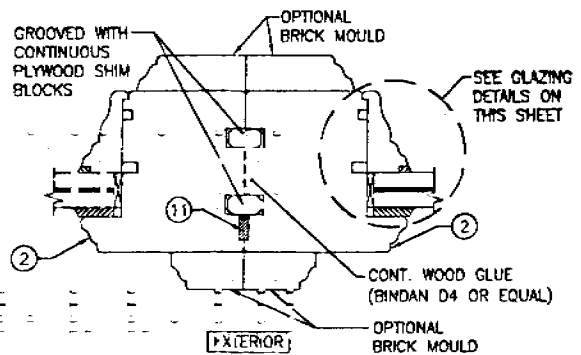


SECTION B3
SCALE: 1/2 FULL (BRACKET MOUNT)

BUCK CONDITION SHOWN, METAL STUD OR STRUCTURAL STEEL SUBSTRATES ALSO APPLY IN LIEU OF BUCKS PER FRAME ANCHOR REQUIREMENTS TABLE ON SHEET 1



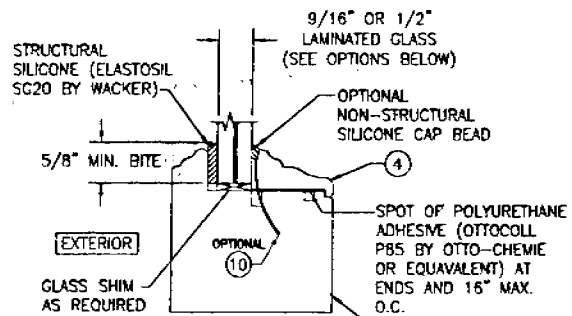
OPTIONAL DIRECT MOUNT DETAIL TO BLOCK OR CONCRETE WITH SPACER OR SHIM
HEAD SECTION SHOWN, SIDES AND SILL SIMILAR



SECTION C
SCALE: 1/2 FULL

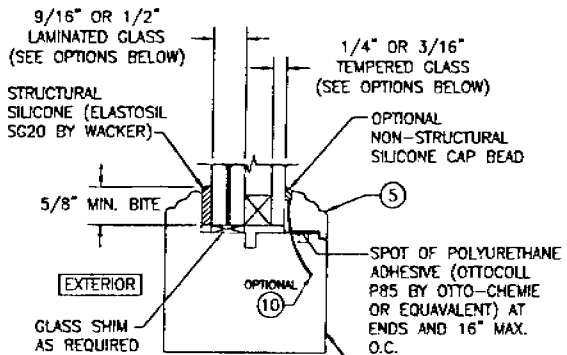
Approved as complying with the Florida Building Code.
Date: 08/12/10
Miami-Dade Building Department
Miami-Dade Permit Council
Division: *M. Khalil*

DESIGNED BY:	DATE:	CHECKED BY:	DATE:
PLT:	1-2	MS	3/11/05
NO.	REVISION DESCRIPTION	BY	DATE
DRAWING TITLE: AMERICAN & EUROPEAN DIRECT GLAZED IMPACT WOOD WINDOWS			
MANUFACTURER: PEETZ WINDOWS & DOORS 5783 S.W. 40TH STREET, FMB 220 MIAMI, FL 33155 305-665-0291			
CONSULTANTS: W. W. SCHAEFER ENGINEERING & CONSULTING, P.A. 8808 N. MILITARY TRAIL, SUITE C-204 PALM BEACH GARDENS, FL 33410 PHONE: 381-775-4802 FAX: 381-775-4803			
CERTIFICATION:	JUL 14 2005	W. W. SCHAEFER, P.E.	NO. 24138
DRAWING NO.:	1323	SHEET NO. 4 OF 5	



NON-I.G. GLAZING DETAIL

- GLASS OPTION:
1. 9/16" THICK SOLUTIA VANCEVA LAMINATED GLASS (1/4" AN/0.075" VANCEVA/1/4" AN)
 2. 9/16" THICK SOLUTIA VANCEVA LAMINATED GLASS (1/4" HT. ST./0.075" VANCEVA/1/4" HT. ST.)
 3. 1/2" THICK SOLUTIA SAFLEX III LAMINATED GLASS (3/16" AN/0.09" SAFLEX III PVB/1/4" AN)
 4. 9/16" THICK SOLUTIA VANCEVA LAMINATED GLASS (3/16" AN/0.075" VANCEVA/1/4" AN)

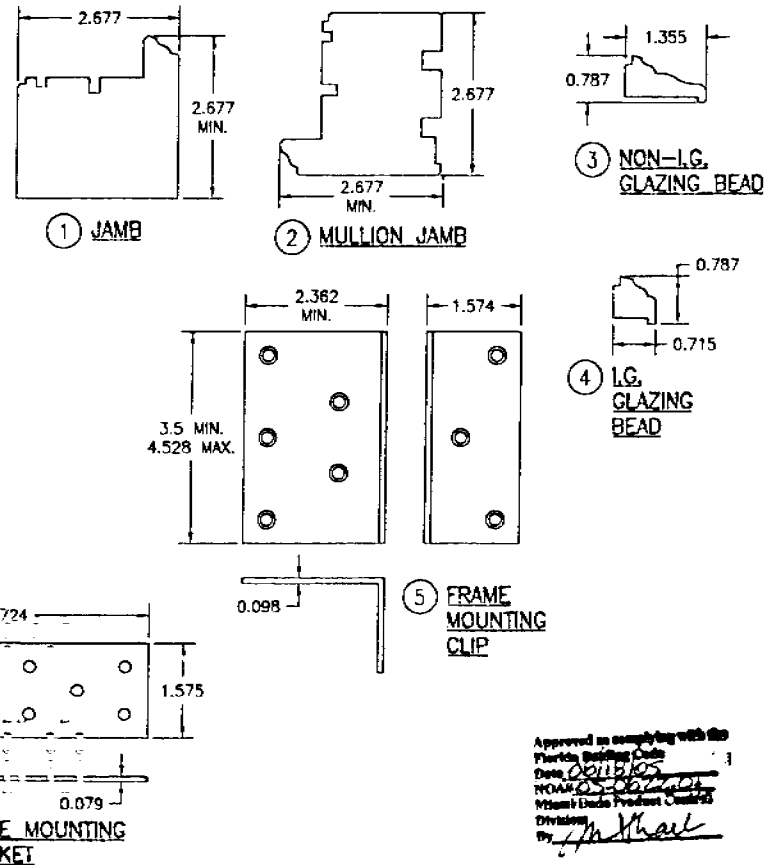


I.G. GLAZING DETAIL

- GLASS OPTION:
1. 9/16" THICK SOLUTIA VANCEVA LAMINATED OUTER GLASS (1/4" AN/0.075" VANCEVA/1/4" AN); 1/4" TEMPERED SINGLE PANE INNER GLASS & 1/2" AIR SPACE
 2. 9/16" THICK SOLUTIA VANCEVA LAMINATED OUTER GLASS (1/4" HT. ST./0.075" VANCEVA/1/4" HT. ST.); 1/4" TEMPERED SINGLE PANE INNER GLASS & 1/2" AIR SPACE
 3. 1/2" THICK SOLUTIA SAFLEX III LAMINATED OUTER GLASS (3/16" AN/0.09" SAFLEX III PVB/1/4" AN); 3/16" TEMPERED SINGLE PANE INNER GLASS & 1/2" AIR SPACE
 4. 1/2" THICK SOLUTIA VANCEVA LAMINATED OUTER GLASS (3/16" AN/0.075" VANCEVA/1/4" AN); 3/16" TEMPERED SINGLE PANE INNER GLASS & 1/2" AIR SPACE

ITEM #	ITEM DESCRIPTION	MANUFACTURER/NOTES
PARTS		
1	JAMB	MAHOGANY
2	MULLION JAMB	MAHOGANY
3	NON-I.G. GLAZING BEAD	MAHOGANY
4	I.G. GLAZING BEAD	MAHOGANY
5	FRAME MOUNTING CLIP	GALVANIZED 34.1 KSI STEEL
6	FRAME MOUNTING BRACKET	GALVANIZED 34.1 KSI STEEL
FASTENERS		
10	OPTIONAL 18 GA. X 1 1/4" GALVANIZED CURVED NAIL	10" FROM CORNERS & 20" O.C.
FASTENERS		
11	3/8" X 3/16" PRECOMPRESSED TAPE	ILLBRUCK WILLSEAL 600 OR EQUAL

NOTE: MAHOGANY USED IN TESTING WAS MERANTI MAHOGANY. OTHER WOOD SPECIES APPLICABLE FOR USE WITH THIS PRODUCT ARE MERBAU, DOUSSIE, SIPO, SAPELLI, HONDURAS MAHOGANY OR OAK. ALL WOOD IS MINIMUM GRADE 2 MILLED BY PEETZ TO SELECT.



DRAWN BY: WBS	CHECKED BY: WBS
PLOR: 1-1	DATE: 12/26/04
NO.	REVISION DESCRIPTION
DRAWING TITLE: AMERICAN & EUROPEAN DIRECT GLAZED IMPACT WOOD WINDOWS CONSULTANTS: W. W. SCHAEFER ENGINEERING & CONSULTING, P.A. MANUFACTURER: PEETZ WINDOWS & DOORS 5783 S.W. 40TH STREET, PMB 220 MIAMI, FL 33155 PHONE: 305-665-0291	
CERTIFICATION	JUL 14 2005 W. W. SCHAEFER P.E. 1323 SHEET NO. 5 OF 5

Approved as complying with the Florida Building Code
 Date: 06/15/05
 WWS
 Division: 1
 By: [Signature]

SPECIFICATIONS

Product: American Series (2 11/16" thick) Impact outswing and fixed casement windows (quantity 68) and impact inswing and outswing French doors (quantity 19).

Wood: Laminated and solid Sipo mahogany wood species.

Finish: Complete factory paint finish (same color for exterior and interior).
 Paint: Priming coat: "white" SP 110, Midcoat WM 270
 Final finish: "white" WF 380 RAL 9016

Glass: As specified in elevations
 Type: "A" 1/2" thick clear laminated monolithic impact glass (3/16" AN / 0.09" Solutia Saflex III / 1/4" AN).
 Type: "F" 9/16" thick clear laminated monolithic impact glass (1/4" HS / 0.075 Solutia Vanceva / 1/4" HS).
 Type: "K" 1/2" thick clear laminated monolithic impact glass (3/16" HS / 0.075 Solutia Vanceva / 1/4" HS).

Caulking: Wet glazing around perimeter and at muntins (interior and exterior) - exterior structural silicone is black. Interior glazing caulk is color customized to match interior stain. Glazing caulk is silicone based and is not paintable.

Weather-stripping and gaskets: color black

Mechanisms: Window (zinc-nickel plated steel "coastal finish") - multipoint mushroom cam locking mechanism with friction stop made by Siegenia.
 Doors (Stainless steel grade 300 mechanism made by HOPPE) - multipoint shoot bolts, deadbolt and latch. Door inactive sashes with handle driven shoot bolts (no interior flush bolt). Strike plates for horizontal bolts in stainless steel grade 400, made by GU. Strike plates for vertical bolts made of stainless steel grade 300 by Peetz. Sill strike plate faceplate bronze with antique finish.

Hardware: By others. Peetz will supply temporary handles during construction.

Hinges: Solid brass straight (non decorative) hinges with oil-rubbed bronze finish, plated with caps.

Muntin Bars: Mahogany interior and exterior surface mounted divided lites as specified (15 /16")

Screens: N.I.C.

Thresholds: Mahogany thresholds for windows.
 Solid bronze thresholds for doors with antique aged finish.

Installation: As required.
Brackets/ Screws: (see installation details)

Delivery: To jobsite 14 - 18 weeks after approval of shop drawings.

Brickmold: Exterior brickmold for head and jambs installed on job site by others. See sections.

Alarm contacts: on all operable sashes see elevations.

Design Pressures:
 - outswing Casement Windows +/- 70 psf
 - fixed Casement Windows +/- 75 psf
 - direct set Windows +/- 75 psf
 - inswing and outswing Doors +/-70 psf.

Legend	Drawing	Page
Specification Notes		01
Elevation		02 - 21
Horizontal Section	H1 - H3	22
	H4 - H5	23
	H6 - H7	24
	H8 - H9	25
	H10 - H11	26
	H12 - H13	27
	H14	28
	H15 - H16	29
	H17 - H18	30
	H19 - H20	31
	H21 - H22	32
	H23	33
	H24 - H25	34
	H26 - H27	35
Vertical Section	V1 - V2	36
	V3 - V4	37
	V5 - V6	38
	V7 - V8	39
	V9 - V10	40
	V11 - V13	41
	V14 - V15	42
	V16 - V17	43
	V18 - V20	44
	V21 - V22	45
Installation for Windows and Doors		46
Hardware Window		47
Hardware French Door		48
Hardware Single Door		49
Operation Doors		50
Hinges		51
Mechanism Detail Outswing Casement		52
Mechanism Detail Outswing Door		53
Mechanism Detail Inswing Door		54
Alarm Contacts Windows & Doors		55

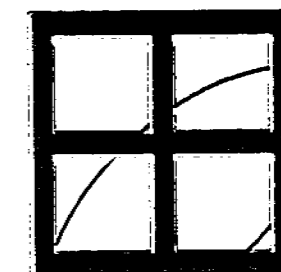
Date submitted to customer: _____

GENERAL NOTES

- Elevations are drawn as viewed from the interior or exterior.
- Approval of these drawings constitute that all design, dimensions and conditions of PEETZ products and adjacent work by other trades will be strictly executed and permit the installation of our product as shown.
- This drawing is made for the fabrication per our contract not for design. PEETZ does not assume any responsibility for effect of other trades.
- Handle (boring) height for doors is 3'-0 3/4" (933mm) from bottom of the sash unless otherwise specified.
 Handle (boring) height for windows is in the middle of sash unless otherwise specified.
- Peetz Windows and Doors, Inc. is not responsible for incorrect rough openings.
- Unit dimension is from outside frame to outside frame (unless otherwise noted).
- These initial shop drawings reflect all items included in the contract. Any changes to these shop drawings will result in adjustment to the contract price.
- The information contained within, property of Peetz Windows and Doors, Inc. must remain confidential and no portion of these drawings may be reproduced or used without the expressed permission of the company.
- When verifying shop drawings, any specifications diverging from municipal construction codes must be brought to our attention.
- The customer, architect or contractor is responsible for confirming all quantities and dimensions, design concept and intent and the general compliance with the contract documents.
- It is the responsibility of the customer, contractor or architect to verify the design pressures of the building with the Peetz windows and doors tested design pressures.

PEETZ

WINDOWS AND DOORS



Administration

Peetz Windows and Doors, Inc.
 Phone 305-665-0291
 Fax 305-669-2063
 5783 S.W.40 Street, PMB220
 Miami, FL 33155
 info@peetzwindows.com

Sales

Eva Marie Leon
 Phone 954-612-6777
 Fax 954-385-3371
 1579 Victoria Isle Way
 Weston, FL 33327
 eva@peetzwindows.com

www.peetzwindows.com

GAINOR RESIDENCE
 5800 North Bay Road
 Miami Beach, Florida

Mr. Greg Shirley
HANDCRAFT CONSTRUCTION
 7610 N.W. 6th AVENUE
 BOCA RATON, FLORIDA 33487
 Tel: (561) 241-9911

Document No.:

Drawn by: A. SAUER File: 01.s12

Date: 02/01/2006 Revised: 05/29/2006

Revised: 06/16/2006

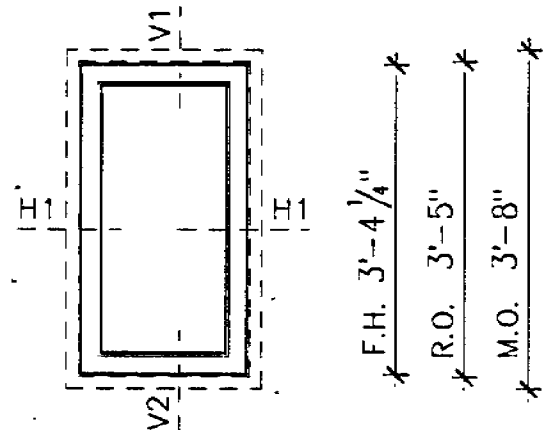
Scale: none Page 01 of 55

Window: A1 (Type 1)
 Qty.: 2
 Type: Direct Set Window
 Glasstype: A
 Buck: vertical: 2" x 6"
 horizontal: 2" x 6"

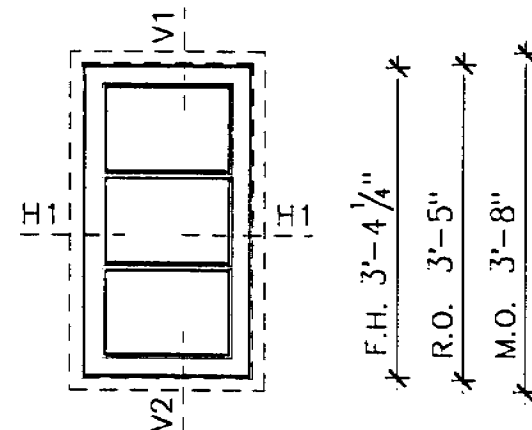
Window: A2 (Type 1A)
 Qty.: 1
 Type: Direct Set Window
 Glasstype: A
 Buck: vertical: 2" x 6"
 horizontal: 2" x 6"

Window: A-A-A (Type 1)
 Qty.: 2 as shown
 Type: Direct Set Window
 Glasstype: A
 Buck: vertical: no
 horizontal: no

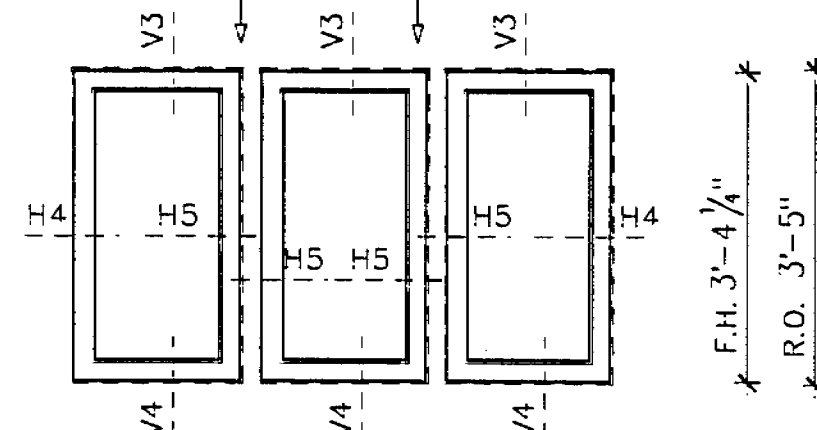
new steel column 2"x4" (structure by others)
 with solid wood jamb extension interior
 and exterior (by others)



F.W. 1'-9 1/4"
 R.O. 1'-10"
 M.O. 2'-1"



F.W. 1'-9 1/4"
 R.O. 1'-10"
 M.O. 2'-1"



F.W. 1'-9 1/4" 1'-9 1/4" 1'-9 1/4"
 R.O. 1'-10" 1'-10" 1'-10"

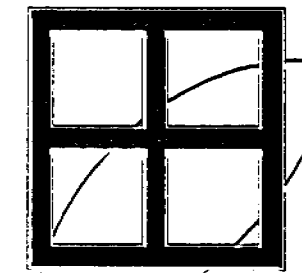
Qty.	Location:
1	Guest Vanity
1	Office Closet No.1

Qty.	Location:
1	Bryan's Bath

Qty.	Location:
1	Guest Bedroom
1	Mark's Office

PEETZ

WINDOWS AND DOORS



Administration
 Peetz Windows and Doors, Inc.
 Phone 305-665-0291
 Fax 305-669-2063
 5783 S.W.40 Street, PMB220
 Miami, FL 33155
 info@peetzwindows.com

Sales
 Eva Marie Leon
 Phone 954-812-6777
 Fax 954-385-3371
 1579 Victoria Isle Way
 Weston, FL 33327
 eva@peetzwindows.com
 www.peetzwindows.com

WINDOW ELEVATION

American Series
 view from exterior

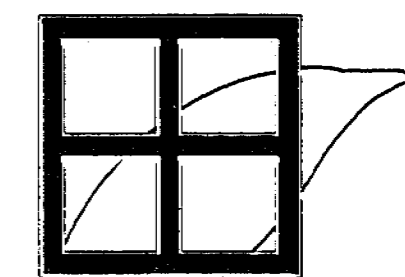
GAINOR RESIDENCE
 5800 North Bay Road
 Miami Beach, Florida

Mr. Greg Shirley
 HANDCRAFT CONSTRUCTION
 7610 N.W. 6th AVENUE
 BOCA RATON, FLORIDA 33487
 Tel: (561) 241-9911

Document No:
 Drawn by: A. SAUER File: 02.s12
 Date: 02/01/2006 Revised: 05/29/2006
 Revised: 06/15/2006
 Scale: none Page 02 of 55

PEETZ

WINDOWS AND DOORS



Administration
 Peetz Windows and Doors, Inc.
 Phone 305-665-0291
 Fax 305-669-2063
 5783 S.W. 40 Street, PMB220
 Miami, FL 33155
 Info@peetzwindows.com

Sales
 Eva Marie Leon
 Phone 054-612-6777
 Fax 054-385-3371
 1570 Victoria Isle Way
 Weston, FL 33327
 eva@peetzwindows.com
 www.peetzwindows.com

WINDOW ELEVATION

American Series
 view from exterior

GAINOR RESIDENCE
 5800 North Bay Road
 Miami Beach, Florida

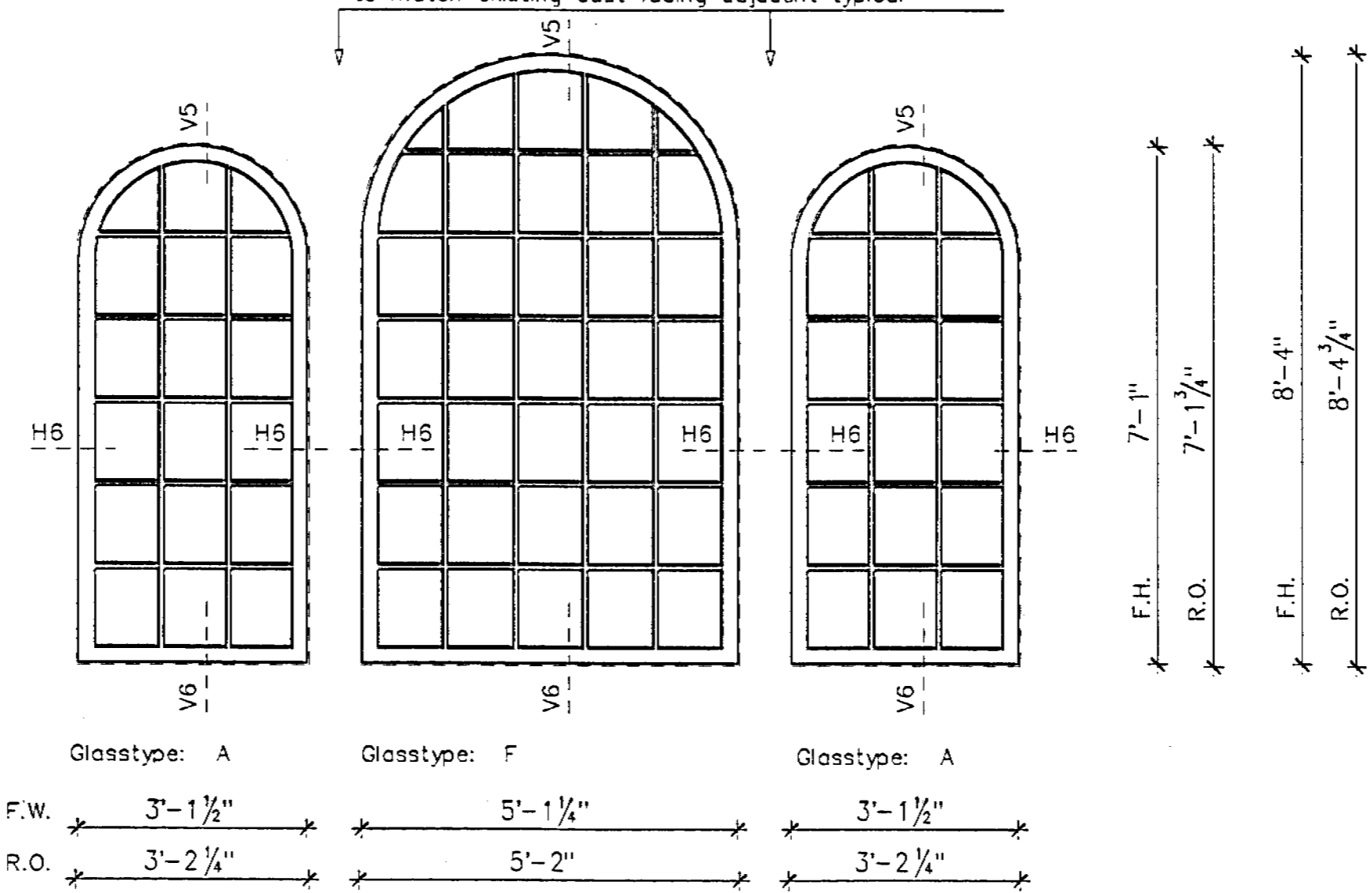
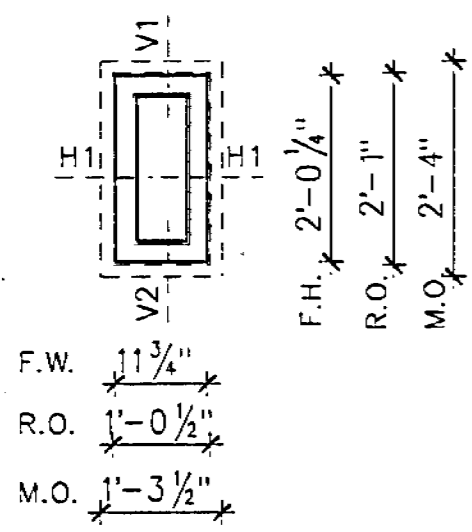
Mr. Greg Shirley
 HANDCRAFT CONSTRUCTION
 7610 N.W. 6th AVENUE
 BOCA RATON, FLORIDA 33487
 Tel: (561) 241-9911

Document No.:	
Drawn by: A. SAUER	File: 03.s12
Date: 02/01/2006	Revised: 05/29/2006
	Revised: 06/16/2006
Scale: none	Page 03 of 55

Window: B (Type 2)
 Qty.: 2
 Type: Direct Set Window
 Glasstype: A
 Buck: vertical: 2" x 6"
 horizontal: 2" x 6"

Window: E-F-E (Type 5 and 6)
 Qty.: 1 as shown
 Type: Direct Set Window
 Buck: vertical: no
 horizontal: no

new concrete column protect with new stucco return
 to match existing cast facing adjacent typical



Qty.:	Location:
1	Office Closet No.2
1	Guest Bedroom

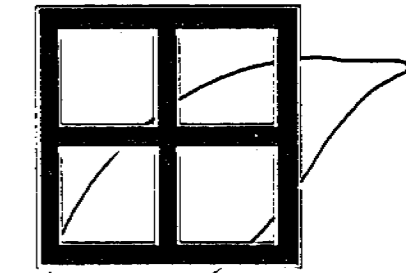
Qty.:	Location:
1	Breakfast Room

Window: G-J-G (Type 7 and 9)
 Qty.: 1 as shown
 Type: Direct Set Window

Glasstype: A
 Buck: vertical: 2" x 6" at CMU-Wall
 no buck at steel column
 horizontal: 2" x 6"

Window: H (Type 8)
 Qty.: 1
 Type: Casement Window
 outswing
 Glasstype: A
 Buck: vertical: 2" x 6"
 horizontal: 2" x 6"

PEETZ
 WINDOWS AND DOORS

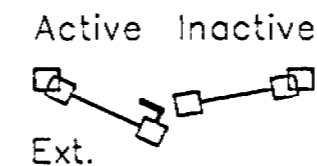
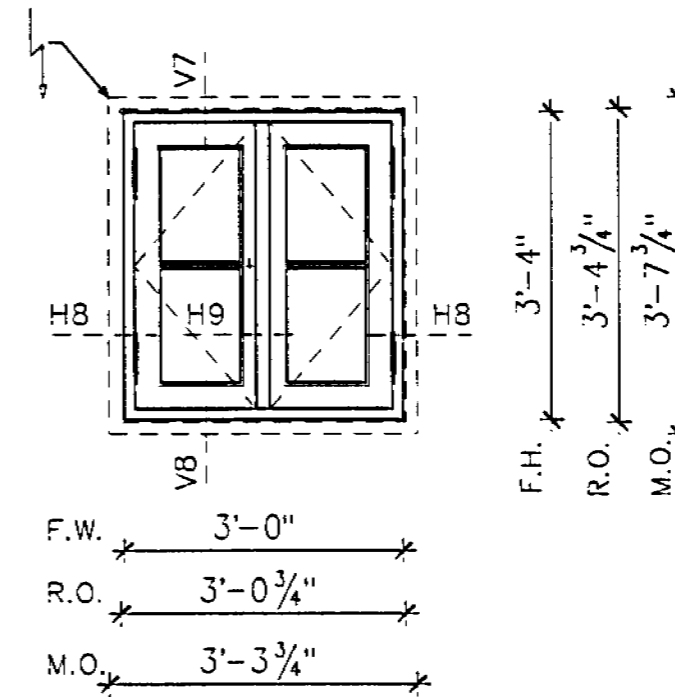
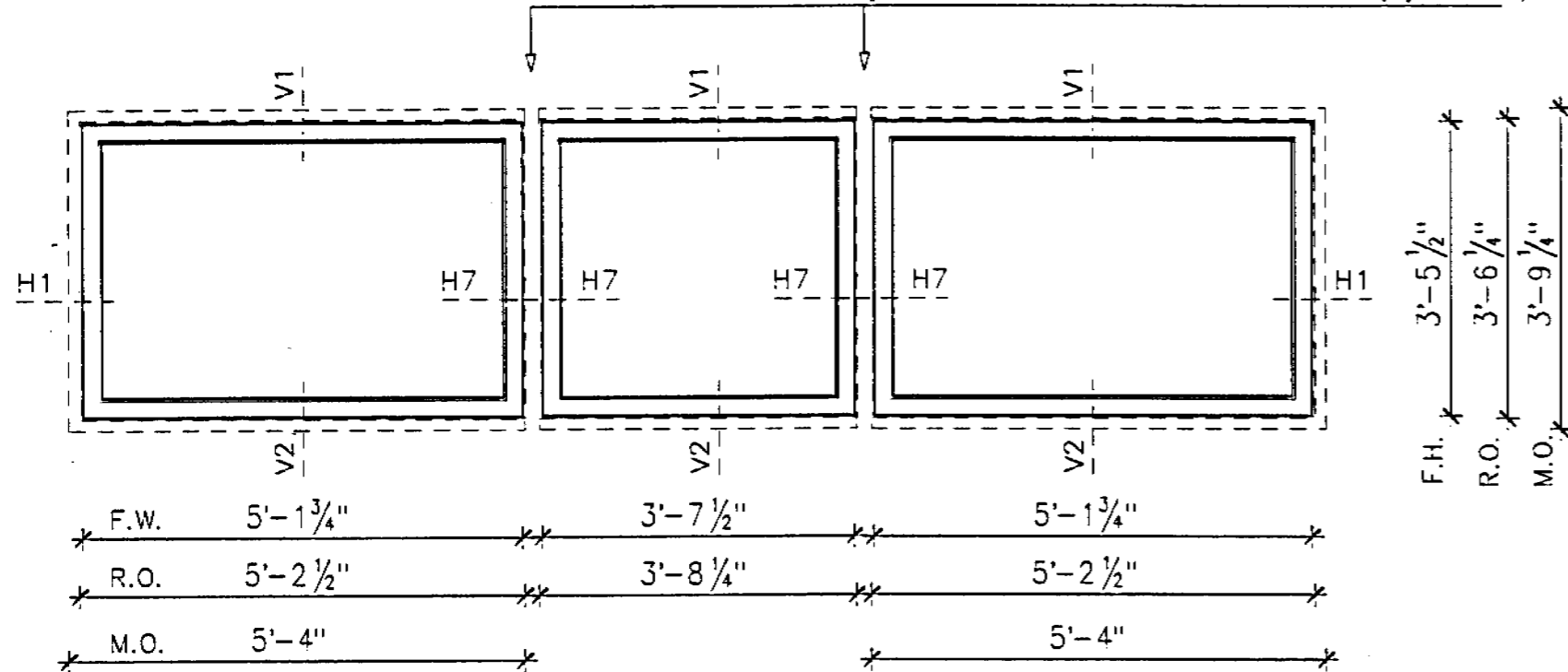


Administration
 Peetz Windows and Doors, Inc.
 Phone 305-865-0291
 Fax 305-889-2083
 5783 S.W.40 Street, PMB220
 Miami, FL 33155
 Info@peetzwindows.com

Sales
 Eva Marie Leon
 Phone 954-612-6777
 Fax 954-385-3371
 1579 Victoria Isle Way
 Westorf, FL 33327
 eva@peetzwindows.com

www.peetzwindows.com

new steel column 2"x4" (structure by others)
 with solid wood jamb extension interior and exterior (by others)



Qty.:	Location:
1	Kitchen

Qty.:	Location:
1	Service Quarters

WINDOW ELEVATION

American Series
 view from exterior

GAINOR RESIDENCE
 5800 North Bay Road
 Miami Beach, Florida

Mr. Greg Shirley
 HANDCRAFT CONSTRUCTION
 7610 N.W. 5th AVENUE
 BOCA RATON, FLORIDA 33487
 Tel: (561) 241-9911

Document No.:
 Drawn by: A. SAUER File: 04.s12
 Date: 02/01/2005 Revised: 05/29/2005
 Revised: 06/16/2006
 Scale: none Page 04 of 55

Window: K (Type 10)
 Qty.: 1
 Type: Direct Set Window

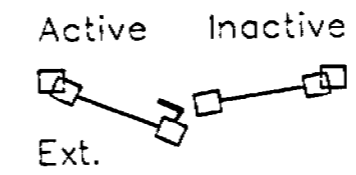
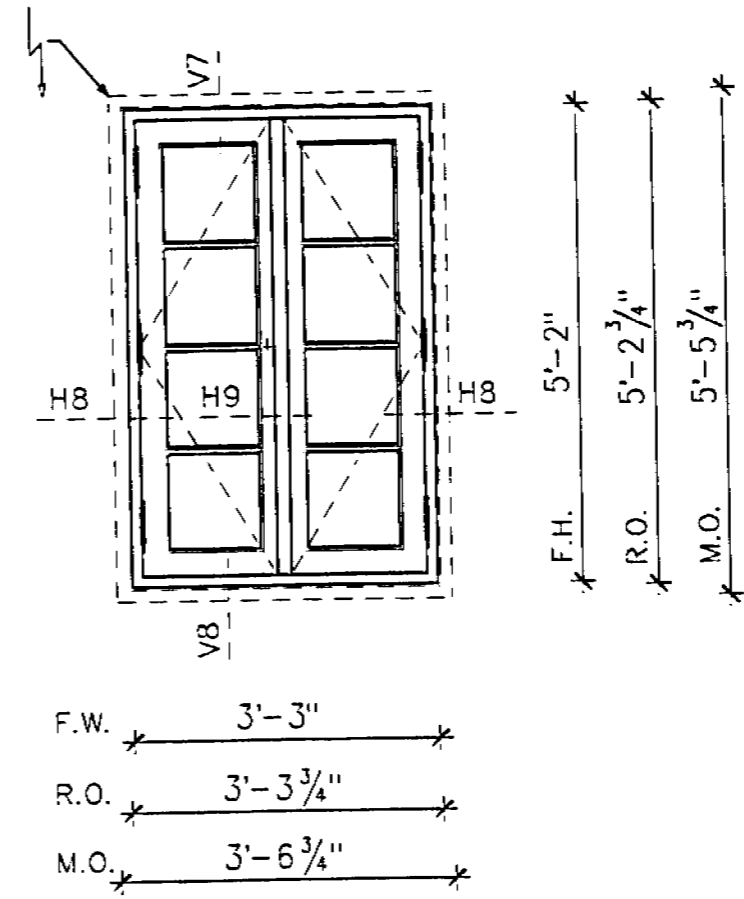
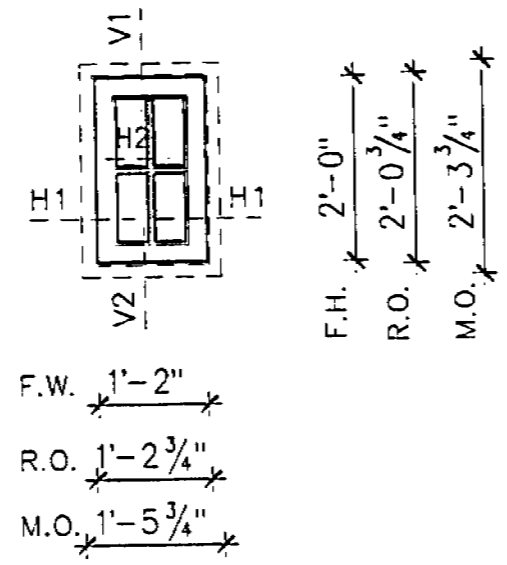
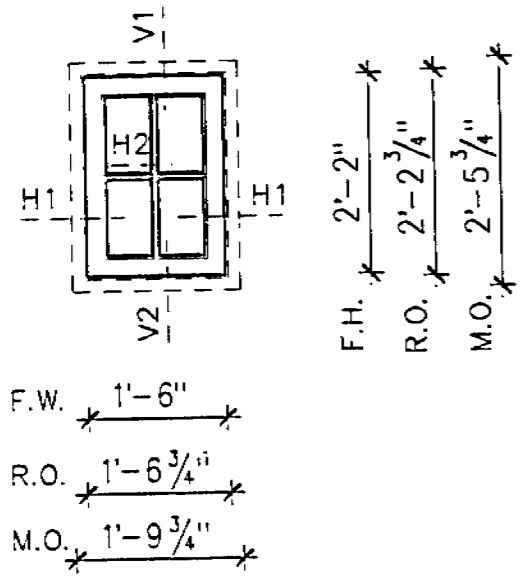
Glasstype: A
 Buck: vertical: 2" x 6"
 horizontal: 2" x 6"

Window: L (Type 11)
 Qty.: 4
 Type: Direct Set Window

Glasstype: A
 Buck: vertical: 2" x 6"
 horizontal: 2" x 6"

Window: M (Type 12)
 Qty.: 7
 Type: Casement Window
 outswing

Glasstype: A
 Buck: vertical: 2" x 6"
 horizontal: 2" x 6"



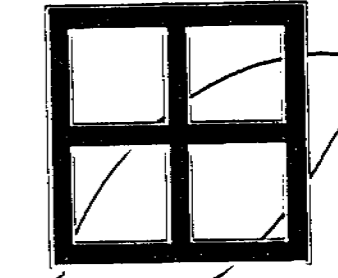
Qty.	Location:
1	Food Pantry

Qty.	Location:
1	Service Bath
1	Service Vestibule
2	A/C Unit No.3

Qty.	Location:
1	Taylor's Closet/Bath
3	Taylor's Bedroom
2	Bryan's Bedroom
1	Bryan's Bath - Shower

PEETZ

WINDOWS AND DOORS



Administration
 Peetz Windows and Doors, Inc.
 Phone 305-665-0291
 Fax 305-669-2063
 5783 S.W.40 Street, PMB220
 Miami, FL 33155
 info@peetzwindows.com

Sales
 Eva Marie Leon
 Phone 954-612-5777
 Fax 954-385-3371
 1579 Victoria Isle Way
 Weston, FL 33327
 eva@peetzwindows.com

www.peetzwindows.com

WINDOW ELEVATION

American Series
 view from exterior

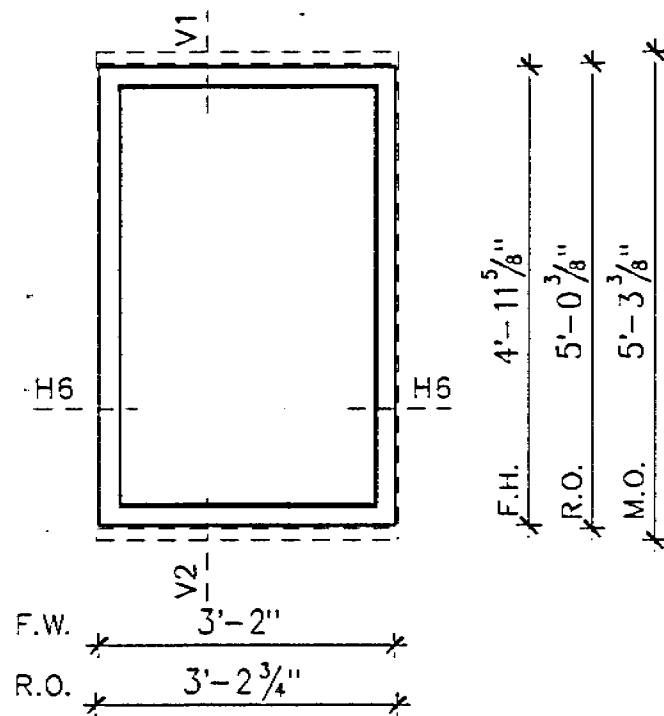
GAINOR RESIDENCE
 5800 North Bay Road
 Miami Beach, Florida

Mr. Greg Shirley
 HANDCRAFT CONSTRUCTION
 7610 N.W. 5th AVENUE
 BOCA RATON, FLORIDA 33487
 Tel: (561) 241-9911

Document No.:	
Drawn by: A. SAUER	File: 05.s12
Date: 02/01/2006	Revised: 05/29/2006
	Revised: 06/16/2006
Scale: none	Page 05 of 55

Window: N (Type 13)
 Qty.: 3
 Type: Direct Set Window

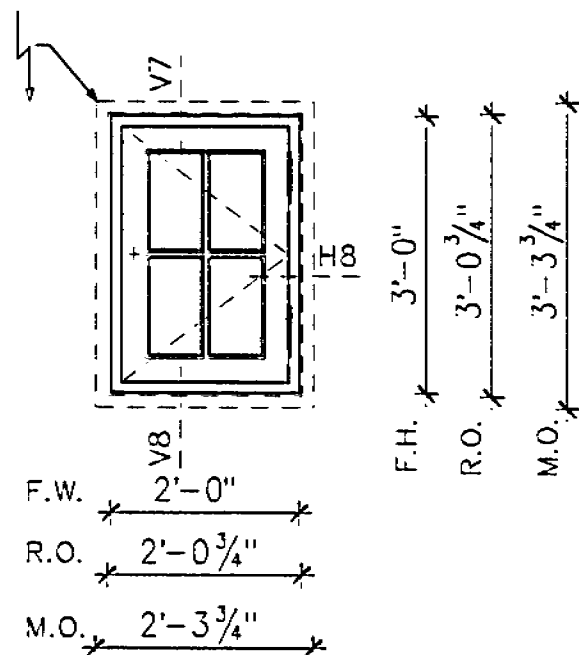
Glasstype: A
 Buck: vertical: no
 horizontal: 2" x 6"



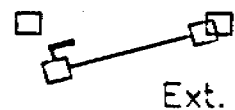
Qty.:	Location:
3	Taylor's Study

Window: P (Type 14)
 Qty.: 1
 Type: Casement Window
 outswing

Glasstype: A
 Buck: vertical: 2" x 6"
 horizontal: 2" x 6"

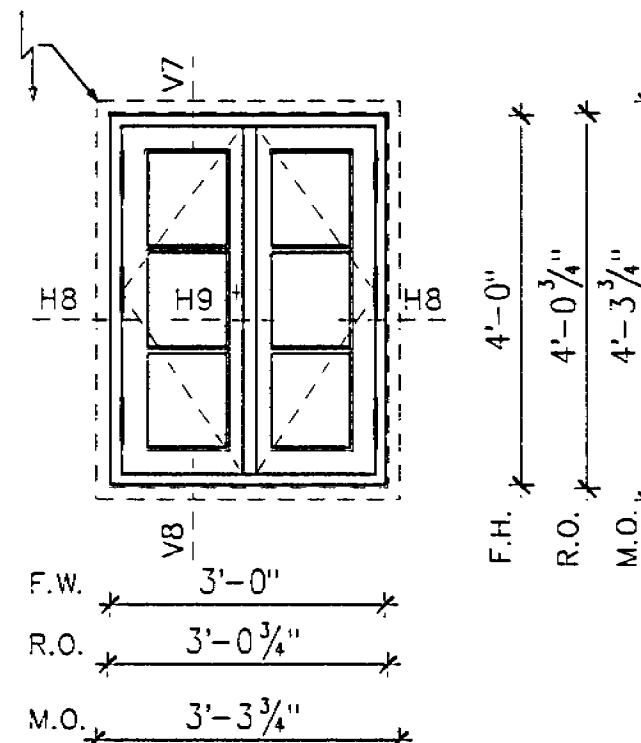


Qty.:	Location:
1	Taylor's Closet/Bath

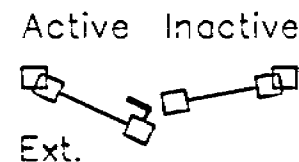


Window: Q (Type 15)
 Qty.: 2
 Type: Casement Window
 outswing

Glasstype: A
 Buck: vertical: 2" x 6"
 horizontal: 2" x 6"

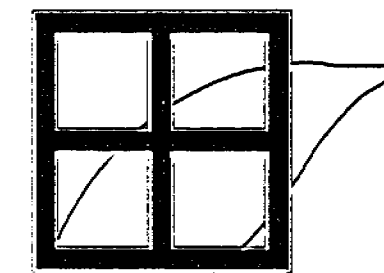


Qty.:	Location:
1	Bryan's Closet
1	Master Bath - Shower



PEETZ

WINDOWS AND DOORS



Administration
 Peetz Windows and Doors, Inc.
 Phone 305-665-0291
 Fax 305-669-2063
 5783 S.W. 40 Street, PMB220
 Miami, FL 33155
 info@peetzwindows.com

Sales
 Eva Marie Leon
 Phone: 954-812-8777
 Fax: 954-385-3371
 1570 Victoria Isle Way
 Weston, FL 33327
 eva@peetzwindows.com
 www.peetzwindows.com

WINDOW ELEVATION

American Series
 view from exterior

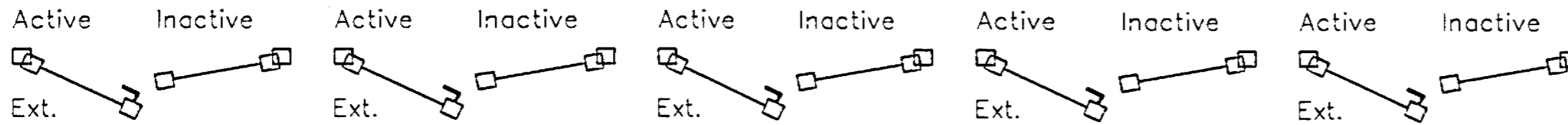
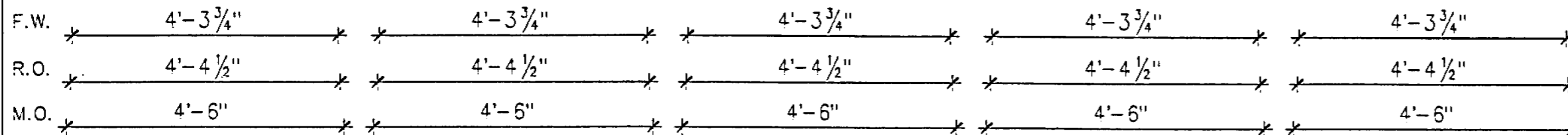
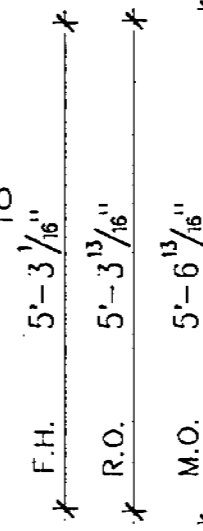
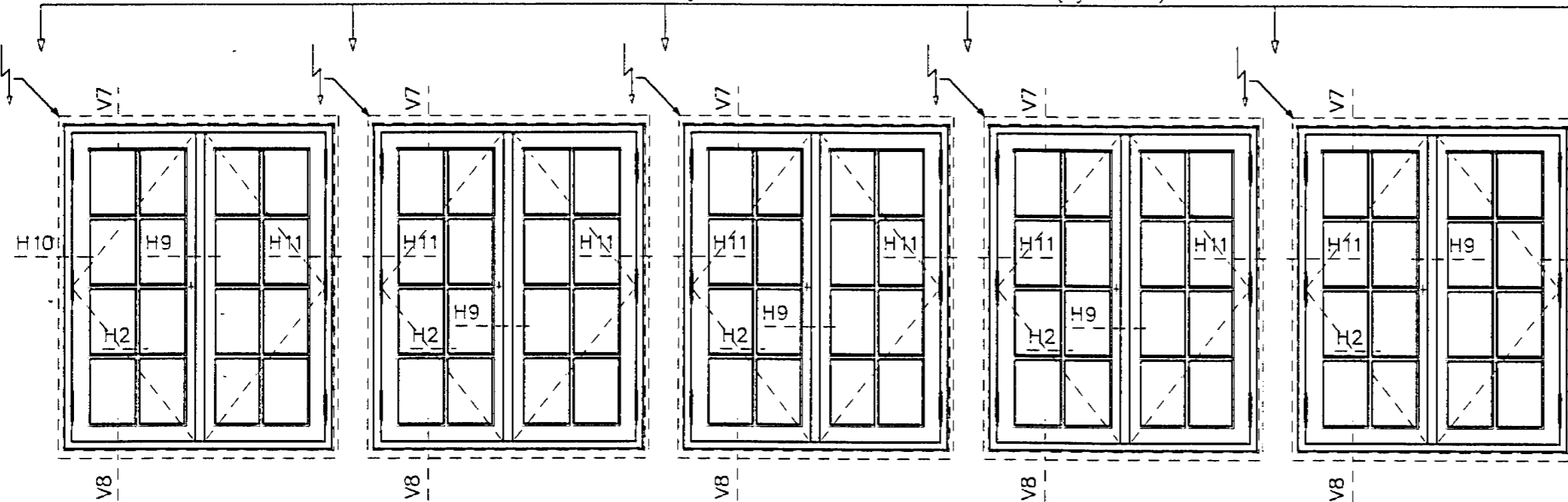
GAINOR RESIDENCE
 5800 North Bay Road
 Miami Beach, Florida

Mr. Greg Shirley
HANDCRAFT CONSTRUCTION
 7610 N.W. 6th AVENUE
 BOCA RATON, FLORIDA 33487
 Tel: (561) 241-9911

Document No.:
 Drawn by: A. SAUER File: 06.s12
 Date: 02/01/2006 Revised: 05/29/2006
 Revised: 06/16/2006
 Scale: none Page 06 of 55

Window: R-R-R-R-R (Type 15)
 Qty.: 1 as shown
 Type: Casement Window
 outswing
 Glasstype: A
 Buck: vertical: 1" x 4"
 horizontal: 2" x 6"

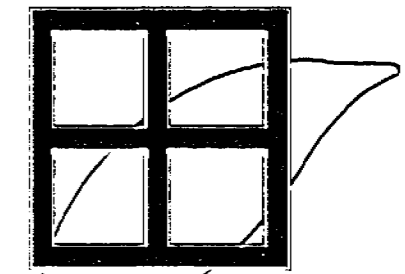
new steel column 4"x4" (structure by others)
 with solid wood jamb extension interior and exterior (by others)



Qty.:	Location:
1	Elyse's Office

PEETZ

WINDOWS AND DOORS



Administration
 Peetz Windows and Doors, Inc.
 Phone 305-665-0291
 Fax 305-669-2063
 5783 S.W.40 Street, PMB220
 Miami, FL 33155
 info@peetzwindows.com

Sales
 Eva Marie Leon
 Phone 354-612-8777
 Fax 354-385-3371
 1579 Victoria Isle Way
 Weston, FL 33327
 eva@peetzwindows.com
 www.peetzwindows.com

WINDOW
 ELEVATION
 American Series
 view from exterior

GAINOR RESIDENCE
 5800 North Bay Road
 Miami Beach, Florida

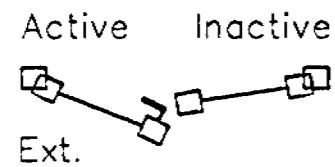
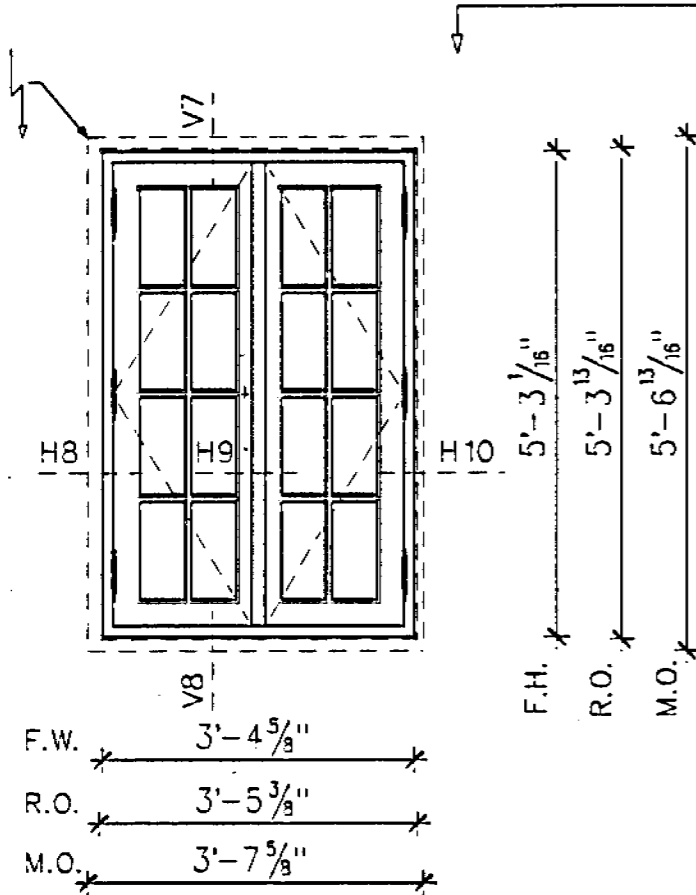
Mr. Greg Shirley
 HANDCRAFT CONSTRUCTION
 7610 N.W. 6th AVENUE
 BOCA RATON, FLORIDA 33487
 Tel: (561) 241-9911

Document No.:
 Drawn by: A. SAUER File: 07.s12
 Date: 02/01/2006 Revised: 05/29/2006
 Revised: 06/16/2006
 Scale: none Page 07 of 55

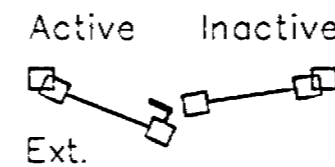
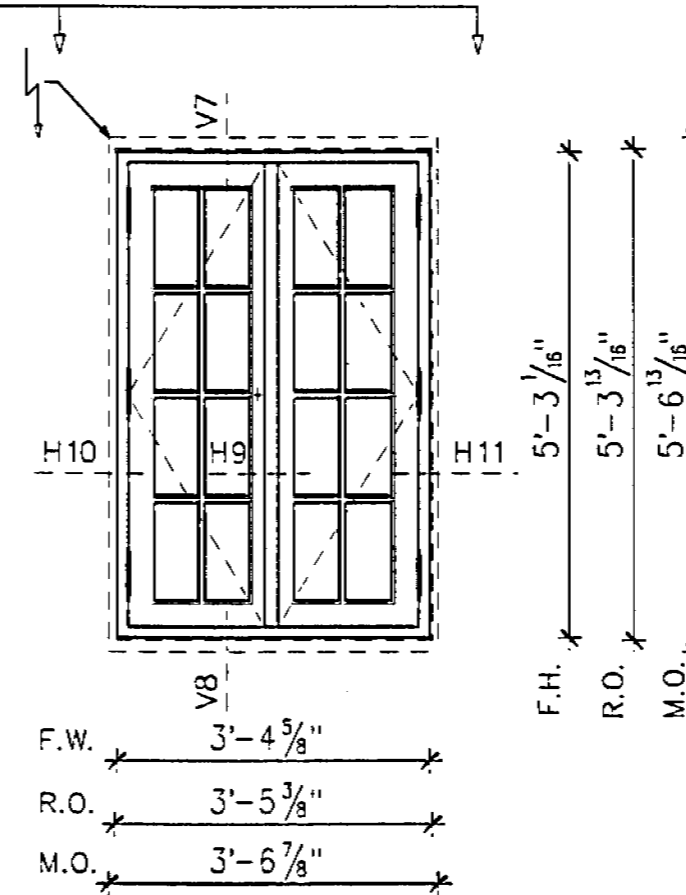
Window: S (Type 17)
 Qty.: 1
 Type: Casement Window
 outswing
 Glasstype: A
 Buck: vertical: 2" x 6" at CMU-Wall
 1" x 4" at steel column
 horizontal: 2" x 6"

Window: S (Type 17)
 Qty.: 1
 Type: Casement Window
 outswing
 Glasstype: A
 Buck: vertical: 1" x 4"
 horizontal: 2" x 6"

new steel column 4"x4" (structure by others)
 with solid wood jamb extension (by others) interior and exterior



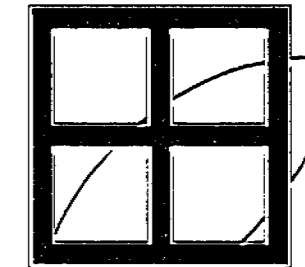
Qty.:	Location:
1	Elyse's Office



Qty.:	Location:
1	Elyse's Office

PEETZ

WINDOWS AND DOORS



Administration
 Peetz Windows and Doors, Inc.
 Phone 305-685-0291
 Fax 305-689-2063
 5783 S.W.40 Street, PMB220
 Miami, FL 33155
 info@peetzwindows.com

Sales
 Eva Marie Leon
 Phone 954-612-6777
 Fax 954-385-3371
 1579 Victoria Isle Way
 Weston, FL 33327
 eva@peetzwindows.com
 www.peetzwindows.com

WINDOW ELEVATION

American Series
 view from exterior

GAINOR RESIDENCE
 5800 North Bay Road
 Miami Beach, Florida

Mr. Greg Shirley
 HANDCRAFT CONSTRUCTION
 7610 N.W. 6th AVENUE
 BOCA RATON, FLORIDA 33487
 Tel: (561) 241-9911

Document No.:	
Drawn by: A. SAUER	File: 08.s12
Date: 02/01/2006	Revised: 05/29/2006
	Revised: 06/16/2006
Scale: none	Page 08 of 55

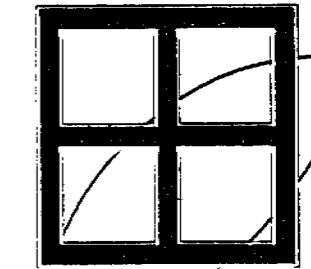
Window: U (Type 19)
 Qty.: 1
 Type: Casement Window
 outswing
 Glasstype: A
 Buck: vertical: 2" x 6"
 horizontal: 2" x 6"

Window: V (Type 20)
 Qty.: 5
 Type: Casement Window
 outswing
 Glasstype: A
 Buck: vertical: 2" x 6"
 horizontal: 2" x 6"

Window: V1-V1-V1 (Type 20)
 Qty.: 1 as shown
 Type: Direct Set Window
 Glasstype: A
 Buck: vertical: 2" x 6" at CMU-Wall
 no buck at steel column
 horizontal: 2" x 6"

PEETZ

WINDOWS AND DOORS



Administration
 Peetz Windows and Doors, Inc.
 Phone 305-885-0291
 Fax 305-889-2083
 5783 S.W.40 Street, PMB220
 Miami, FL 33155
 info@peetzwindows.com

Sales
 Eva Marie Leon
 Phone 954-812-6777
 Fax 954-385-3371
 1579 Victoria Isle Way
 Weston, FL 33327
 eva@peetzwindows.com
 www.peetzwindows.com

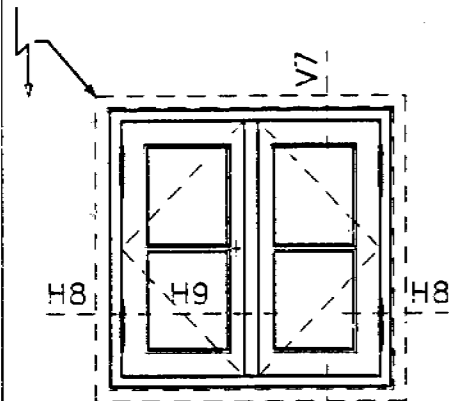
WINDOW ELEVATION

American Series
 view from exterior

GAINOR RESIDENCE
 5800 North Bay Road
 Miami Beach, Florida

Mr. Greg Shirley
 HANDCRAFT CONSTRUCTION
 7610 N.W. 6th AVENUE
 BOCA RATON, FLORIDA 33487
 Tel: (561) 241-9911

Document No.:
 Drawn by: A. SAUER File: 09.s12
 Date: 02/01/2006 Revised: 05/29/2006
 Revised: 06/16/2006
 Scale: none Page 09 of 55

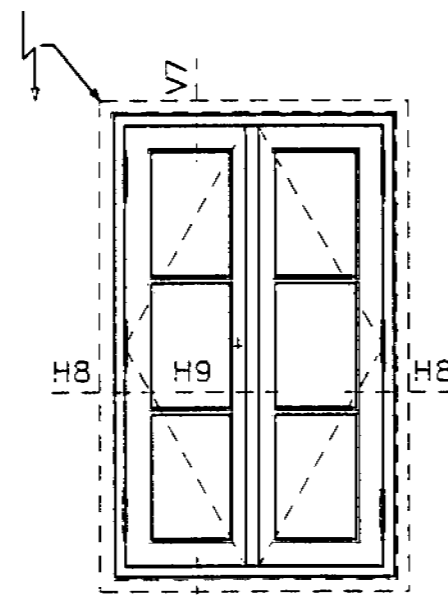


F.W. 3'-0"
 R.O. 3'-0 3/4"
 M.O. 3'-3 3/4"

Active Inactive



Qty.:	Location:
1	Gym Bath



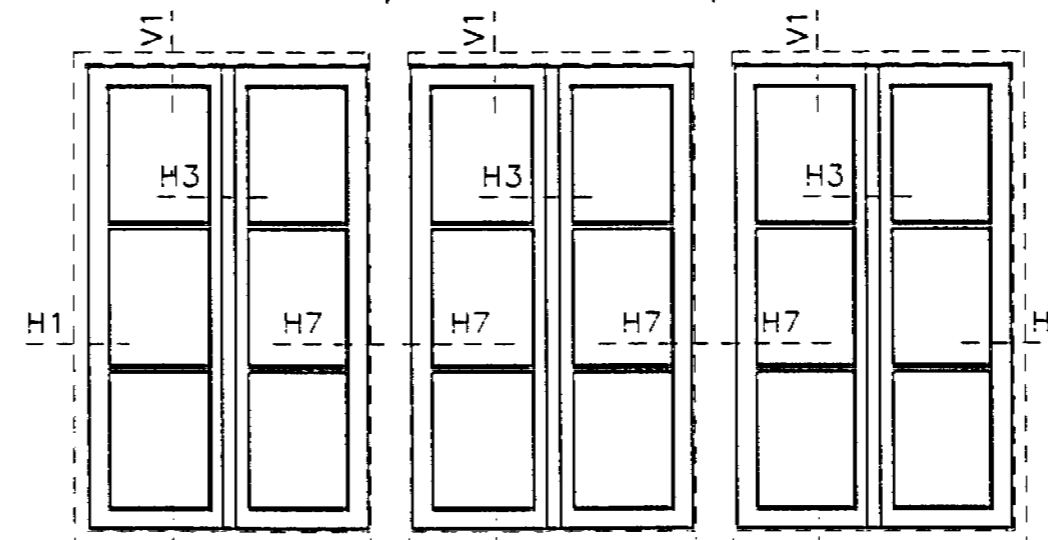
F.W. 3'-0"
 R.O. 3'-0 3/4"
 M.O. 3'-3 3/4"

Active Inactive



Qty.:	Location:
3	Gym
2	House Manager Office

F.H. 5'-0"
 R.O. 5'-0 3/4"
 M.O. 5'-3 3/4"



F.W. 3'-0"
 R.O. 3'-0 3/4"
 M.O. 3'-2 1/4"

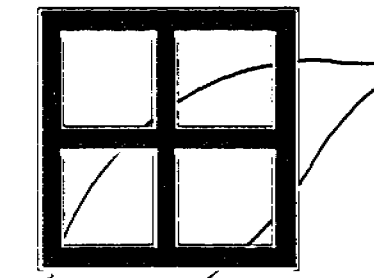
Qty.:	Location:
1	Mark's Closet

new steel column 4"x4" (structure by others)
 with solid wood jamb extension interior
 and exterior (by others)

F.H. 5'-0"
 R.O. 5'-0 3/4"
 M.O. 5'-3 3/4"

PEETZ

WINDOWS AND DOORS

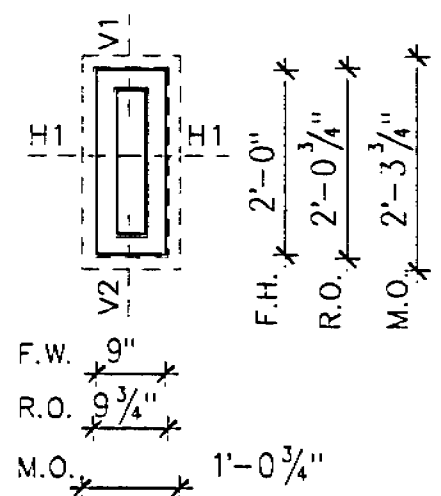
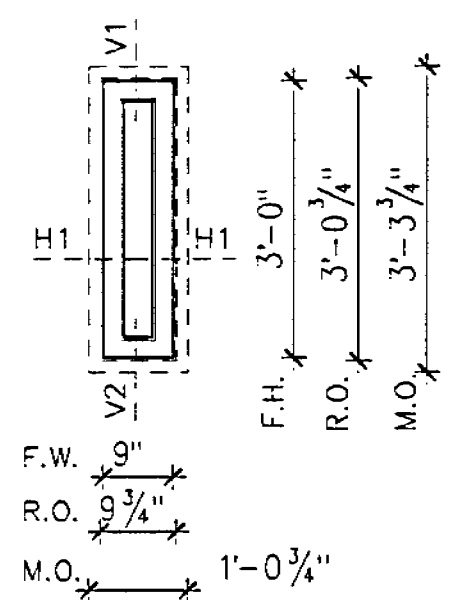


Administration
 Peetz Windows and Doors, Inc.
 Phone 305-665-0291
 Fax 305-669-2063
 5783 S.W. 40 Street, PMB220
 Miami, FL 33155
 Info@peetzwindows.com

Sales
 Eva Marie Leon
 Phone 954-612-6777
 Fax 954-385-3371
 1579 Victoria Isle Way
 Weston, FL 33327
 eva@peetzwindows.com
 www.peetzwindows.com

Window: W (Type 21)
 Qty.: 1
 Type: Direct Set Window
 Glasstype: A
 Buck: vertical: 2" x 6"
 horizontal: 2" x 6"

Window: X (Type 22)
 Qty.: 2
 Type: Direct Set Window
 Glasstype: A
 Buck: vertical: 2" x 6"
 horizontal: 2" x 6"



Qty.:	Location:
1	Office Vestibule

Qty.:	Location:
1	Stairs
1	A/C Unit No.6

WINDOW ELEVATION
 American Series
 view from exterior

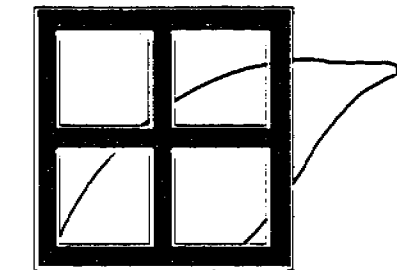
GAINOR RESIDENCE
 5800 North Bay Road
 Miami Beach, Florida

Mr. Greg Shirley
 HANDCRAFT CONSTRUCTION
 7610 N.W. 5th AVENUE
 BOCA RATON, FLORIDA 33487
 Tel: (561) 241-9911

Document No.:	
Drawn by: A. SAUER	File: 10.s12
Date: 02/01/2006	Revised: 05/29/2006
	Revised: 05/16/2006
Scale: none	Page 10 of 55

PEETZ

WINDOWS AND DOORS



Administration
 Peetz Windows and Doors, Inc.
 Phone 305-665-0291
 Fax 305-669-2063
 5783 S.W.40 Street, PMB220
 Miami, FL 33155
 Info@peetzwindows.com

Sales
 Eva Marie Leon
 Phone 954-612-6777
 Fax 954-385-3371
 1579 Victoria Isle Way
 Weston, FL 33327
 eva@peetzwindows.com

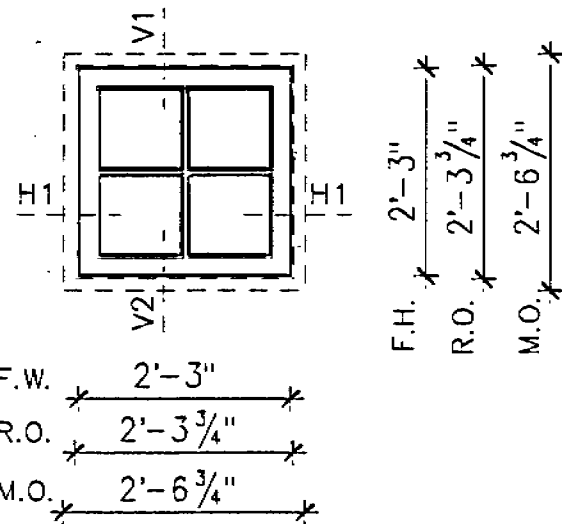
www.peetzwindows.com

Window: Y (Type 23)
 Qty.: 2
 Type: Direct Set Window
 Glasstype: A
 Buck: vertical: 2" x 6"
 horizontal: 2" x 6"

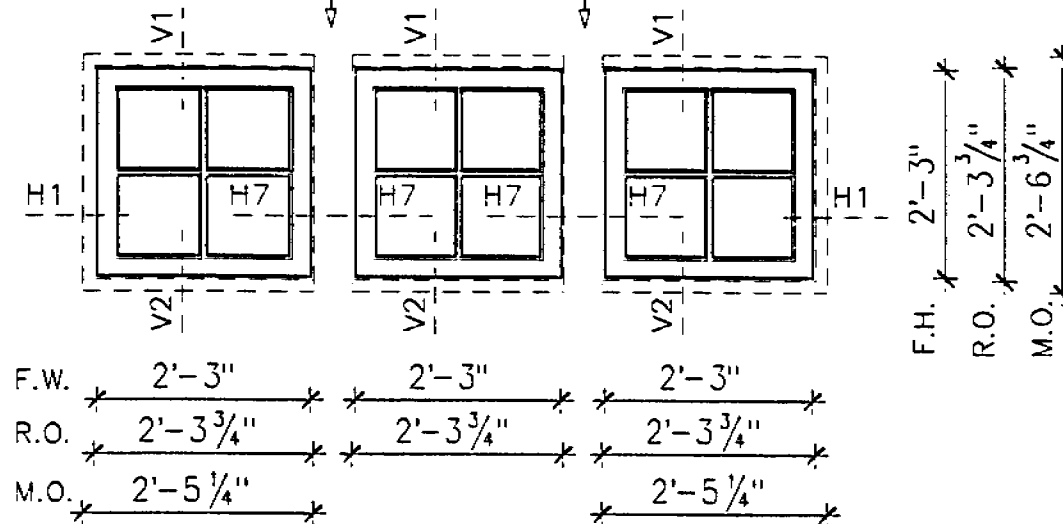
Window: Y-Y-Y (Type 23)
 Qty.: 3 as shown
 Type: Direct Set Window
 Glasstype: A
 Buck: vertical: 2" x 6" at CMU-Wall
 no buck at steel column
 horizontal: 2" x 6"

Window: Z (Type 24)
 Qty.: 2
 Type: Direct Set Window
 Glasstype: A
 Buck: vertical: 2" x 6"
 horizontal: 2" x 6"

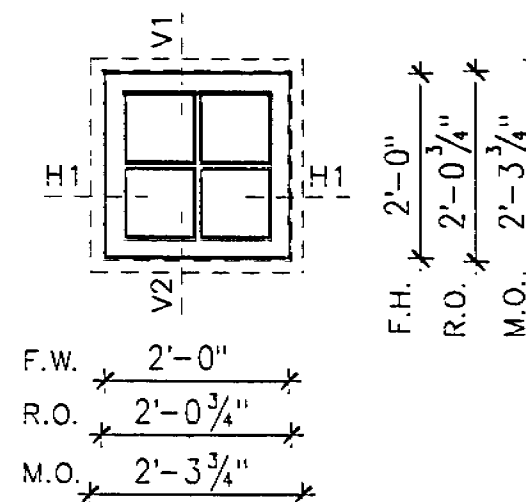
new steel column 4"x4" (structure by others)
 with solid wood jamb extension interior and exterior (by others)



Qty.:	Location:
1	Linen Hall
1	Office Bath



Qty.:	Location:
3	Master Hall



Qty.:	Location:
1	Utility Closet
1	Stairs

WINDOW ELEVATION

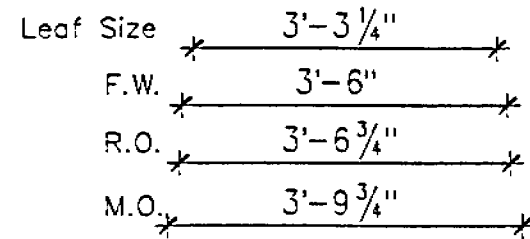
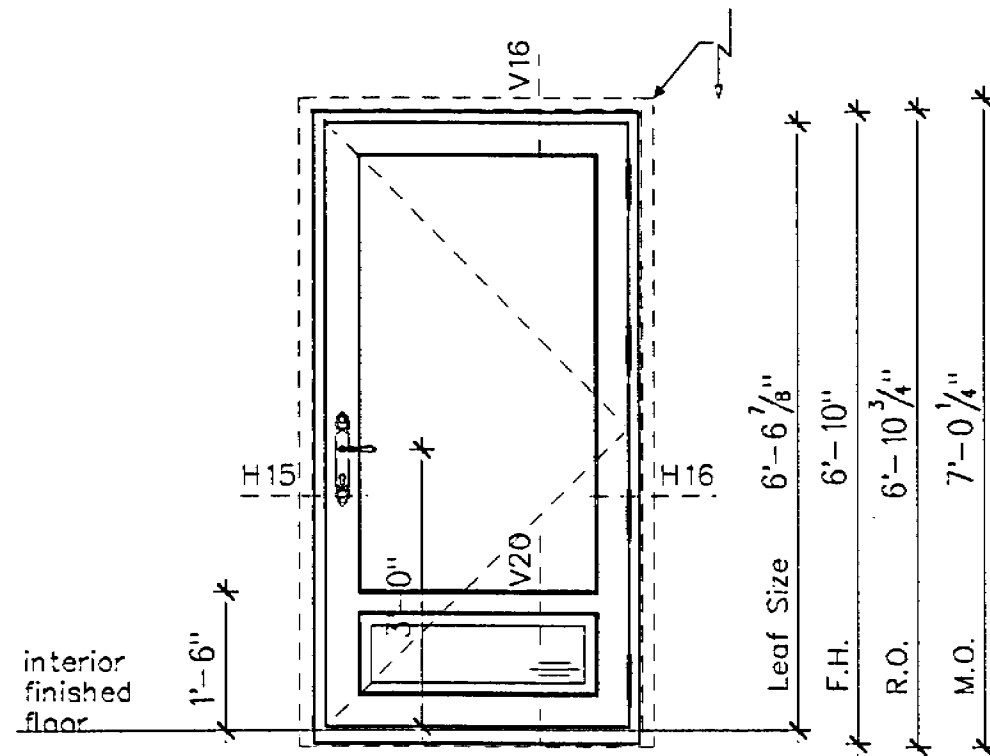
American Series
 view from exterior

GAINOR RESIDENCE
 5800 North Bay Road
 Miami Beach, Florida

Mr. Greg Shirley
 HANDCRAFT CONSTRUCTION
 7610 N.W. 6th AVENUE
 BOCA RATON, FLORIDA 33487
 Tel: (561) 241-9911

Document No.:
 Drawn by: A. SAUER File: 11.s12
 Date: 02/01/2005 Revised: 05/29/2005
 Revised: 06/16/2006
 Scale: none Page 11 of 55

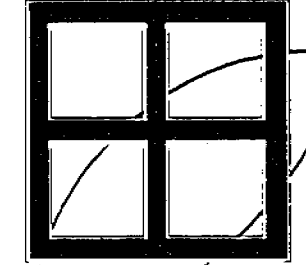
Door: 1 (Type A)
 Qty.: 1
 Type: Single French Door with raised Panel inswing
 Glasstype: A
 Buck: vertical: 2" x 6"
 horizontal: 2" x 6" at head



Qty.:	Location:
1	Entry Vestibule

PEETZ

WINDOWS AND DOORS



Administration
 Peetz Windows and Doors, Inc.
 Phone 305-665-0291
 Fax 305-669-2063
 5783 S.W.40 Street, PMB220
 Miami, FL 33155
 Info@peetzwindows.com

Sales
 Eva Marie Leon
 Phone 954-612-6777
 Fax 954-385-3371
 1579 Victoria Isle Way,
 Weston, FL 33327
 eva@peetzwindows.com
 www.peetzwindows.com

DOOR ELEVATION

American Series
view from interior

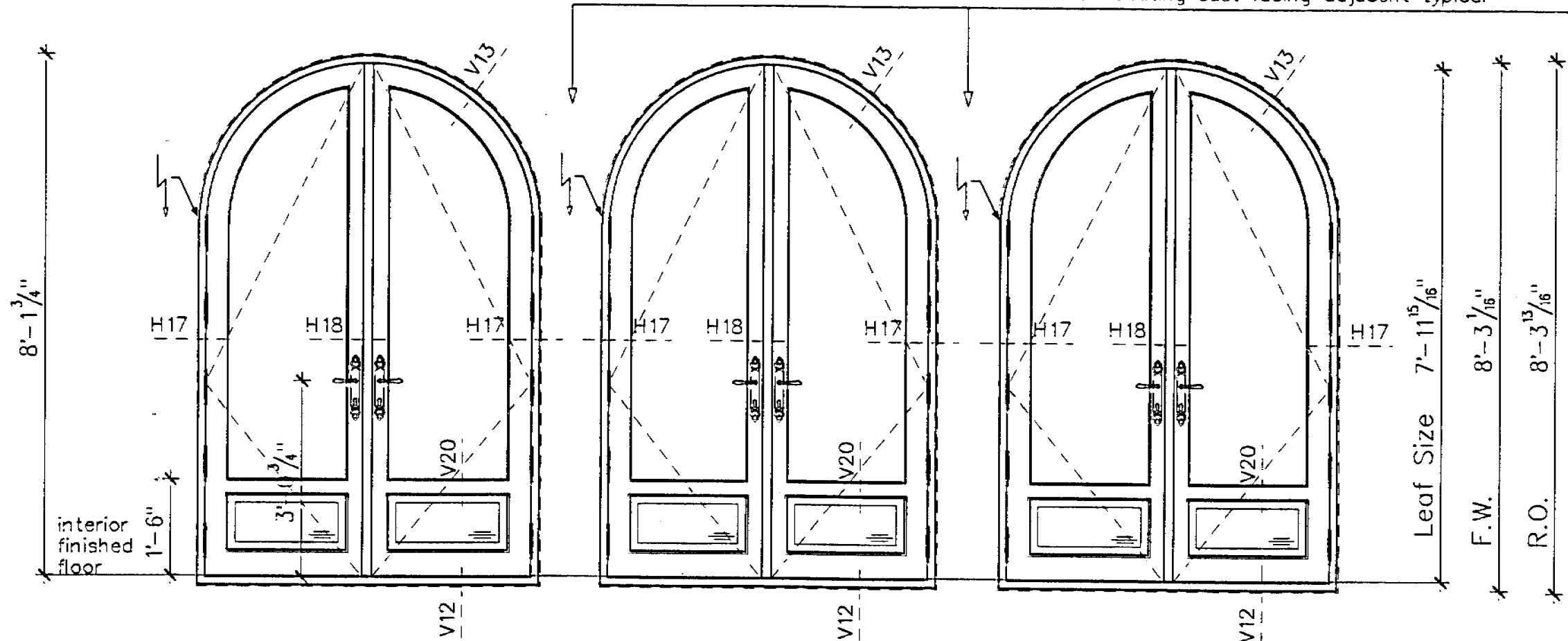
GAINOR RESIDENCE
 5800 North Bay Road
 Miami Beach, Florida

Mr. Greg Shirley
HANDCRAFT CONSTRUCTION
 7610 N.W. 6th AVENUE
 BOCA RATON, FLORIDA 33487
 Tel: (561) 241-9911

Document No.:
Drawn by: A. SAUER File: 12.s12
Date: 02/01/2006 Revised: 05/29/2006
Revised: 06/16/2006
Scale: none Page 12 of 55

Door: 2-3-4 (Type B)
 Qty.: 1 as shown
 Type: Double French Door with raised Panel
 outswing
 Glasstype: A
 Buck: vertical: no
 horizontal: no

new concrete column protect with new stucco return
 to match existing cast facing adjacent typical

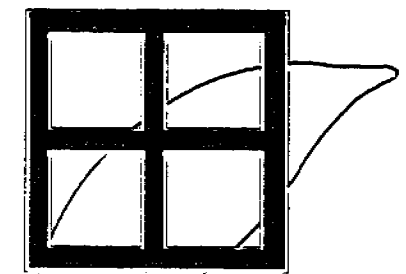


Leaf Size	5'-0 ³ / ₈ "	Leaf Size	5'-0 ³ / ₈ "	Leaf Size	5'-0 ³ / ₈ "
F.W.	5'-3 ³ / ₈ "	F.W.	5'-3 ³ / ₈ "	F.W.	5'-3 ³ / ₈ "
R.O.	5'-3 ⁷ / ₈ "	R.O.	5'-3 ⁷ / ₈ "	R.O.	5'-3 ⁷ / ₈ "



Qty.:	Location:
1	Mark's Office

PEETZ
 WINDOWS AND DOORS



Administration
 Peetz Windows and Doors, Inc.
 Phone 305-885-0291
 Fax 305-889-2063
 5783 S.W. 40 Street, PMB220
 Miami, FL 33155
 Info@peetzwindows.com

Sales
 Eva Marie Leon
 Phone 954-812-6777
 Fax 954-385-3371
 1579 Victoria Isle Way
 Weston, FL 33327
 eva@peetzwindows.com
 www.peetzwindows.com

**DOOR
 ELEVATION**

American Series
 view from exterior

GAINOR RESIDENCE
 5800 North Bay Road
 Miami Beach, Florida

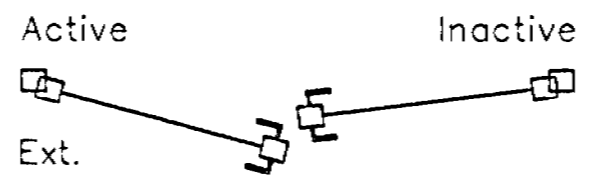
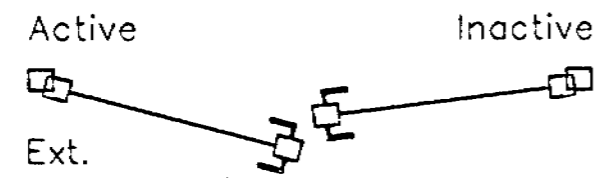
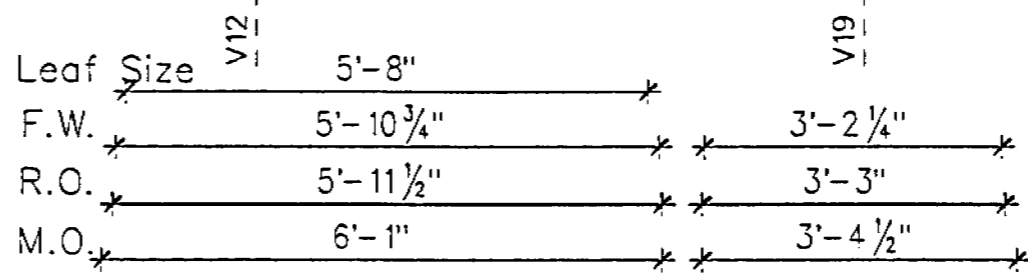
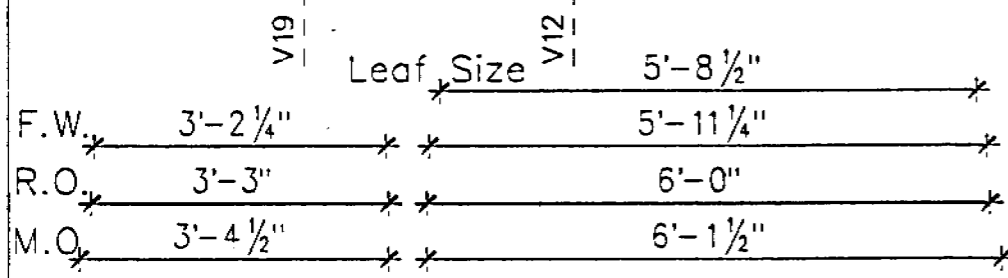
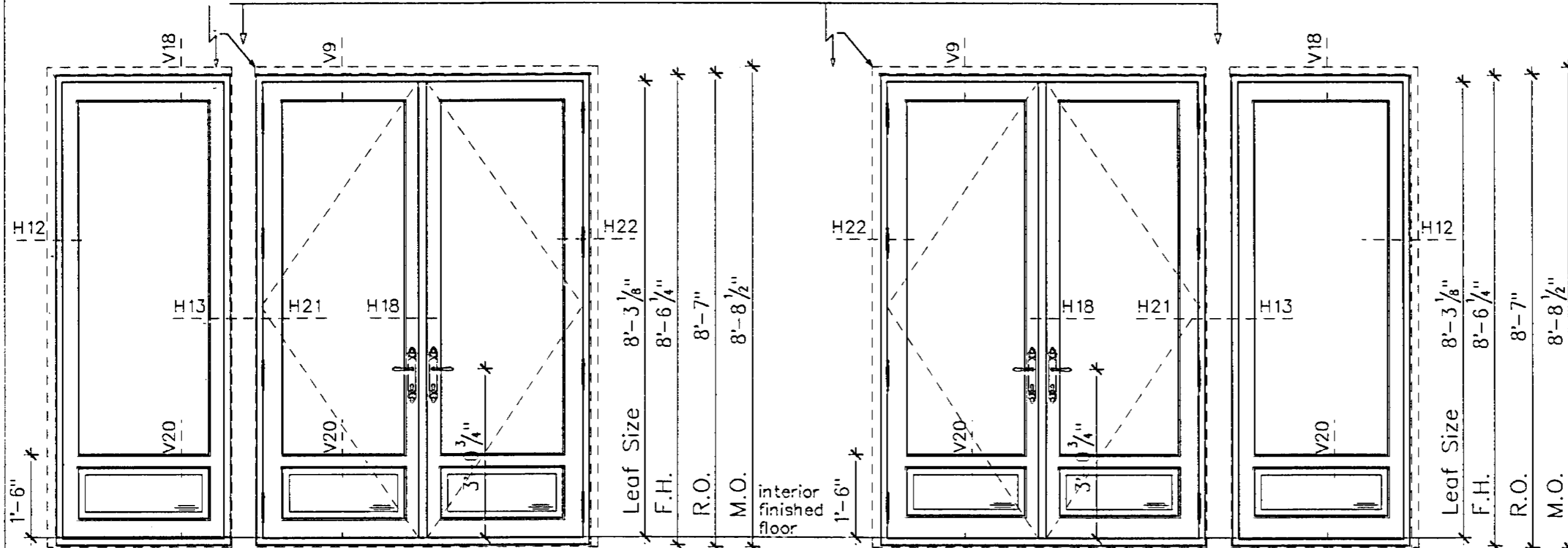
Mr. Greg Shirley
 HANDCRAFT CONSTRUCTION
 7610 N.W. 6th AVENUE
 BOCA RATON, FLORIDA 33487
 Tel: (561) 241-9911

Document No.:	
Drawn by: A. SAUER	File: 13.s12
Date: 02/01/2006	Revised: 05/29/2006
	Revised: 05/16/2006
Scale: none	Page 13 of 55

Door: D-5 (Type 4 and C)
 Qty.: 1 as shown
 Type: Double French Door outswing and Fixed Casement
 Glasstype: A
 Buck: vertical: 2" x 6" at CMU-Wall
 no buck at steel column
 horizontal: 2" x 6" at head

Door: 7-D (Type C and 4)
 Qty.: 1 as shown
 Type: Double French Door outswing and Fixed Casement
 Glasstype: A
 Buck: vertical: 2" x 6" at CMU-Wall
 no buck at steel column
 horizontal: 2" x 6" at head

new steel column 4"x4" (structure by others)
 with solid wood jamb extension interior and exterior
 (wrapped by Peetz in mahogany)

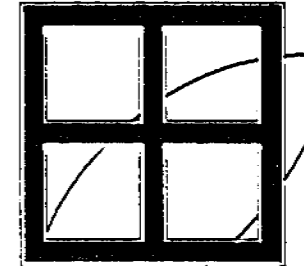


Qty.:	Location:
1	Living Room

Qty.:	Location:
1	Living Room

PEETZ

WINDOWS AND DOORS



Administration
 Peetz Windows and Doors, Inc.
 Phone 305-665-0291
 Fax 305-669-2063
 5793 S.W.40 Street, PMB220
 Miami, FL 33155
 info@peetzwindows.com

Sales
 Eva Marie Leon
 Phone 954-612-8777
 Fax 954-385-3371
 1579 Victoria Isle Way
 Weston, FL 33327
 eva@peetzwindows.com

www.peetzwindows.com

DOOR ELEVATION

American Series
 view from exterior

GAINOR RESIDENCE
 5800 North Bay Road
 Miami Beach, Florida

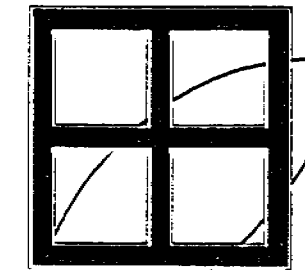
Mr. Greg Shirley
 HANDCRAFT CONSTRUCTION
 7610 N.W. 6th AVENUE
 BOCA RATON, FLORIDA 33487
 Tel: (561) 241-9911

Document No.:	
Drawn by: A. SAUER	File: 14.s12
Date: 02/01/2006	Revised: 05/29/2006
	Revised: 05/16/2006
Scale: none	Page 14 of 55

Door: D-6-D
 Qty.: 1 as shown
 Type: Double French Door outswing and Fixed Casement with raised Panel
 Glasstype: A
 Buck: vertical: 2" x 6" at CMU-Wall/concrete column
 no buck at steel column and at wood truss
 horizontal: 2" x 6" at head

PEETZ

WINDOWS AND DOORS

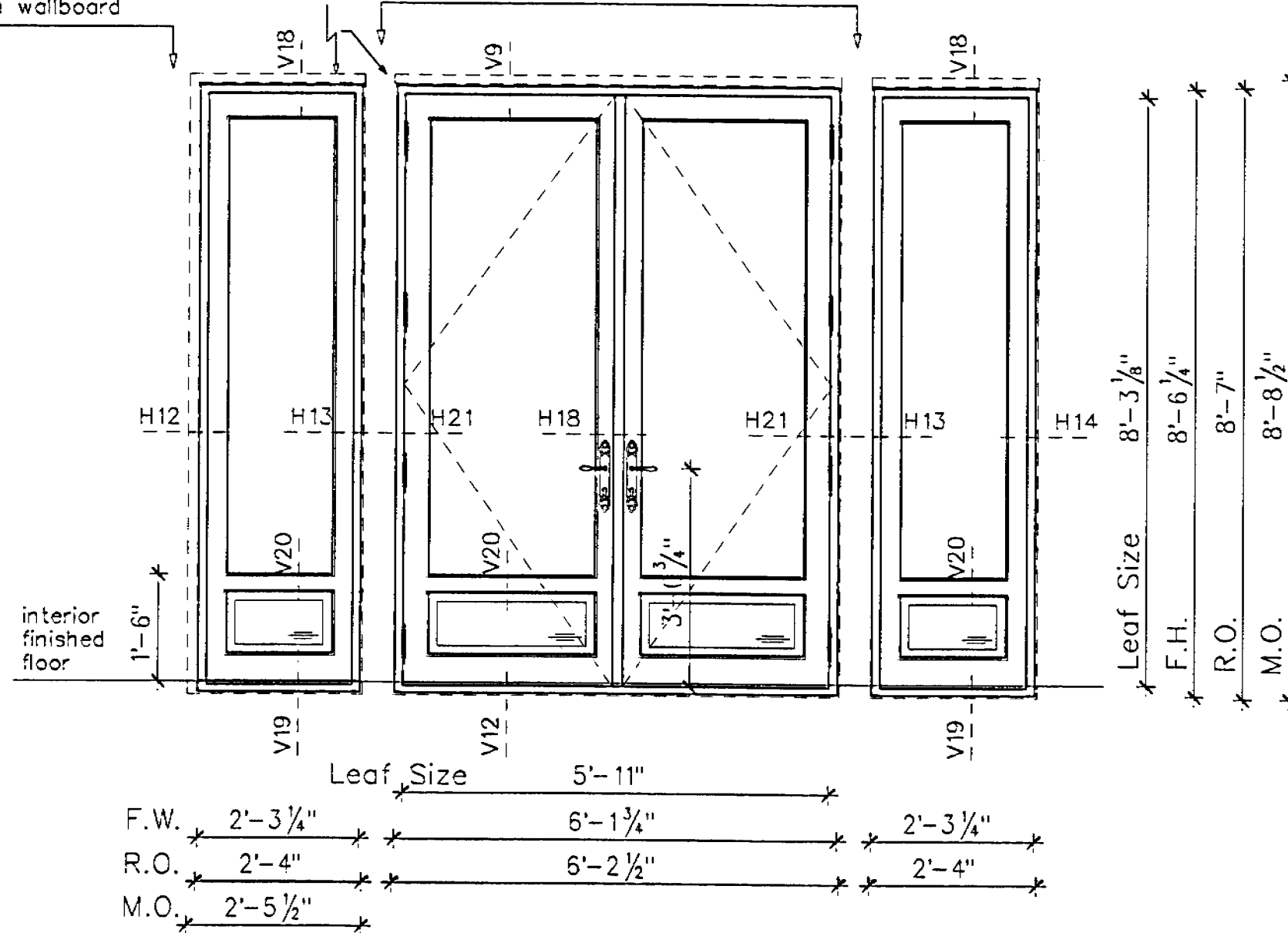


Administration
 Peetz Windows and Doors, Inc.
 Phone 305-665-0291
 Fax 305-669-2063
 5783 S.W. 40 Street, PMB220
 Miami, FL 33155
 Info@peetzwindows.com

Sales
 Eva Marie Leorn
 Phone 354-612-6777
 Fax 354-385-0371
 1579 Victoria Isle Way
 Weston, FL 33327
 eva@peetzwindows.com
 www.peetzwindows.com

new concrete column with new exterior stucco finish and interior new gypsum wallboard

new steel column 4"x4" (structure by others) with solid wood jamb extension interior and exterior (wrapped by Peetz in mahogany)



Leaf Size 8'-3 1/8"
 F.H. 8'-6 1/4"
 R.O. 8'-7"
 M.O. 8'-8 1/2"

Leaf Size 5'-11"
 F.W. 2'-3 1/4"
 R.O. 2'-4"
 M.O. 2'-5 1/2"
 6'-1 3/4"
 6'-2 1/2"
 2'-3 1/4"
 2'-4"



Qty.:	Location:
1	Living Room

DOOR ELEVATION

American Series
 view from exterior

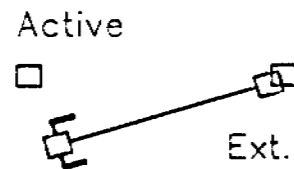
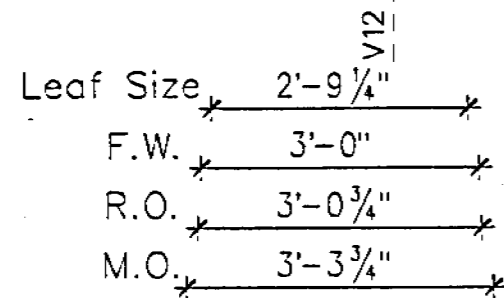
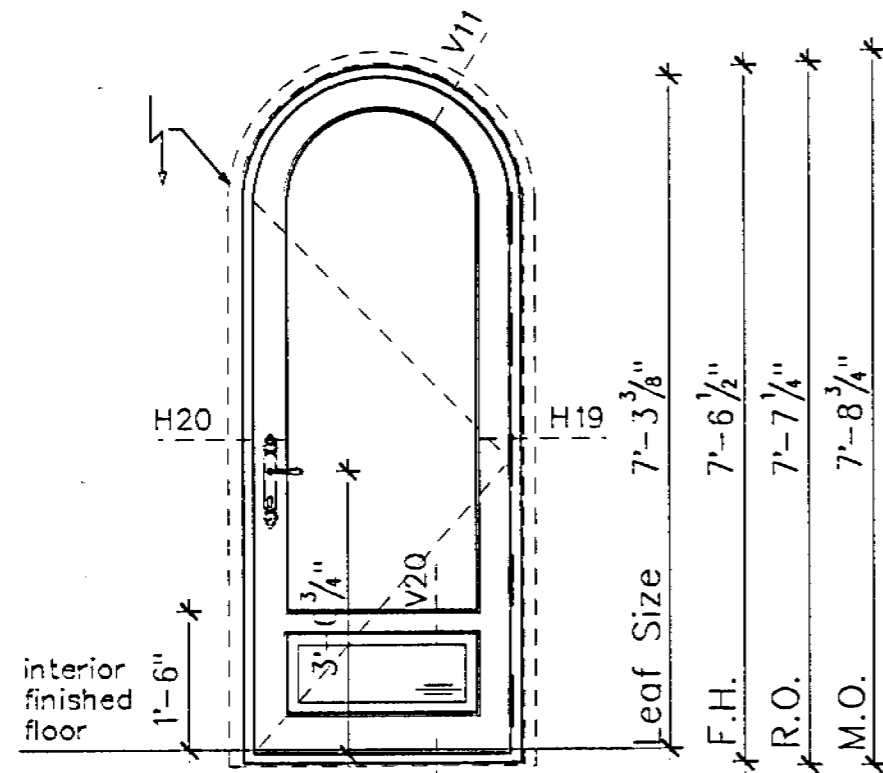
GAINOR RESIDENCE
 5800 North Bay Road
 Miami Beach, Florida

Mr. Greg Shirley
 HANDCRAFT CONSTRUCTION
 7610 N.W. 6th AVENUE
 BOCA RATON, FLORIDA 33487
 Tel: (561) 241-9911

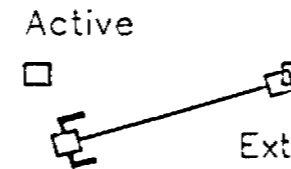
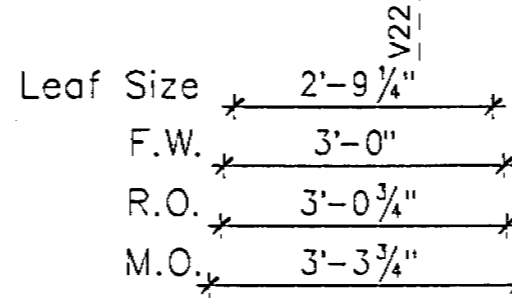
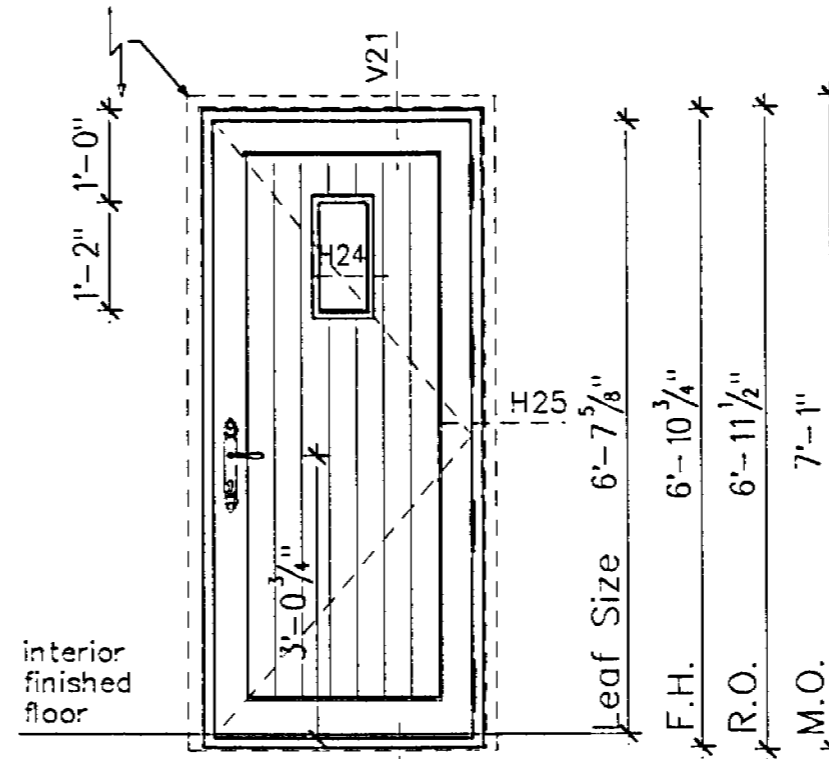
Document No.:	
Drawn by: A. SAUER	File: 15.s12
Date: 02/01/2006	Revised: 05/29/2006
	Revised: 06/16/2006
Scale: none	Page 15 of 55

Door: 7A (Type D1)
 Qty: 1
 Type: Single French Door with raised Panel
 outswing
 Glasstype: A
 Buck: vertical: 2" x 6"
 horizontal: 2" x 6" at head

Door: 7B (Type J)
 Qty: 1
 Type: Single Wood Door
 outswing
 Glasstype: K
 Buck: vertical: 2" x 6"
 horizontal: 2" x 6" at head

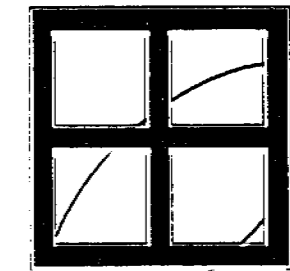


Qty.	Location:
1	Breakfast Room



Qty.	Location:
1	Storage Room

PEETZ
 WINDOWS AND DOORS



Administration
 Peetz Windows and Doors, Inc.
 Phone 305-665-0291
 Fax 305-669-2063
 5783 S.W.40 Street, PMB220
 Miami, FL 33155
 info@peetzwindows.com

Sales
 Eva Maria Leon
 Phone 304-612-6777
 Fax 304-385-3371
 1579 Victoria Isle Way
 Weston, FL 33327
 eva@peetzwindows.com
 www.peetzwindows.com

DOOR
 ELEVATION
 American Series
 view from exterior

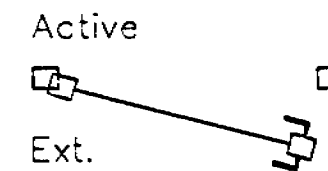
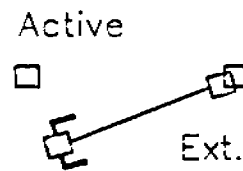
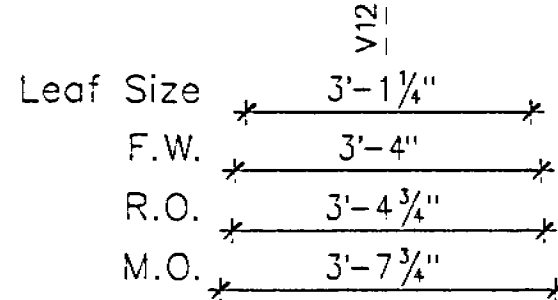
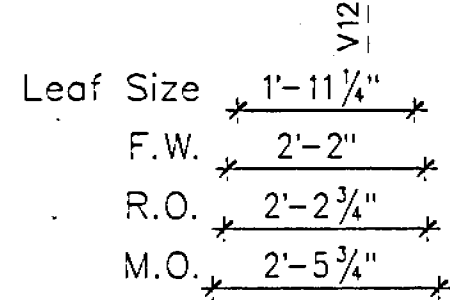
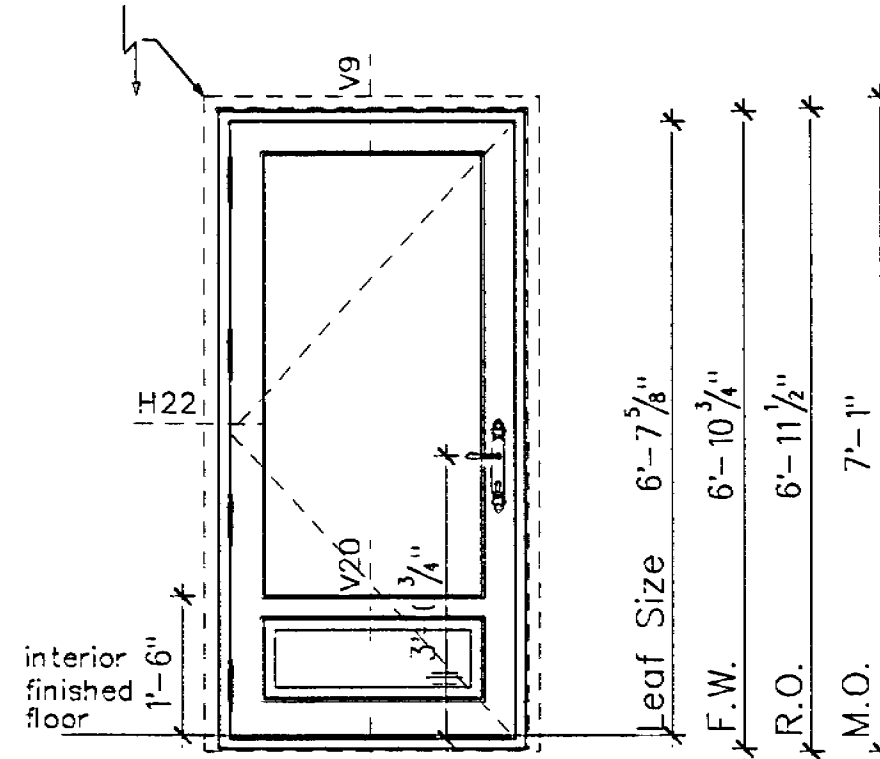
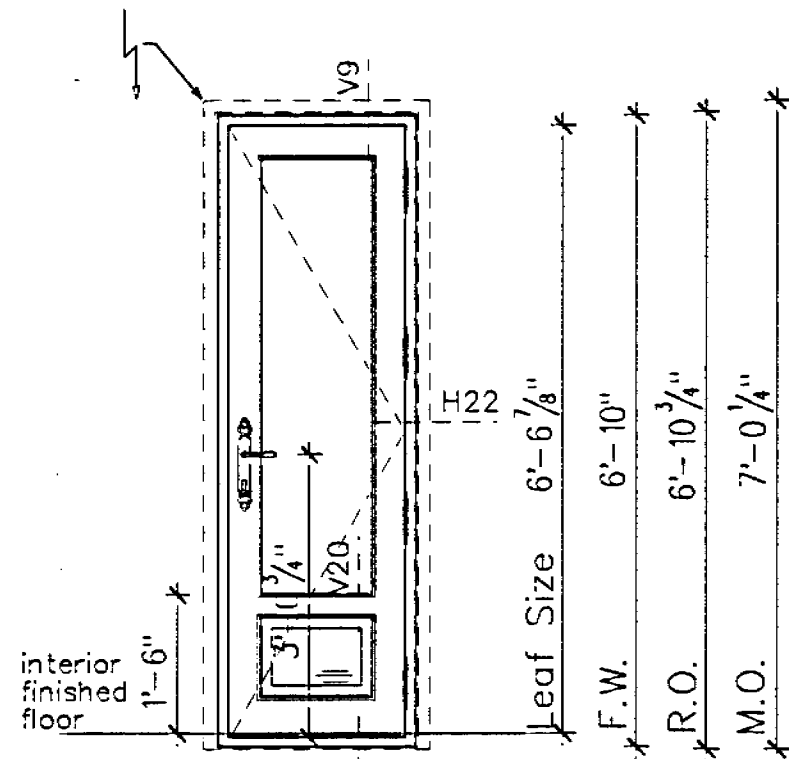
GAINOR RESIDENCE
 5800 North Bay Road
 Miami Beach, Florida

Mr. Greg Shirley
 HANDCRAFT CONSTRUCTION
 7610 N.W. 6th AVENUE
 BOCA RATON, FLORIDA 33487
 Tel: (561) 241-9911

Document No.:	
Drawn by: A. SAUER	File: 15.s12
Date: 02/01/2006	Revised: 05/29/2006
	Revised: 06/15/2006
Scale: none	Page 16 of 55

Door: 8 (Type D)
 Qty.: 1
 Type: Single French Door with raised Panel outswing
 Glasstype: A
 Buck: vertical: 2" x 6"
 horizontal: 2" x 6" at head

Door: 9 (Type D)
 Qty.: 1
 Type: Single French Door with raised Panel outswing
 Glasstype: A
 Buck: vertical: 2" x 6"
 horizontal: 2" x 6" at head

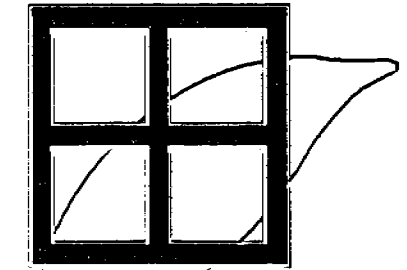


Qty.:	Location:
1	Service Stairs

Qty.:	Location:
1	Laundry Bedroom

PEETZ

WINDOWS AND DOORS



Administration
 Peetz Windows and Doors, Inc.
 Phone 305-665-0291
 Fax 305-669-2063
 5783 S.W. 40 Street, PMB220
 Miami, FL 33155
 info@peetzwindows.com

Sales
 Eva Marie Leon
 Phone 305-481-6777
 Fax 305-485-3371
 1579 Victoria Isle Way
 Weston, FL 33327
 eva@peetzwindows.com

www.peetzwindows.com

DOOR ELEVATION

American Series
 view from exterior

GAINOR RESIDENCE
 5800 North Bay Road
 Miami Beach, Florida

Mr. Greg Shirley
 HANDCRAFT CONSTRUCTION
 7610 N.W. 6th AVENUE
 BOCA RATON, FLORIDA 33487
 Tel: (561) 241-9911

Document No.:	
Drawn by: A. SAUER	File: 17.s12
Date: 02/01/2006	Revised: 05/29/2006
	Revised: 06/16/2006
Scale: none	Page 17 of 55

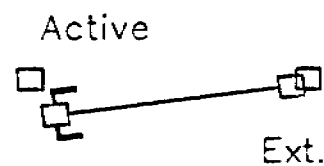
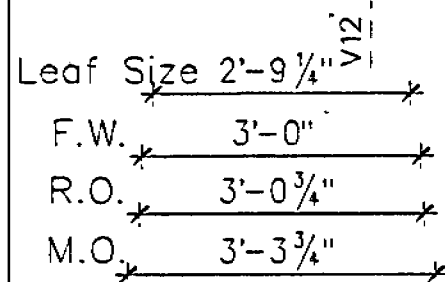
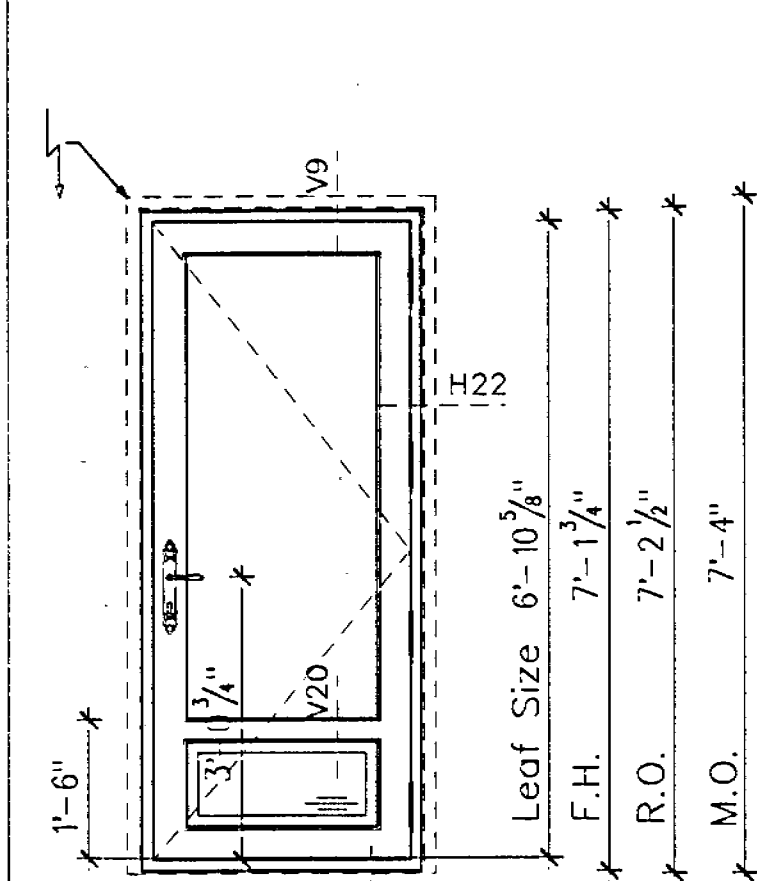
Door: 10 (Type D)
 Qty.: 1
 Type: Single French Door with raised Panel outswing
 Glasstype: A
 Buck: vertical: 2" x 6"
 horizontal: 2" x 6" at head

Door: 42 (Type E)
 Qty.: 1
 Type: Double French Door with raised Panel outswing
 Glasstype: A
 Buck: vertical: 2" x 6"
 horizontal: 2" x 6" at head

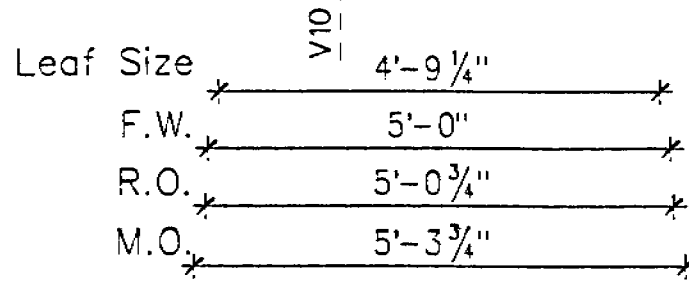
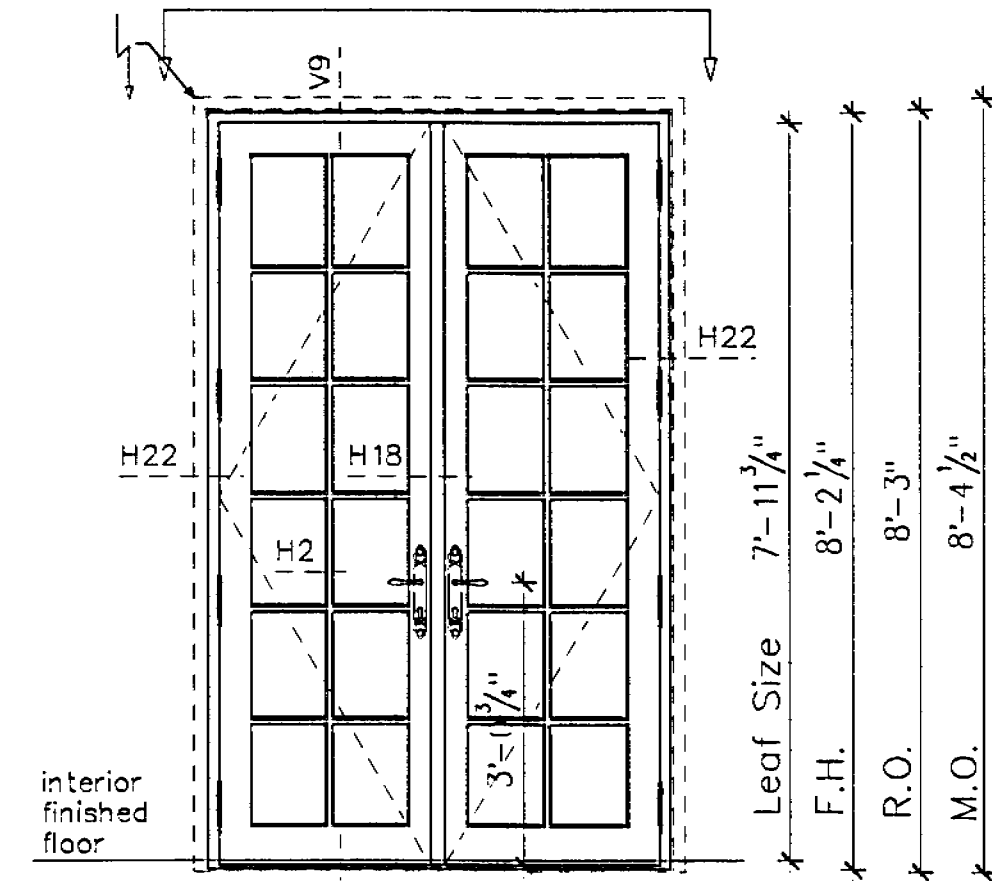
Door: 46 (Type G)
 Qty.: 1
 Type: Single French Door with raised Panel outswing
 Glasstype: A
 Buck: vertical: no
 horizontal: 2" x 6" at head

Note: Please check floor section. This door is located in 1st floor and not in 2nd floor. In 1st floor we usually use V12.

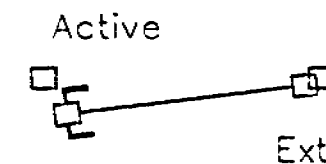
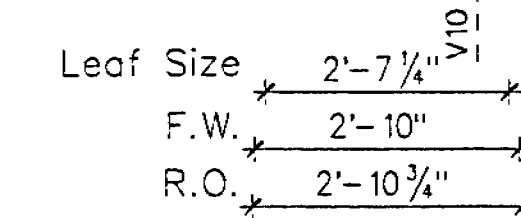
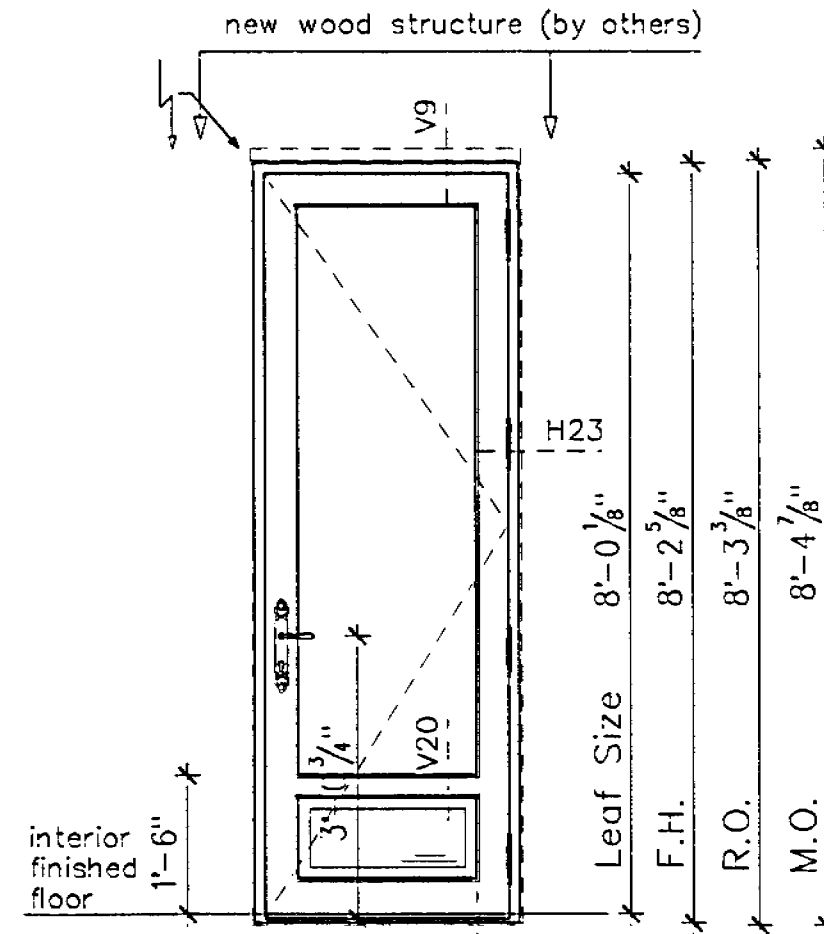
new concrete column with new exterior stucco finish and interior new gypsum wallboard



Qty.:	Location:
1	Guest Bedroom



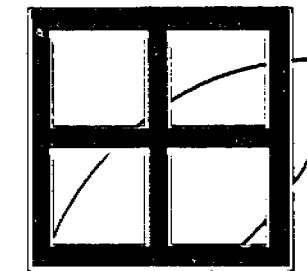
Qty.:	Location:
1	Bryan's Bedroom



Qty.:	Location:
1	Elyse's Office

PEETZ

WINDOWS AND DOORS



Administration
 Peetz Windows and Doors, Inc.
 Phone 305-665-0291
 Fax 305-669-2063
 5783 S.W. 40 Street, PMB220
 Miami, FL 33155
 info@peetzwindows.com

Sales
 Eva Maria Leon
 Phone 305-612-6777
 Fax 305-385-3371
 1579 Victoria Isle Way
 Weston, FL 33327
 eva@peetzwindows.com
 www.peetzwindows.com

DOOR ELEVATION

American Series
 view from exterior

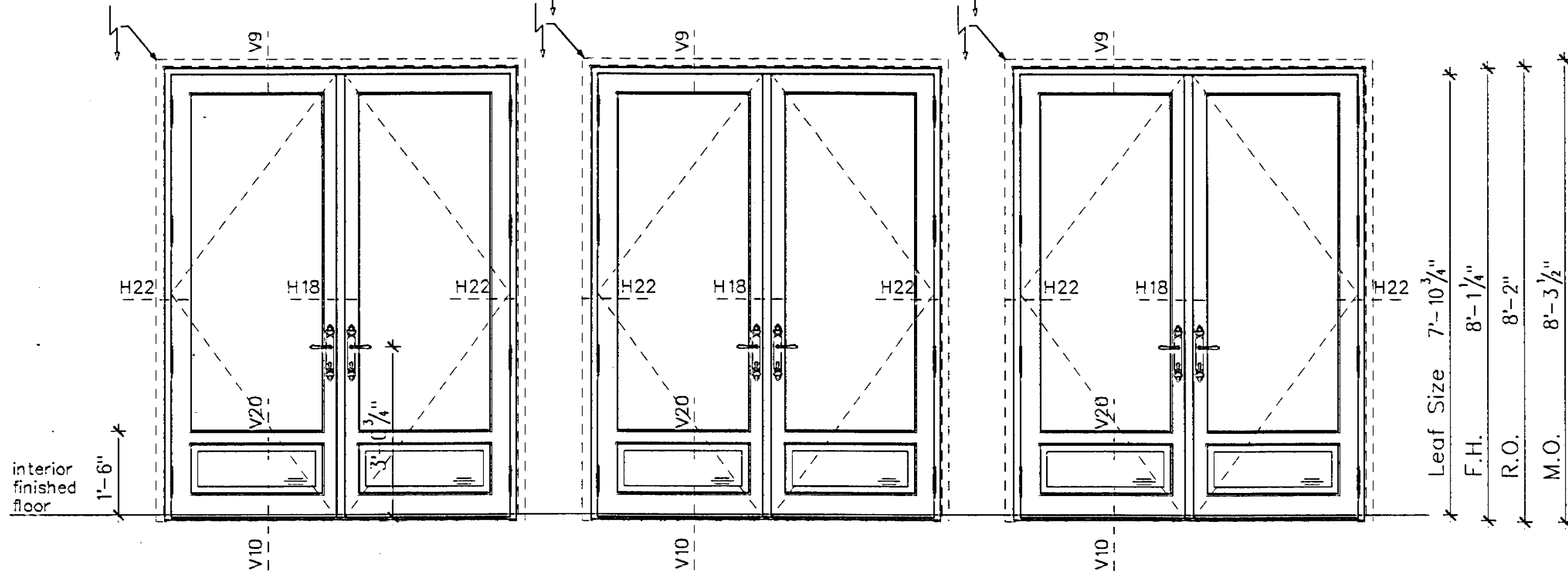
GAINOR RESIDENCE
 5800 North Bay Road
 Miami Beach, Florida

Mr. Greg Shirley
 HANDCRAFT CONSTRUCTION
 7610 N.W. 6th AVENUE
 BOCA RATON, FLORIDA 33487
 Tel: (561) 241-9911

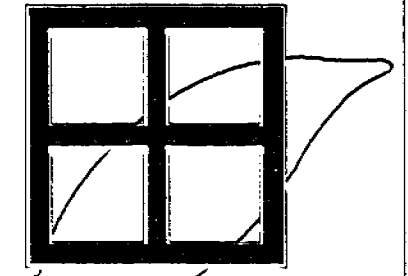
Document No.:	
Drawn by: A. SAUER	File: 18.s12
Date: 02/01/2006	Revised: 05/29/2006
	Revised: 06/16/2006
Scale: none	Page 18 of 55

Door: 43-44-45 (Type F)
 Qty.: 1 as shown
 Type: Double French Door with raised Panel
 outswing
 Glasstype: A
 Buck: vertical: 2" x 6"
 horizontal: 2" x 6" at head

new concrete column with new exterior stucco finish
 and interior new gypsum wallboard



PEETZ
 WINDOWS AND DOORS



Administration
 Peetz Windows and Doors, Inc.
 Phone 305-885-0291
 Fax 305-889-2083
 5783 S.W.40 Street, PMB220
 Miami, FL 33155
 info@peetzwindows.com

Sales
 Eva Marie Leon
 Phone 954-812-6777
 Fax 954-385-3371
 1579 Victoria Isle Way
 Weston, FL 33327
 eva@peetzwindows.com
 www.peetzwindows.com

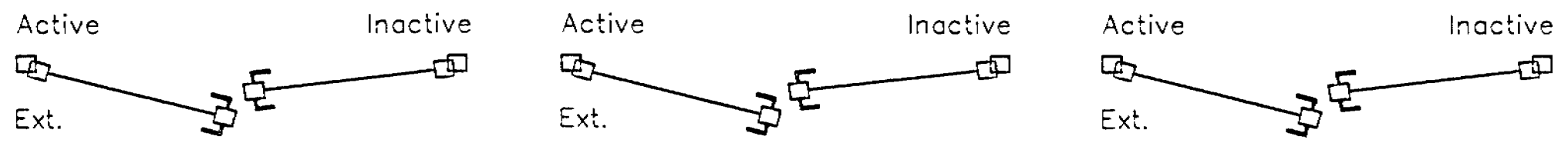
DOOR
 ELEVATION
 American Series
 view from exterior

GAINOR RESIDENCE
 5800 North Bay Road
 Miami Beach, Florida

Mr. Greg Shirley
 HANDCRAFT CONSTRUCTION
 7610 N.W. 6th AVENUE
 BOCA RATON, FLORIDA 33487
 Tel: (561) 241-9911

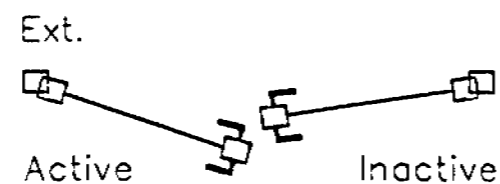
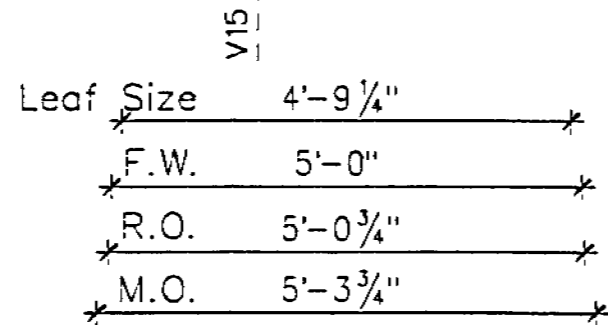
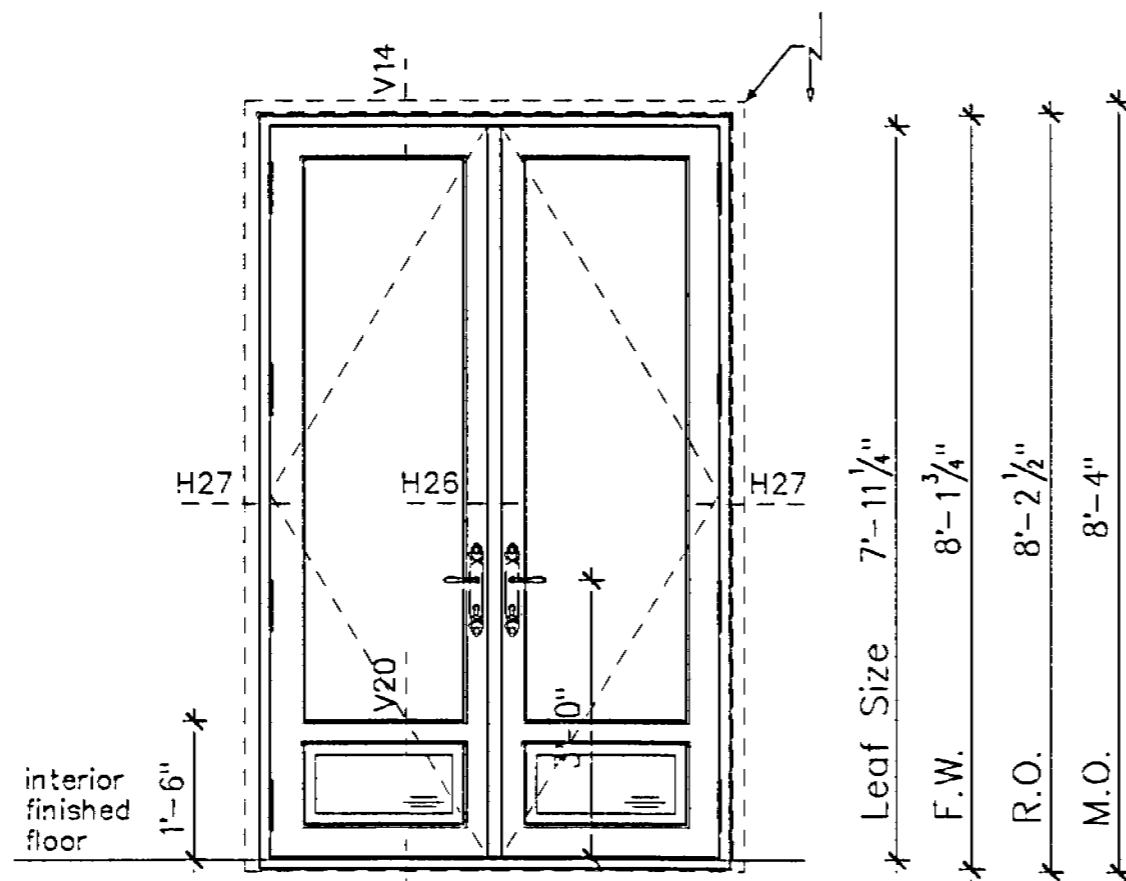
Document No.:
 Drawn by: A. SAUER File: 19.s12
 Date: 02/01/2006 Revised: 05/29/2006
 Revised: 05/16/2006
 Scale: none Page 19 of 55

Leaf Size	6'-0 1/4"	Leaf Size	6'-0 1/4"	Leaf Size	6'-0 1/4"
F.W.	6'-3"	F.W.	6'-3"	F.W.	6'-3"
R.O.	6'-3 3/4"	R.O.	6'-3 3/4"	R.O.	6'-3 3/4"
M.O.	6'-6 3/4"	M.O.	6'-6 3/4"	M.O.	6'-6 3/4"



Qty.:	Location:
1	Master Bedroom

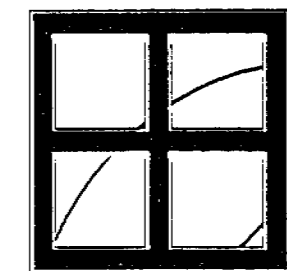
Door: 47 (Type E)
 Qty.: 1
 Type: Double French Door with raised Panel inswing
 Glasstype: A
 Buck: vertical: 2" x 6"
 horizontal: 2" x 6" at head



Qty.: | Location:
 1 | Elyse's Closet

PEETZ

WINDOWS AND DOORS



Administration
 Peetz Windows and Doors, Inc.
 Phone 305-665-0291
 Fax 305-669-2063
 5783 S.W.40 Street, PMB220
 Miami, FL 33155
 Info@peetzwindows.com

Sales
 Eva Marie Leon
 Phone 305-612-6777
 Fax 305-385-3374
 1579 Victoria Isle Way
 Weston, FL 33327
 eva@peetzwindows.com
 www.peetzwindows.com

DOOR ELEVATION

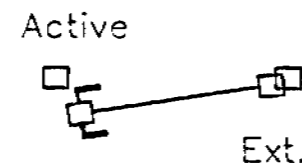
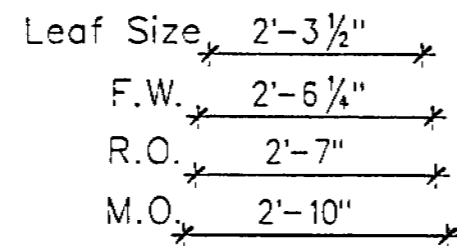
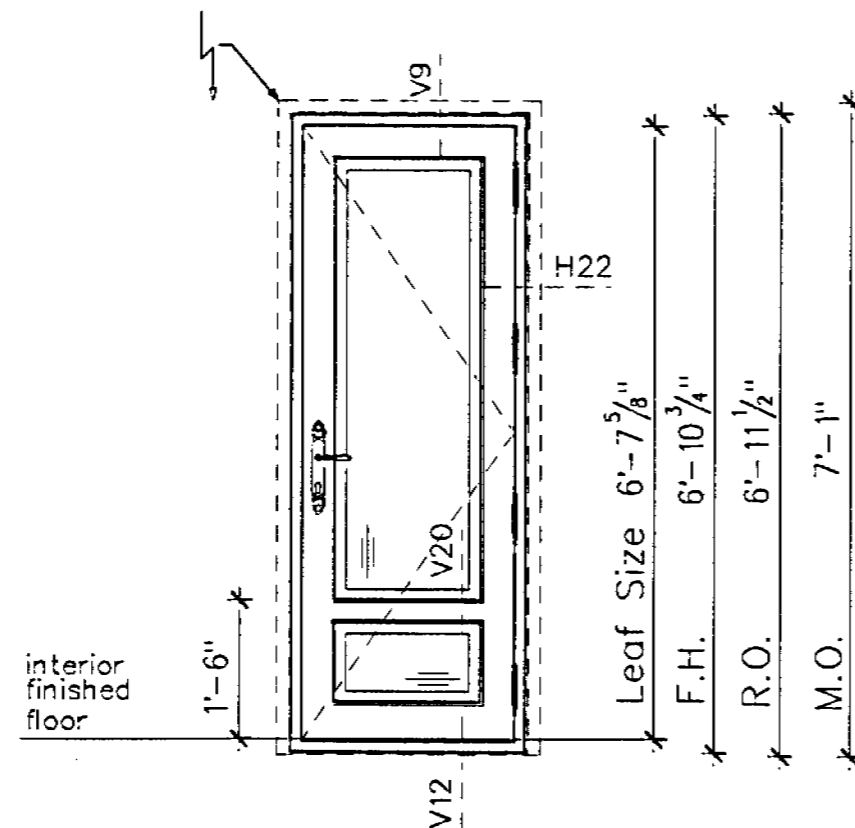
American Series
 view from interior

GAINOR RESIDENCE
 5800 North Bay Road
 Miami Beach, Florida

Mr. Greg Shirley
 HANDCRAFT CONSTRUCTION
 7610 N.W. 6th AVENUE
 BOCA RATON, FLORIDA 33487
 Tel: (561) 241-9911

Document No.:
 Drawn by: A. SAUER File: 20.s12
 Date: 02/01/2006 Revised: 05/29/2006
 Revised: 05/16/2006
 Scale: none Page 20 of 55

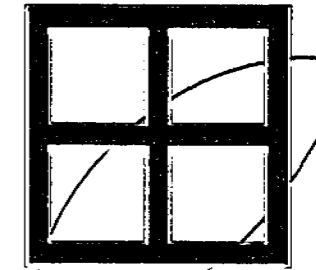
Door: 100
 Qty.: 1
 Type: Single French Door with raised Panel
 outswing
 Glasstype: A
 Buck: vertical: 2" x 6"
 horizontal: 2" x 6" at head



Qty.:	Location:
1	Garage

PEETZ

WINDOWS AND DOORS



Administration
 Peetz Windows and Doors, Inc.
 Phone 305-665-0291
 Fax 305-669-2063
 5783 S.W.40 Street, PMB220
 Miami, FL 33155
 info@peetzwindows.com

Sales
 Eva Marie Leon
 Phone 954-812-8777
 Fax 954-385-2371
 1579 Victoria Isle Way
 Weston, FL 33327
 eva@peetzwindows.com
 www.peetzwindows.com

DOOR ELEVATION

American Series
view from exterior

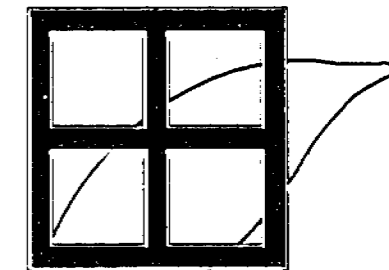
GAINOR RESIDENCE
 5800 North Bay Road
 Miami Beach, Florida

Mr. Greg Shirley
 HANDCRAFT CONSTRUCTION
 7610 N.W. 6th AVENUE
 BOCA RATON, FLORIDA 33487
 Tel: (561) 241-9911

Document No.:	
Drawn by: A. SAUER	File: 21.s12
Date: 02/01/2006	Revised: 05/29/2006
	Revised: 05/15/2006
Scale: none	Page 21 of 55

PEETZ

WINDOWS AND DOORS



Administration
 Peetz Windows and Doors, Inc.
 Phone 305-665-0291
 Fax 305-669-2063
 5783 S.W. 40 Street, PMB220
 Miami, FL 33155
 info@peetzwindows.com

Sales
 Eva Maria Leort
 Phone 954-612-6777
 Fax 954-385-3371
 1579 Victoria Isle Way
 Weston, FL 33327
 eva@peetzwindows.com

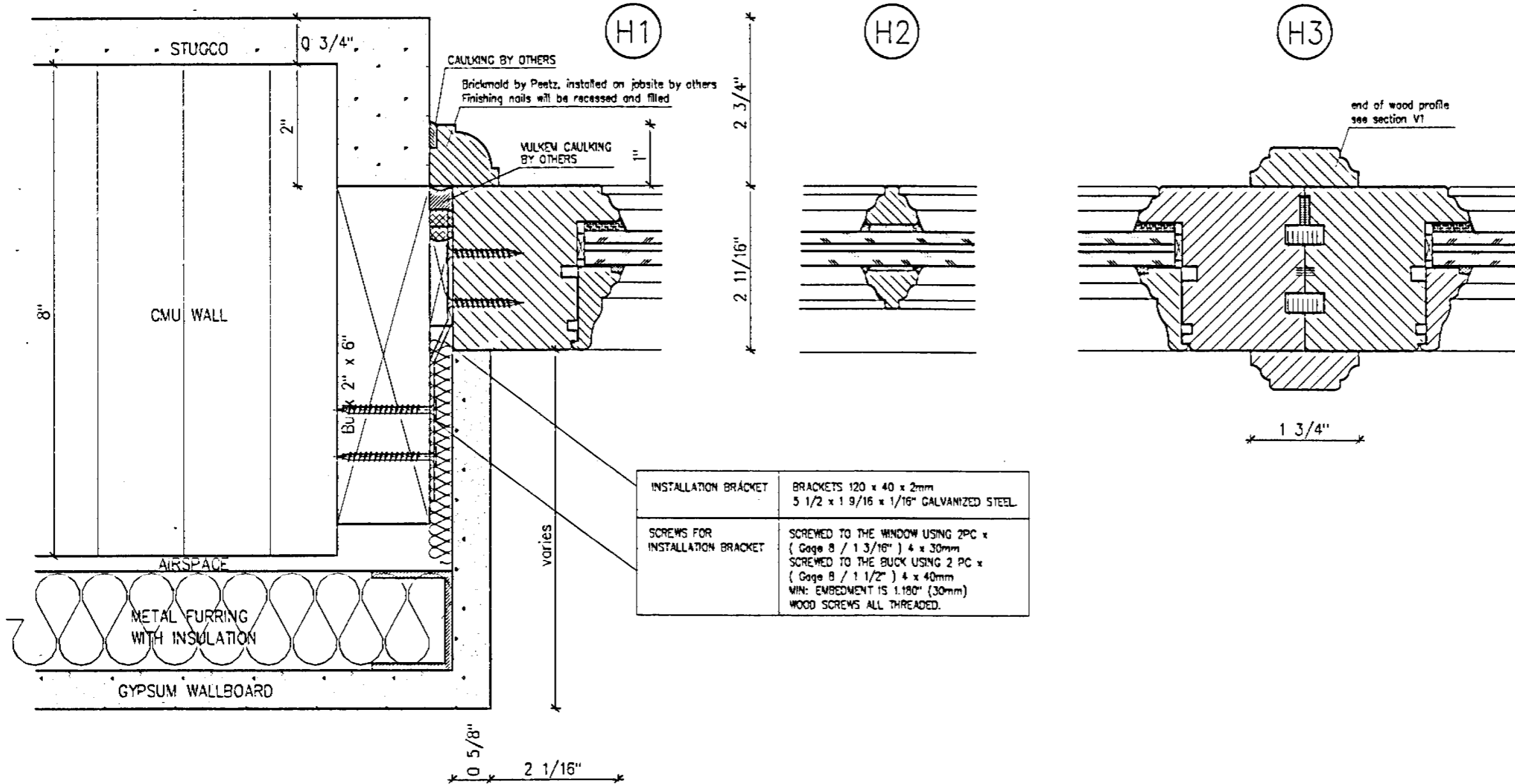
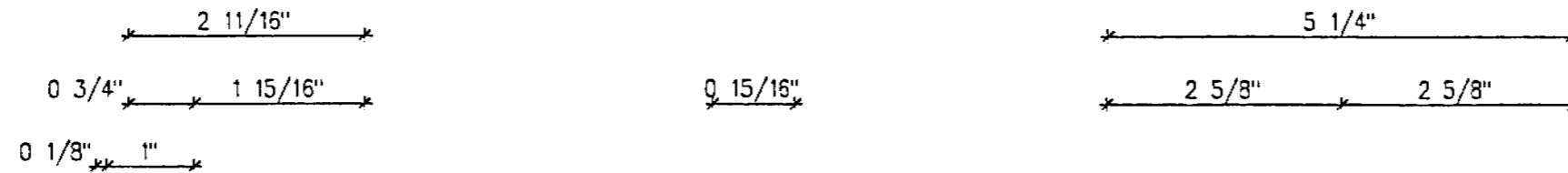
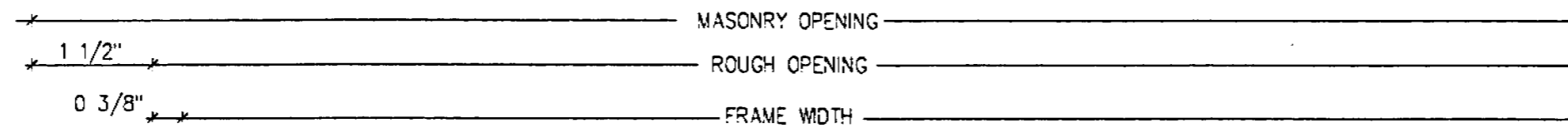
www.peetzwindows.com

Horizontal
 Direct Set Window
 H1 - H3

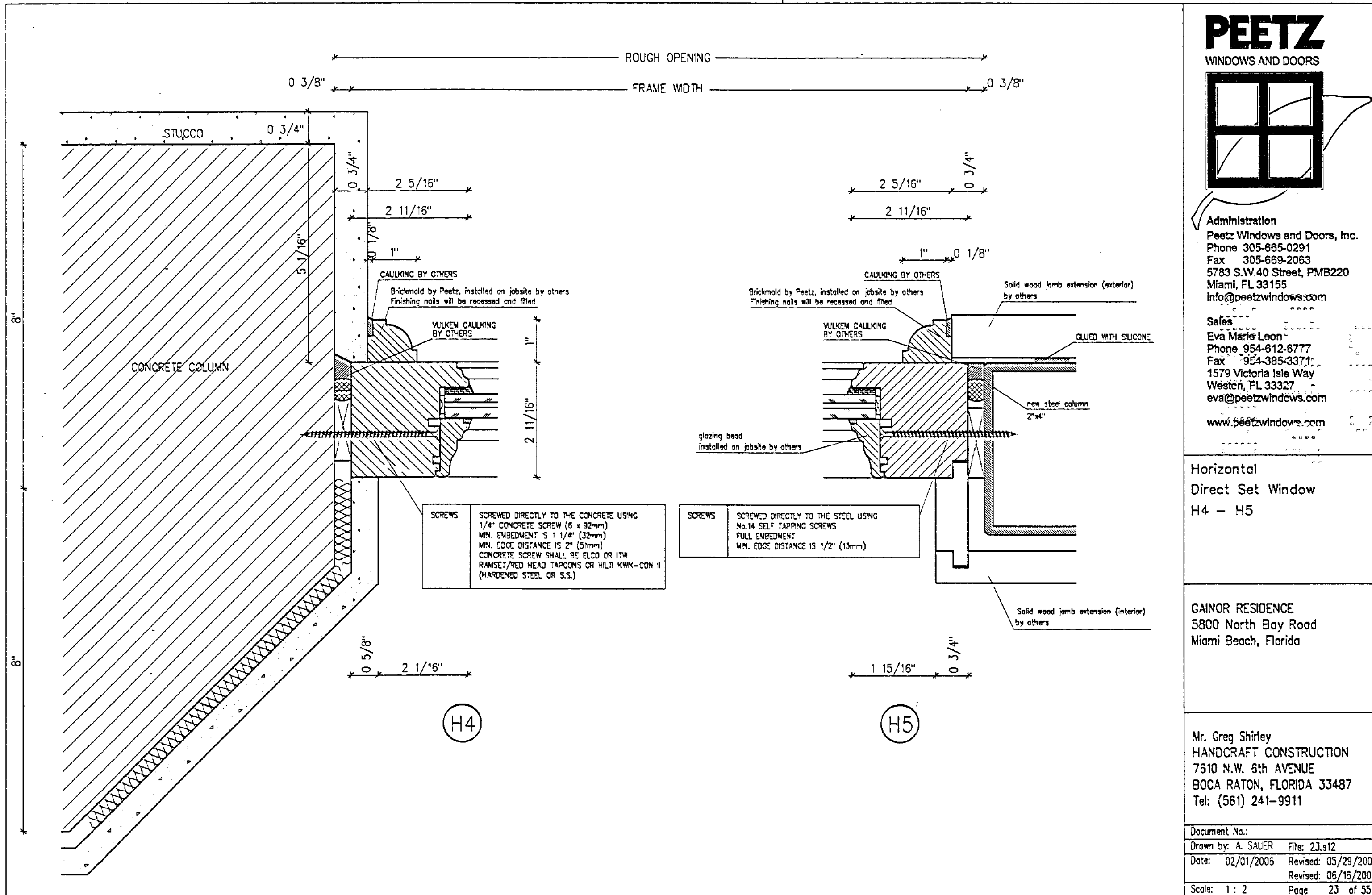
GAINOR RESIDENCE
 5800 North Bay Road
 Miami Beach, Florida

Mr. Greg Shirley
 HANDCRAFT CONSTRUCTION
 7610 N.W. 6th AVENUE
 BOCA RATON, FLORIDA 33487
 Tel: (561) 241-9911

Document No.:
 Drawn by: A. SAUER File: 22.st2
 Date: 02/01/2006 Revised: 05/29/2006
 Revised: 06/16/2006
 Scale: 1 : 2 Page 22 of 55

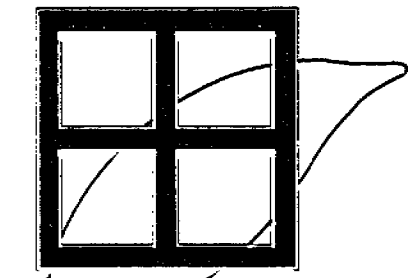


INSTALLATION BRACKET	BRACKETS 120 x 40 x 2mm 5 1/2 x 1 9/16 x 1/16" GALVANIZED STEEL
SCREWS FOR INSTALLATION BRACKET	SCREWED TO THE WINDOW USING 2PC x (Gage 8 / 1 3/16") 4 x 30mm SCREWED TO THE BUCK USING 2 PC x (Gage 8 / 1 1/2") 4 x 40mm WIN. EMBEDMENT IS 1.180" (30mm) WOOD SCREWS ALL THREADED.



PEETZ

WINDOWS AND DOORS



Administration
 Peetz Windows and Doors, Inc.
 Phone 305-665-0291
 Fax 305-669-2063
 5783 S.W.40 Street, PMB220
 Miami, FL 33155
 info@peetzwindows.com

Sales
 Eva Marie Leon
 Phone 954-612-8777
 Fax 954-385-3371
 1579 Victoria Isle Way
 Weston, FL 33327
 eva@peetzwindows.com
 www.peetzwindows.com

Horizontal Direct Set Window H4 - H5

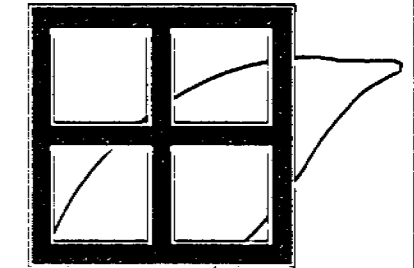
GAINOR RESIDENCE
 5800 North Bay Road
 Miami Beach, Florida

Mr. Greg Shirley
 HANDCRAFT CONSTRUCTION
 7610 N.W. 6th AVENUE
 BOCA RATON, FLORIDA 33487
 Tel: (561) 241-9911

Document No.:	
Drawn by: A. SAUER	File: 23.s12
Date: 02/01/2006	Revised: 05/29/2006
	Revised: 06/16/2006
Scale: 1 : 2	Page 23 of 55

PEETZ

WINDOWS AND DOORS



Administration

Peetz Windows and Doors, Inc.
 Phone 305-665-0291
 Fax 305-669-2063
 5783 S.W. 40 Street, PMB220
 Miami, FL 33155
 info@peetzwindows.com

Sales

Eva Marie Leoni
 Phone 354-812-6777
 Fax 354-385-3371
 1579 Victoria Isle Way
 Weston, FL 33327
 eva@peetzwindows.com
 www.peetzwindows.com

Horizontal
 Direct Set Window
 H6 - H7

GAINOR RESIDENCE
 5800 North Bay Road
 Miami Beach, Florida

Mr. Greg Shirley
 HANDCRAFT CONSTRUCTION
 7610 N.W. 6th AVENUE
 BOCA RATON, FLORIDA 33487
 Tel: (561) 241-9911

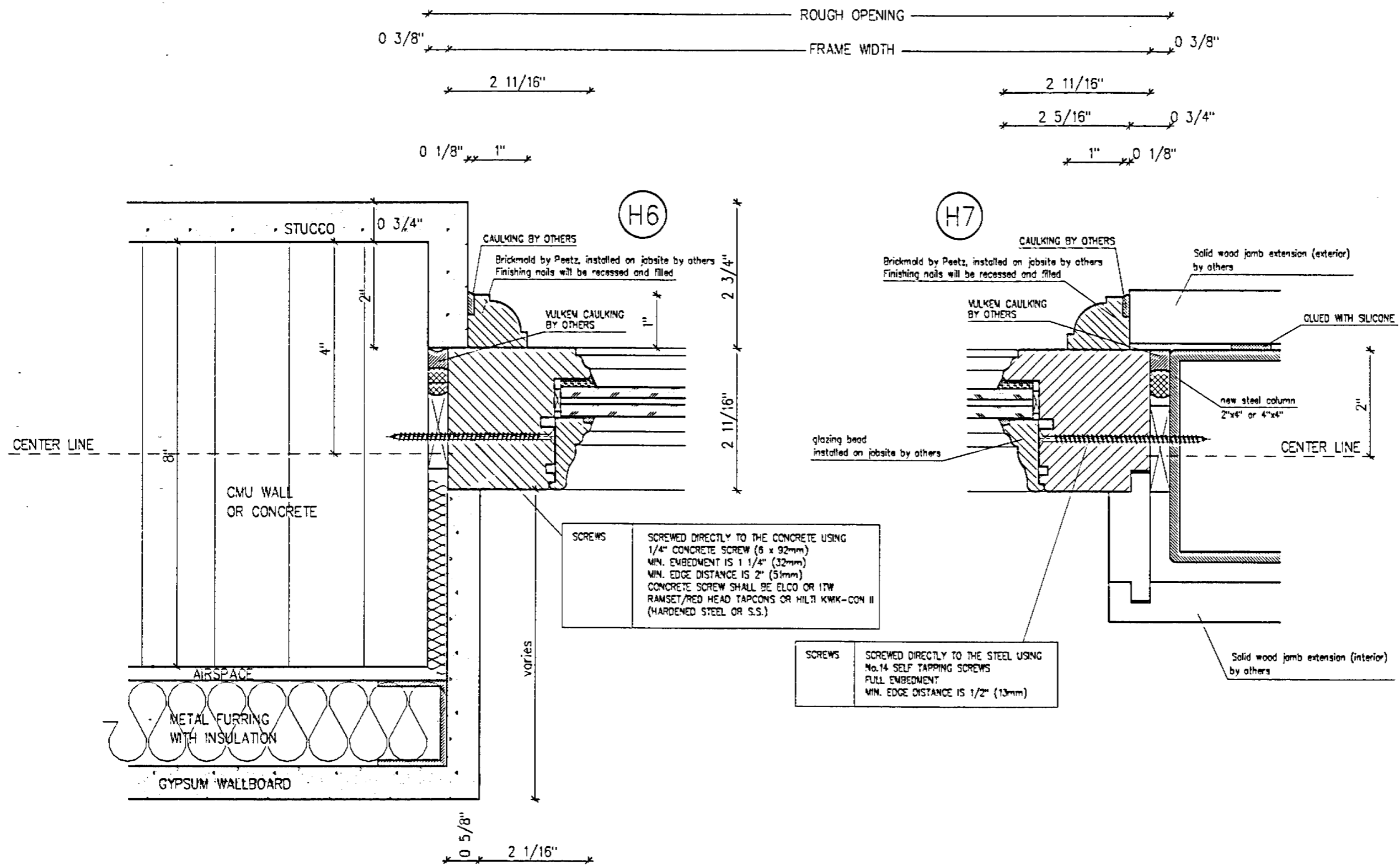
Document No.:

Drawn by: A. SAUER File: 24.s12

Date: 02/01/2005 Revised: 05/29/2006

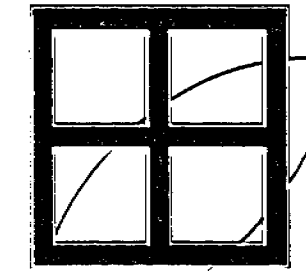
Revised: 06/16/2006

Scale: 1 : 2 Page 24 of 55



PEETZ

WINDOWS AND DOORS



Administration
 Peetz Windows and Doors, Inc.
 Phone 305-665-0291
 Fax 305-669-2063
 5783 S.W. 40 Street, PMB220
 Miami, FL 33155
 info@peetzwindows.com

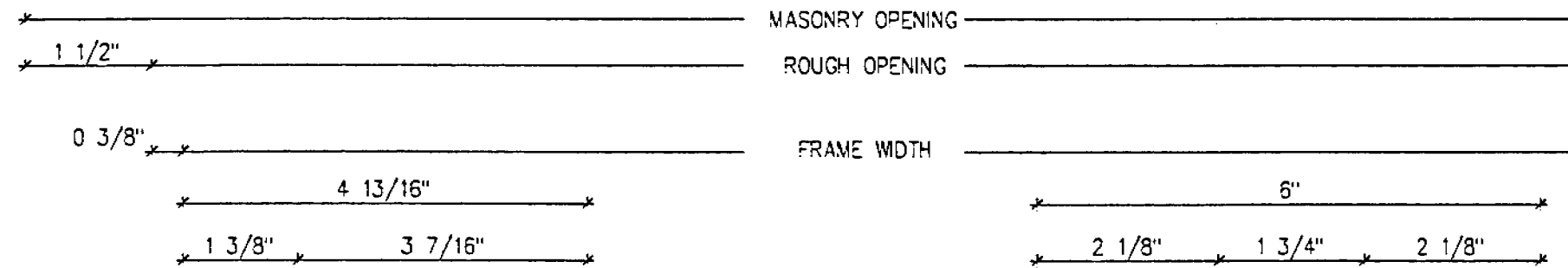
Sales
 Eva Maria Leon
 Phone 954-812-6777
 Fax 954-385-3371
 1579 Victoria Isle Way
 Weston, FL 33327
 eva@peetzwindows.com
 www.peetzwindows.com

Horizontal
 Casement Window
 H8 - H9

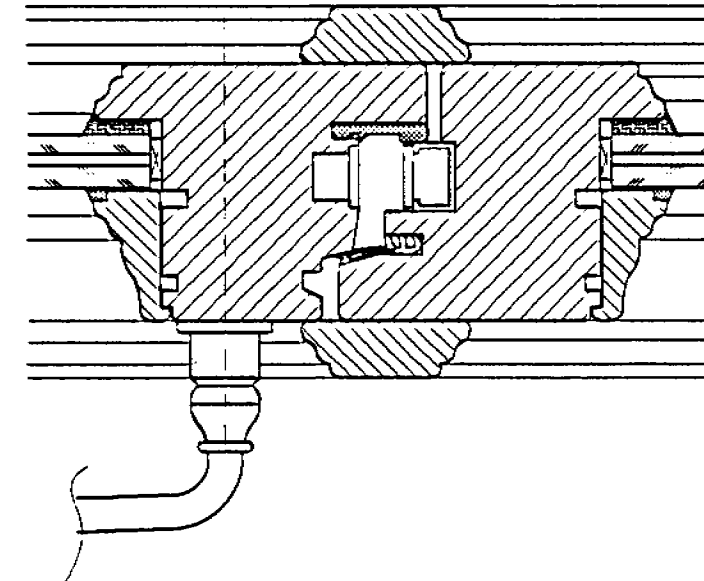
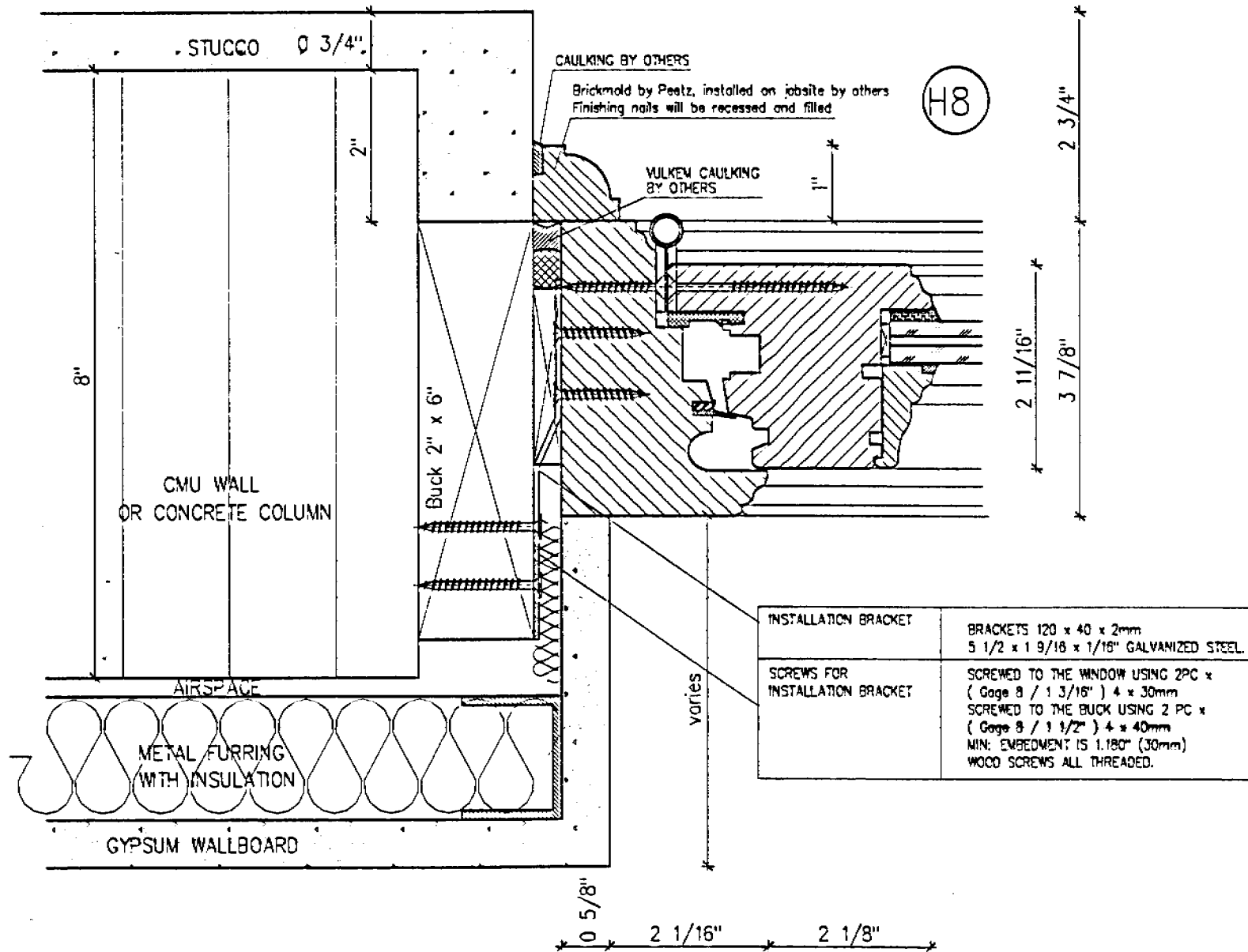
GAINOR RESIDENCE
 5800 North Bay Road
 Miami Beach, Florida

Mr. Greg Shirley
 HANDCRAFT CONSTRUCTION
 7610 N.W. 6th AVENUE
 BOCA RATON, FLORIDA 33487
 Tel: (561) 241-9911

Document No.:
 Drawn by: A. SAUER File: 25.s12
 Date: 02/01/2005 Revised: 05/29/2006
 Revised: 06/16/2006
 Scale: 1:2 Page 25 of 55

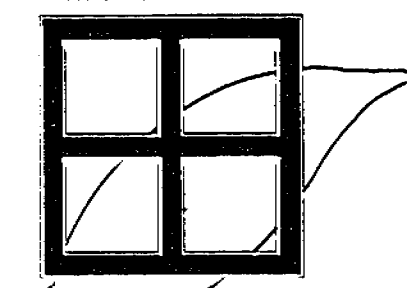


0 1/8" 1"



PEETZ

WINDOWS AND DOORS



Administration
 Peetz Windows and Doors, Inc.
 Phone 305-665-0291
 Fax 305-669-2063
 5783 S.W.40 Street, PMB220
 Miami, FL 33155
 Info@peetzwindows.com

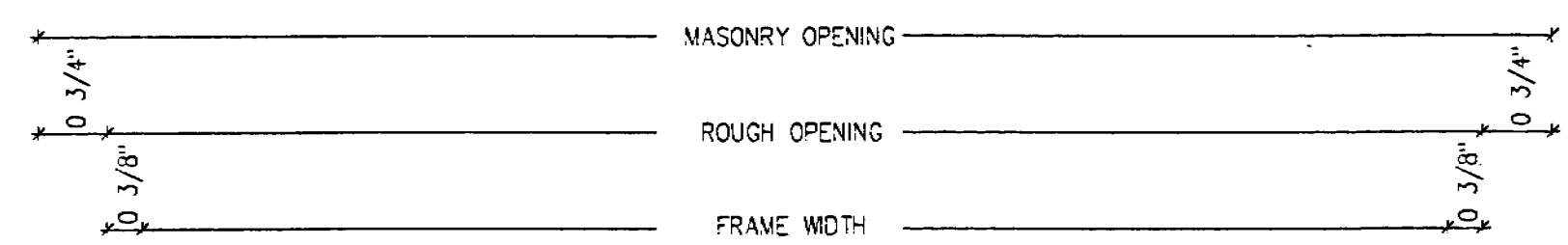
Sales
 Eva Marie Leort
 Phone 954-612-6777
 Fax 954-385-3371
 1579 Victoria Isle Way
 Weston, FL 33327
 eva@peetzwindows.com
 www.peetzwindows.com

Horizontal
 Casement Window
 H10 - H11

GAINOR RESIDENCE
 5800 North Bay Road
 Miami Beach, Florida

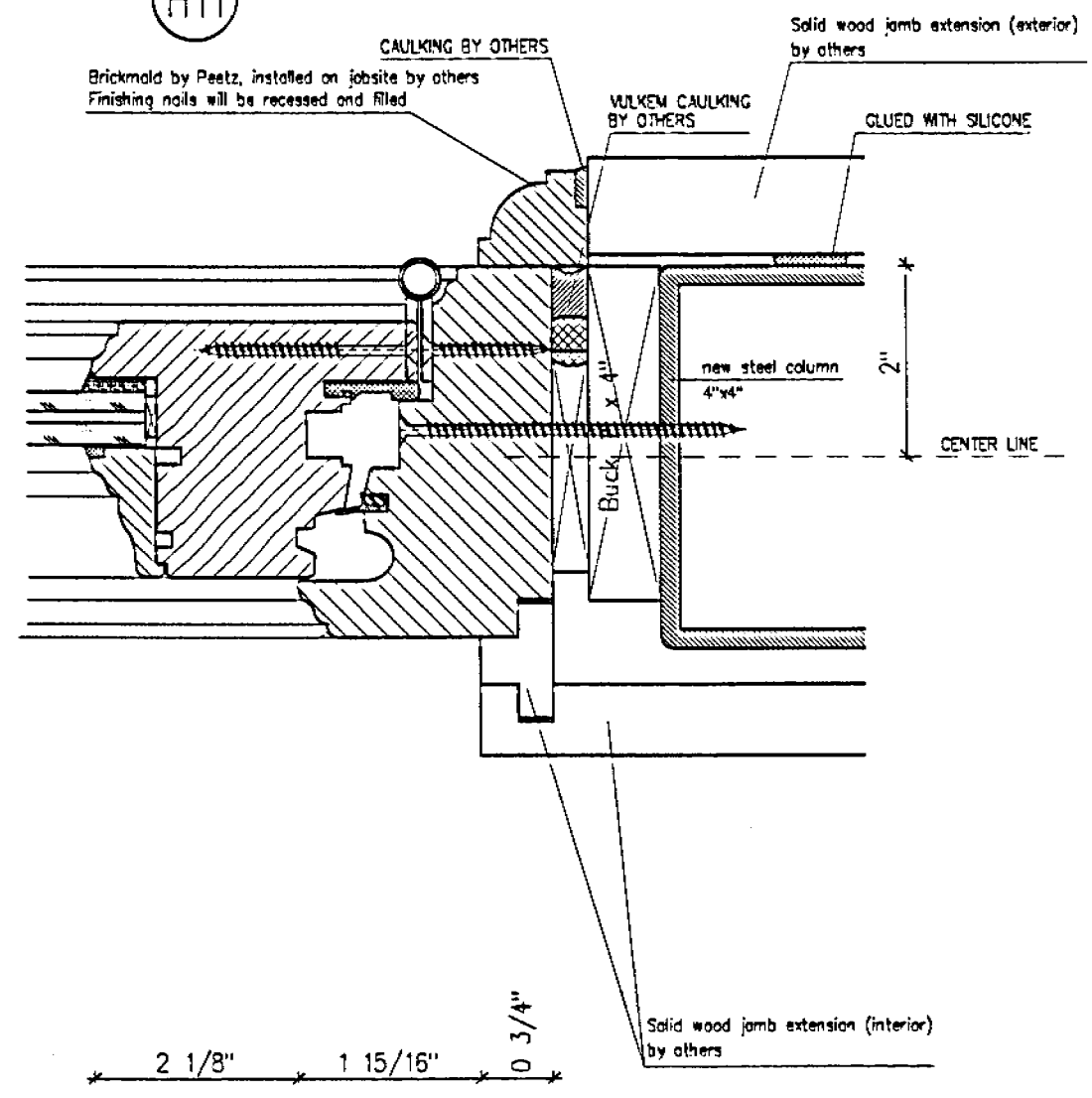
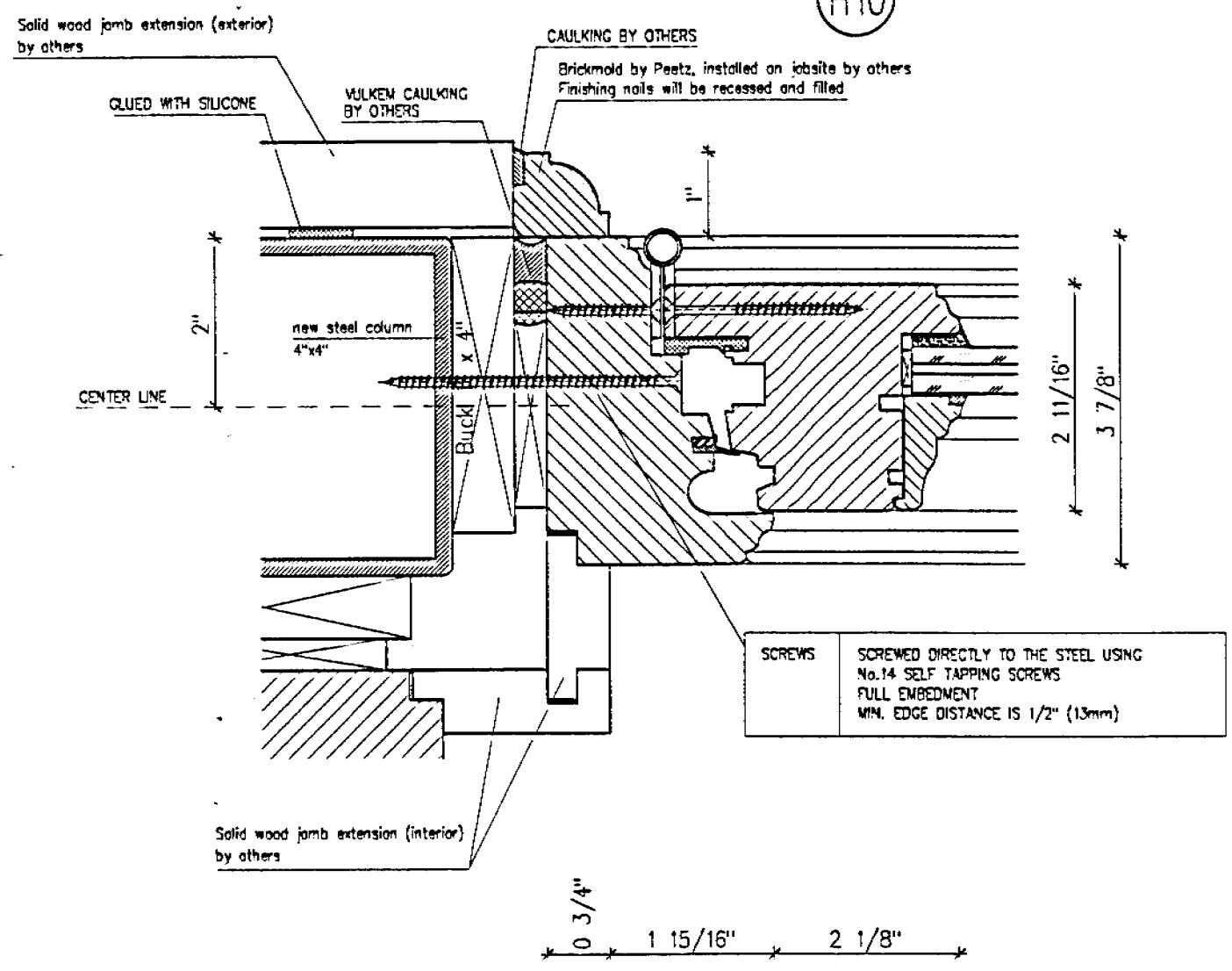
Mr. Greg Shirley
HANDCRAFT CONSTRUCTION
 7610 N.W. 6th AVENUE
 BOCA RATON, FLORIDA 33487
 Tel: (561) 241-9911

Document No.:	
Drawn by: A. SAUER	File: 26.s12
Date: 02/01/2006	Revised: 05/29/2006
	Revised: 06/16/2006
Scale: 1 : 2	Page 26 of 55



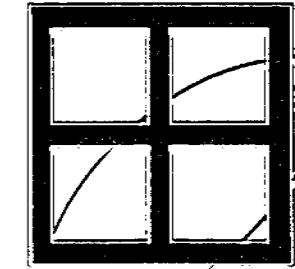
H10

H11



PEETZ

WINDOWS AND DOORS



Administration
 Peetz Windows and Doors, Inc.
 Phone 305-665-0291
 Fax 305-669-2063
 5783 S.W.40 Street, PMB220
 Miami, FL 33155
 Info@peetzwindows.com

Sales:
 Eva Marie Leon
 Phone 954-612-6777
 Fax 954-385-3371
 1579 Victoria Isle Way
 Weston, FL 33327
 eva@peetzwindows.com

www.peetzwindows.com

Horizontal
 Fixed Casement Window
 H12 - H13

GAINOR RESIDENCE
 5800 North Bay Road
 Miami Beach, Florida

Mr. Greg Shirley
 HANDCRAFT CONSTRUCTION
 7610 N.W. 6th AVENUE
 BOCA RATON, FLORIDA 33487
 Tel: (561) 241-9911

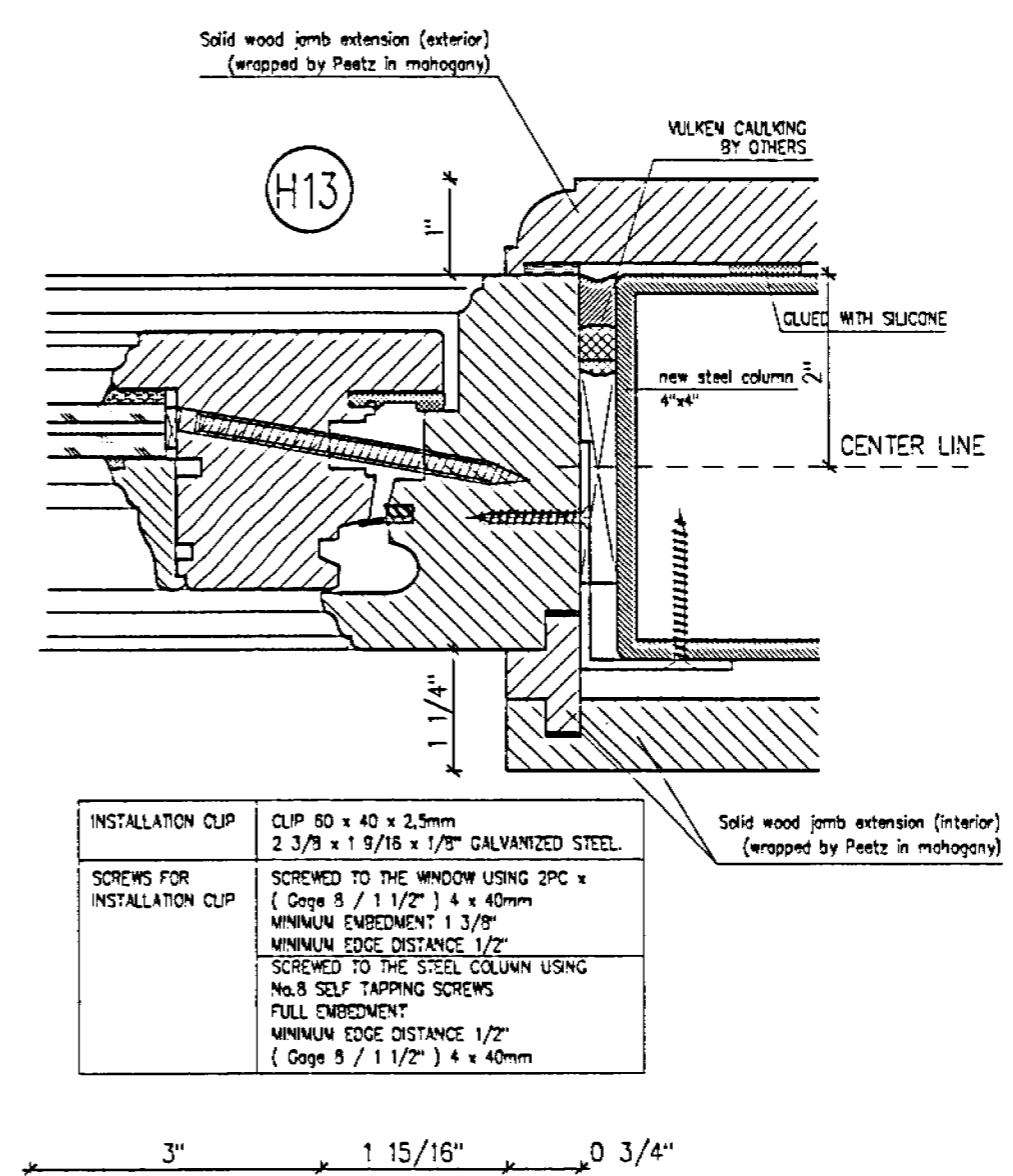
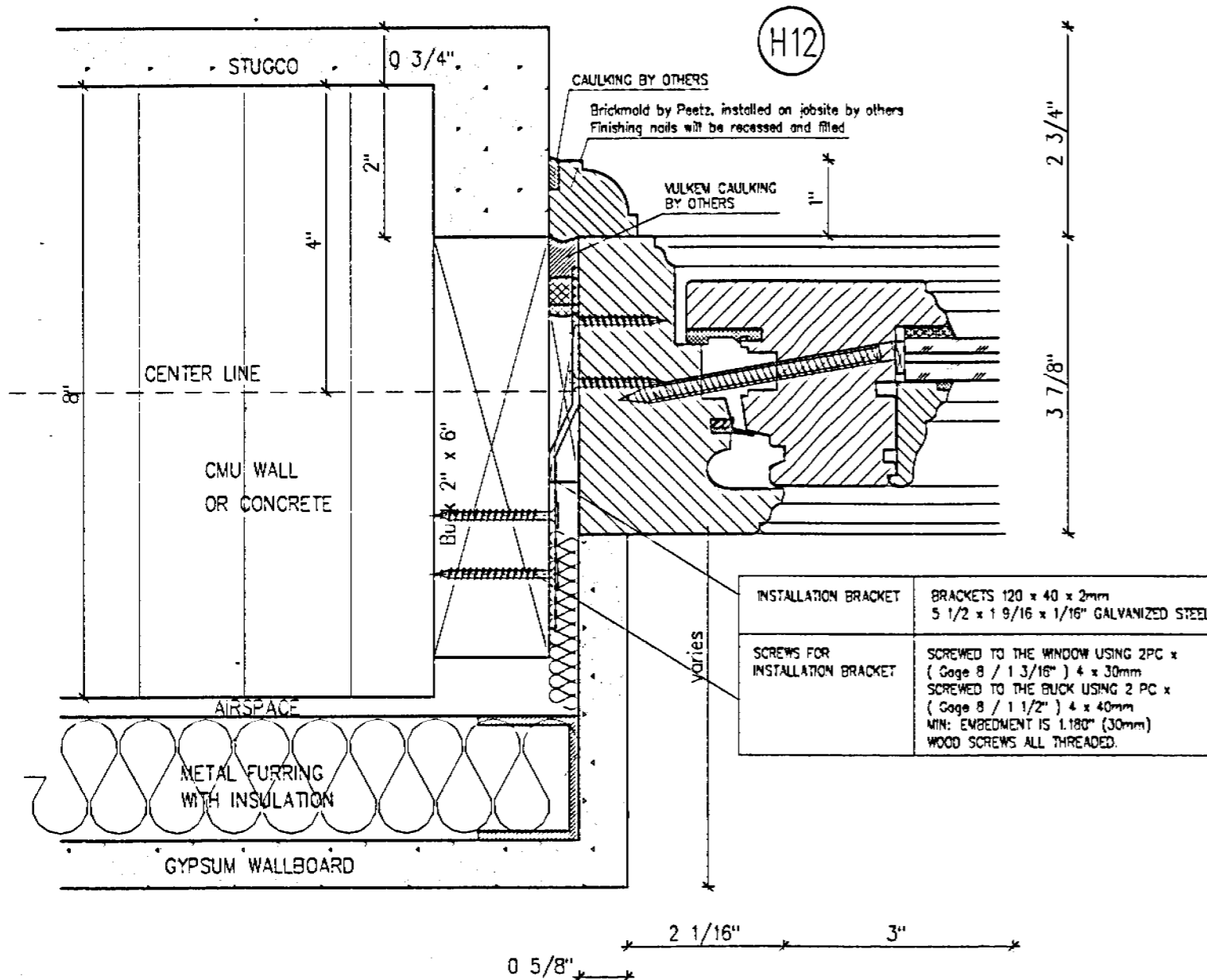
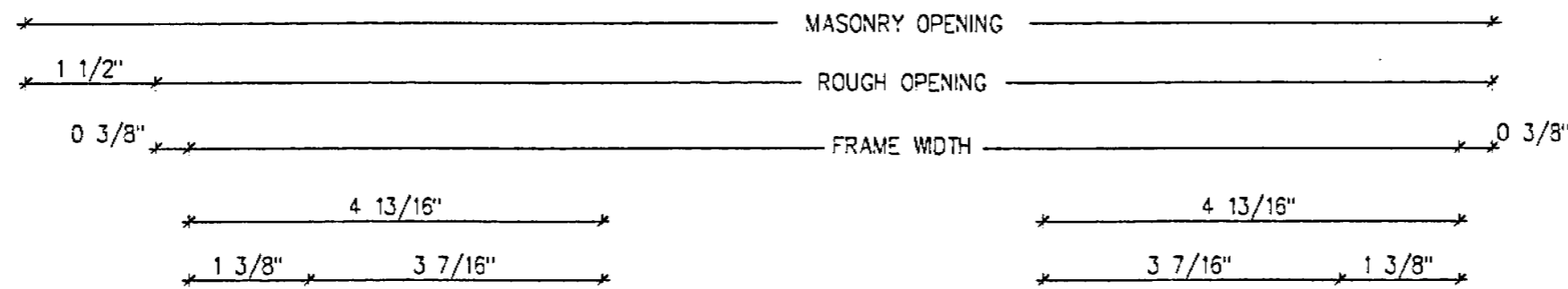
Document No.:

Drawn by: A. SAUER File: 27.s12

Date: 02/01/2006 Revised: 05/29/2006

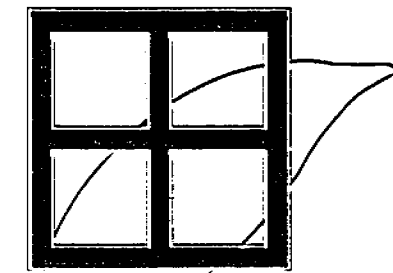
Revised: 06/16/2006

Scale: 1 : 2 Page 27 of 55



PEETZ

WINDOWS AND DOORS



Administration
 Peetz Windows and Doors, Inc.
 Phone 305-665-0291
 Fax 305-669-2063
 5783 S.W.40 Street, PMB220
 Miami, FL 33155
 Info@peetzwindows.com

Sales
 Eva Marie Leon
 Phone 954-812-6777
 Fax 954-385-3371
 1579 Victoria Isle Way
 Weston, FL 33327
 eva@peetzwindows.com

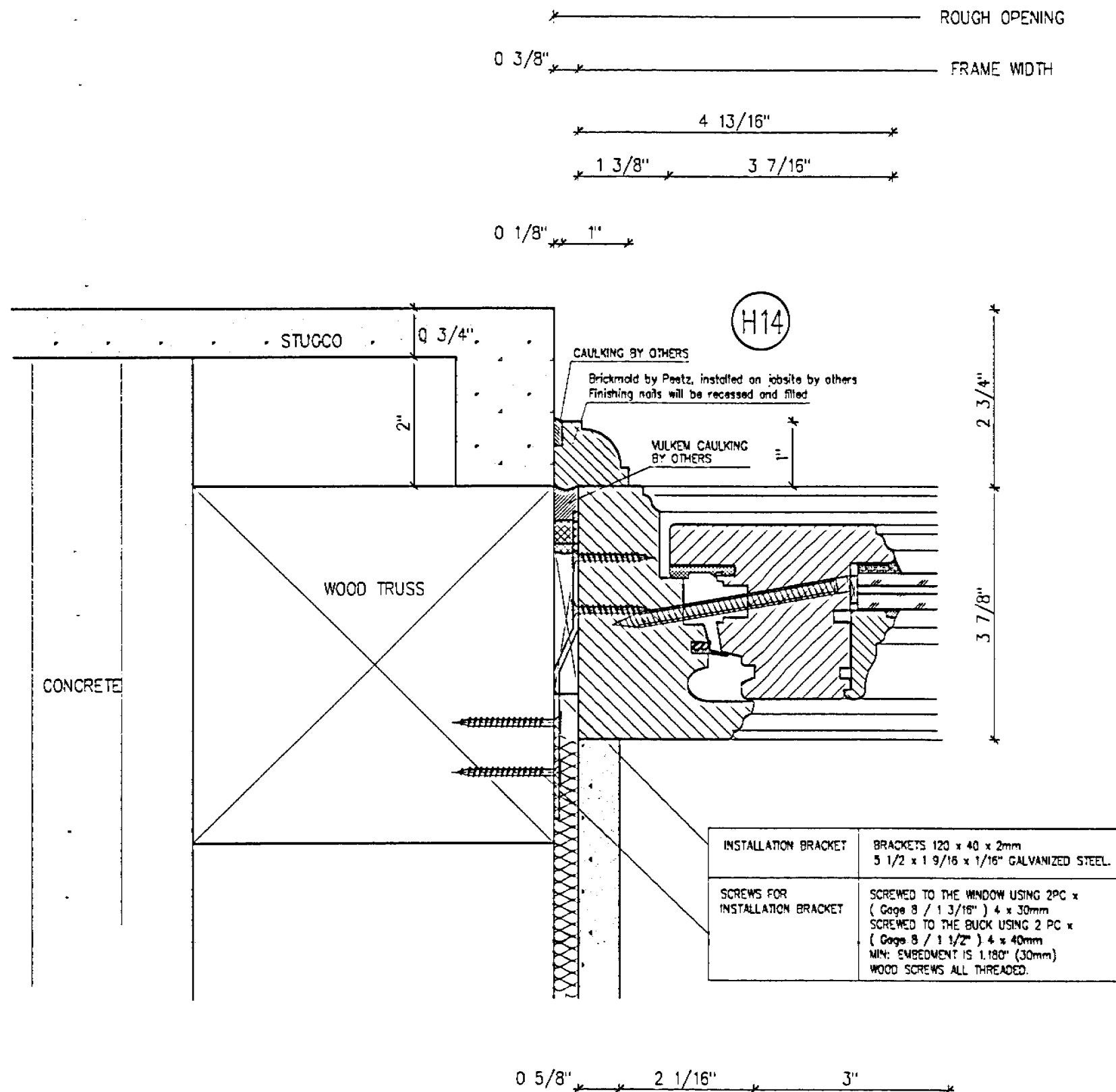
www.peetzwindows.com

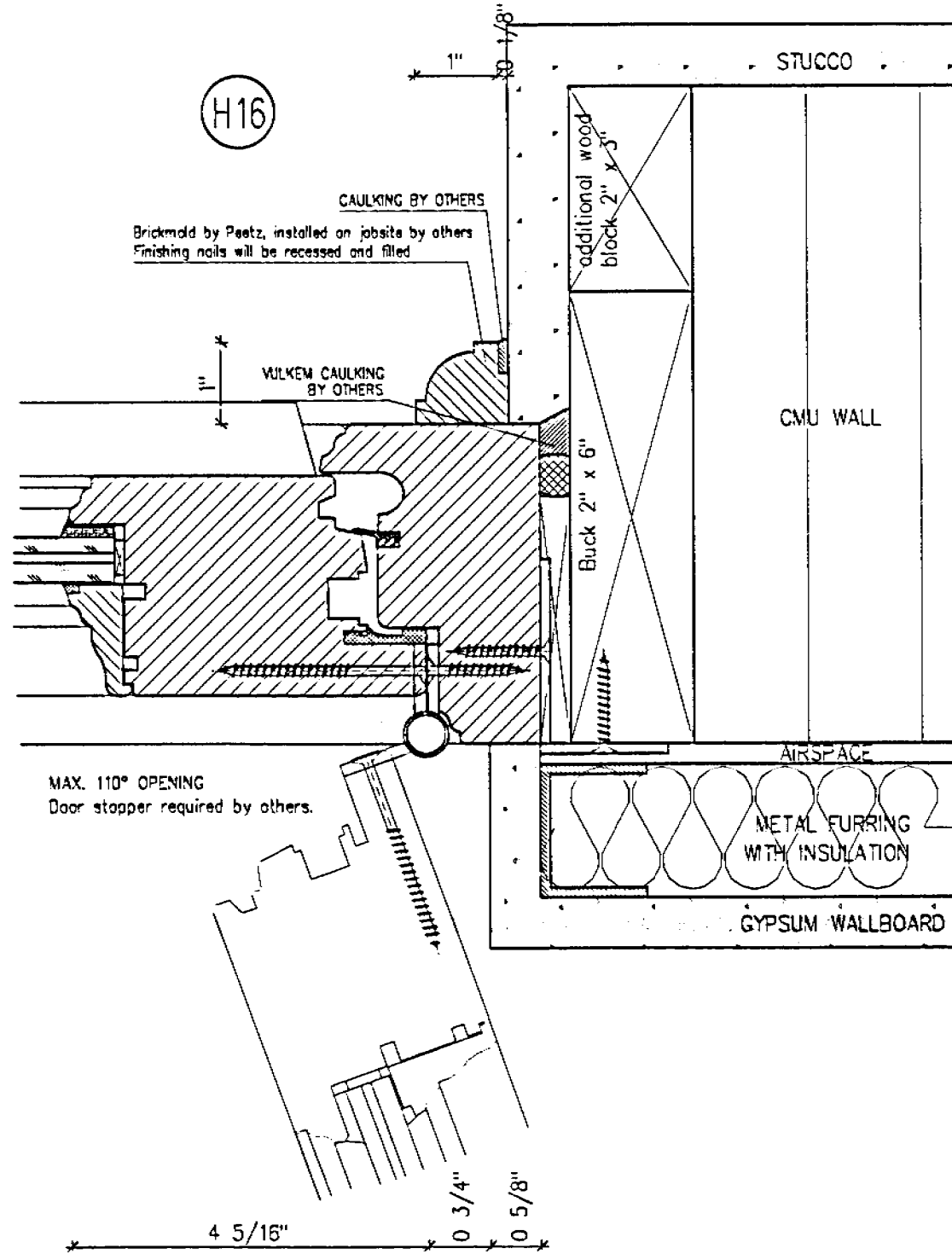
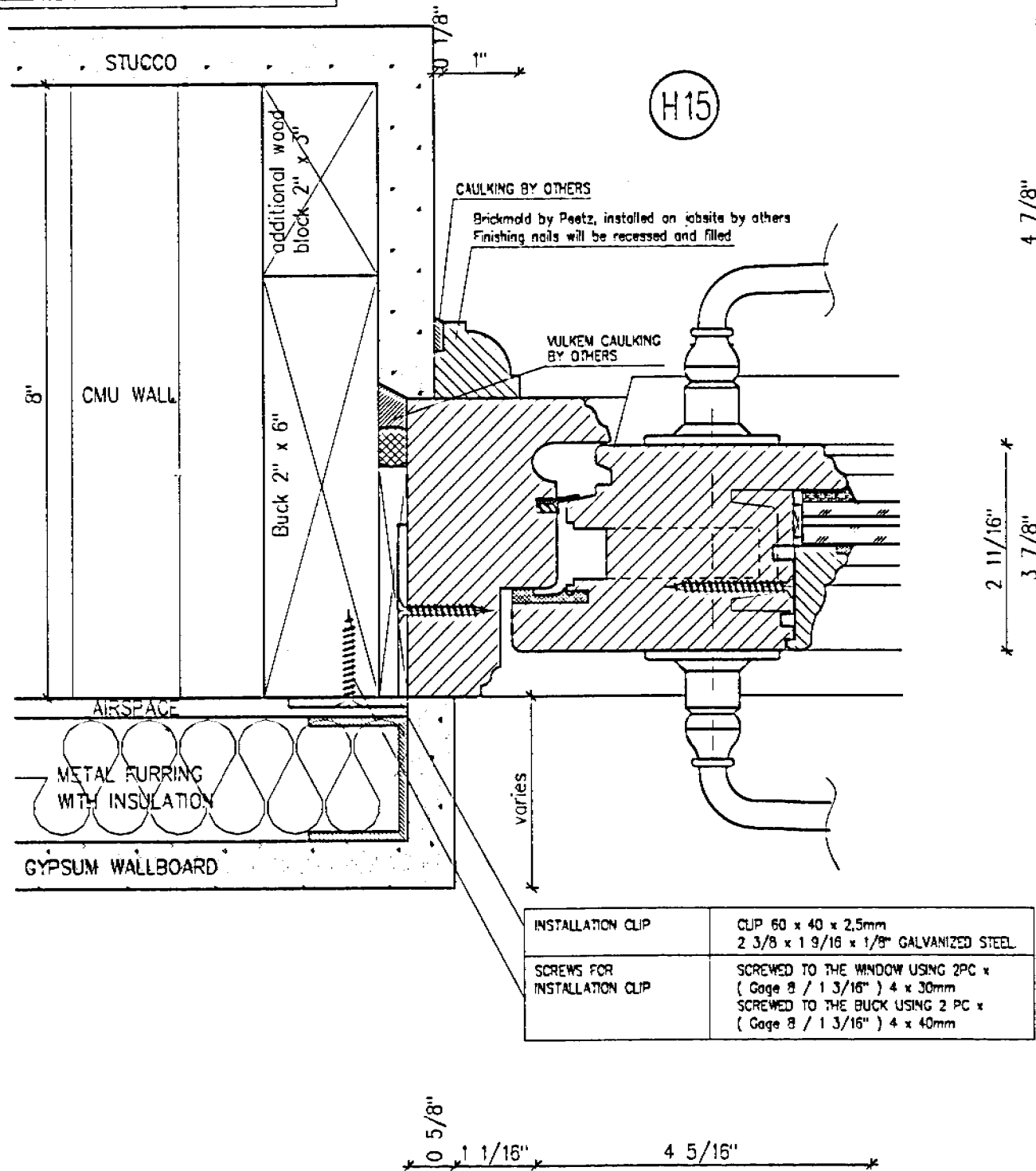
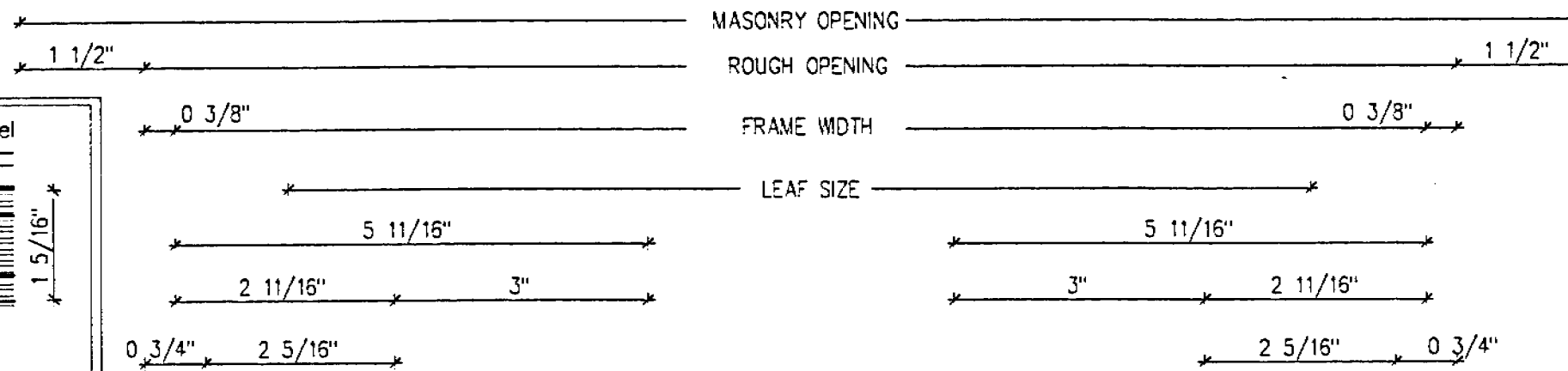
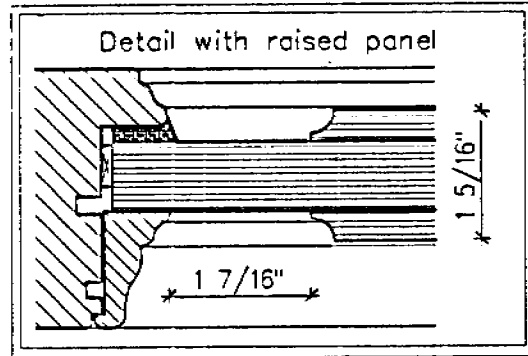
Horizontal
 Fixed Casement Window
 H14

GAINOR RESIDENCE
 5800 North Bay Road
 Miami Beach, Florida

Mr. Greg Shirley
 HANDCRAFT CONSTRUCTION
 7610 N.W. 6th AVENUE
 BOCA RATON, FLORIDA 33487
 Tel: (561) 241-9911

Document No.:
 Drawn by: A. SAUER File: 28.s12
 Date: 02/01/2006 Revised: 05/29/2006
 Revised: 06/16/2006
 Scale: 1 : 2 Page 28 of 55

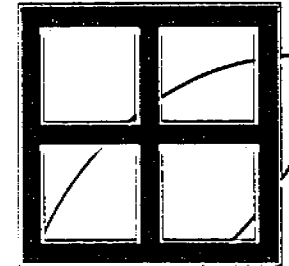




INSTALLATION CLIP	CLIP 60 x 40 x 2.5mm 2 3/8 x 1 9/16 x 1/8\" GALVANIZED STEEL
SCREWS FOR INSTALLATION CLIP	SCREWED TO THE WINDOW USING 2PC x (Gage 8 / 1 3/16\") 4 x 30mm SCREWED TO THE BUCK USING 2 PC x (Gage 8 / 1 3/16\") 4 x 40mm

PEETZ

WINDOWS AND DOORS



Administration
 Peetz Windows and Doors, Inc.
 Phone 305-865-0291
 Fax 305-869-2063
 5783 S.W.40 Street, PMB220
 Miami, FL 33155
 Info@peetzwindows.com

Sales
 Eva Marie Leon
 Phone 954-812-6777
 Fax 954-385-3371
 1579 Victoria Isle Way
 Weston, FL 33327
 eva@peetzwindows.com
 www.peetzwindows.com

Horizontal
 Inswing Door
 H15 - H16

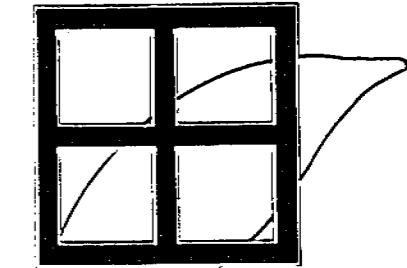
GAINOR RESIDENCE
 5800 North Bay Road
 Miami Beach, Florida

Mr. Greg Shirley
 HANDCRAFT CONSTRUCTION
 7610 N.W. 6th AVENUE
 BOCA RATON, FLORIDA 33487
 Tel: (561) 241-9911

Document No.:	
Drawn by: A. SAUER	File: 29.s12
Date: 02/01/2006	Revised: 05/29/2006
	Revised: 06/16/2006
Scale: 1 : 2	Page 29 of 55

PEETZ

WINDOWS AND DOORS



Administration
 Peetz Windows and Doors, Inc.
 Phone 305-665-0291
 Fax 305-669-2063
 5783 S.W. 40 Street, PMB220
 Miami, FL 33155
 info@peetzwindows.com

Sales
 Eva Maria Leon
 Phone 954-612-6777
 Fax 954-385-3371
 1579 Victoria Isle Way
 Weston, FL 33327
 eva@peetzwindows.com

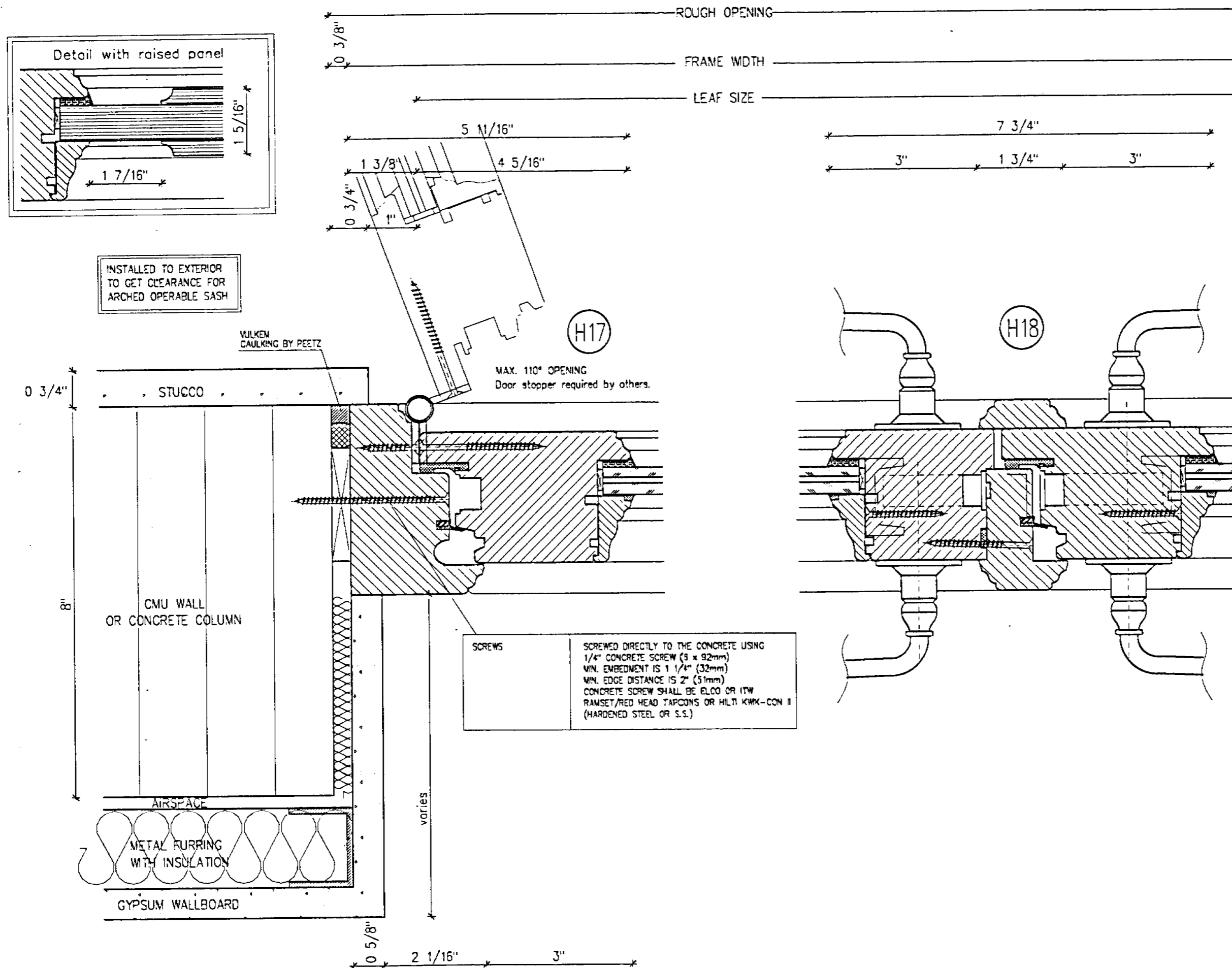
www.peetzwindows.com

Horizontal
 Outswing Door
 H17 - H18

GAINOR RESIDENCE
 5800 North Bay Road
 Miami Beach, Florida

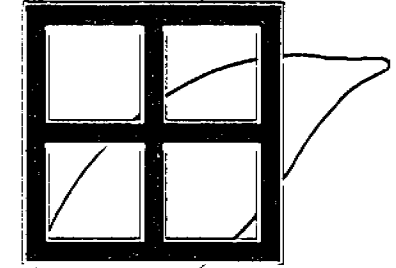
Mr. Greg Shirley
 HANDCRAFT CONSTRUCTION
 7610 N.W. 16th AVENUE
 BOCA RATON, FLORIDA 33487
 Tel: (561) 241-9911

Document No.:
 Drawn by: A. SAUER File: 30.st12
 Date: 02/01/2006 Revised: 05/29/2006
 Revised: 06/16/2006
 Scale: 1:2 Page 30 of 55



PEETZ

WINDOWS AND DOORS



Administration
 Peetz Windows and Doors, Inc.
 Phone 305-665-0291
 Fax 305-669-2063
 5783 S.W. 40 Street, PMB220
 Miami, FL 33155
 info@peetzwindows.com

Sales
 Eva Marie Leon
 Phone 954-612-6777
 Fax 954-385-3371
 1579 Victoria Isle Way
 Weston, FL 33327
 eva@peetzwindows.com
 www.peetzwindows.com

Horizontal
 Outswing Door
 H19 - H20

GAINOR RESIDENCE
 5800 North Bay Road
 Miami Beach, Florida

Mr. Greg Shirley
 HANDCRAFT CONSTRUCTION
 7610 N.W. 6th AVENUE
 BOCA RATON, FLORIDA 33487
 Tel: (561) 241-9911

Document No.:
 Drawn by: A. SAUER File: 31.s12
 Date: 02/01/2006 Revised: 05/29/2006
 Revised: 06/15/2006
 Scale: 1 : 2 Page 31 of 55

