



Existing Location Overview



Proposed Signage Overview

SITE SIGNAGE SUMMARY

EXISTING

- (1) Custom Neon Cosmetics Wall Sign
- (2) Custom Neon 1 Hour Photo Wall Sign
- (3) Custom 60" Open Face Neon Channel Letters
- (4) Illum CVS/pharmacy Channel Letters
- (5) Neon Border Tubing

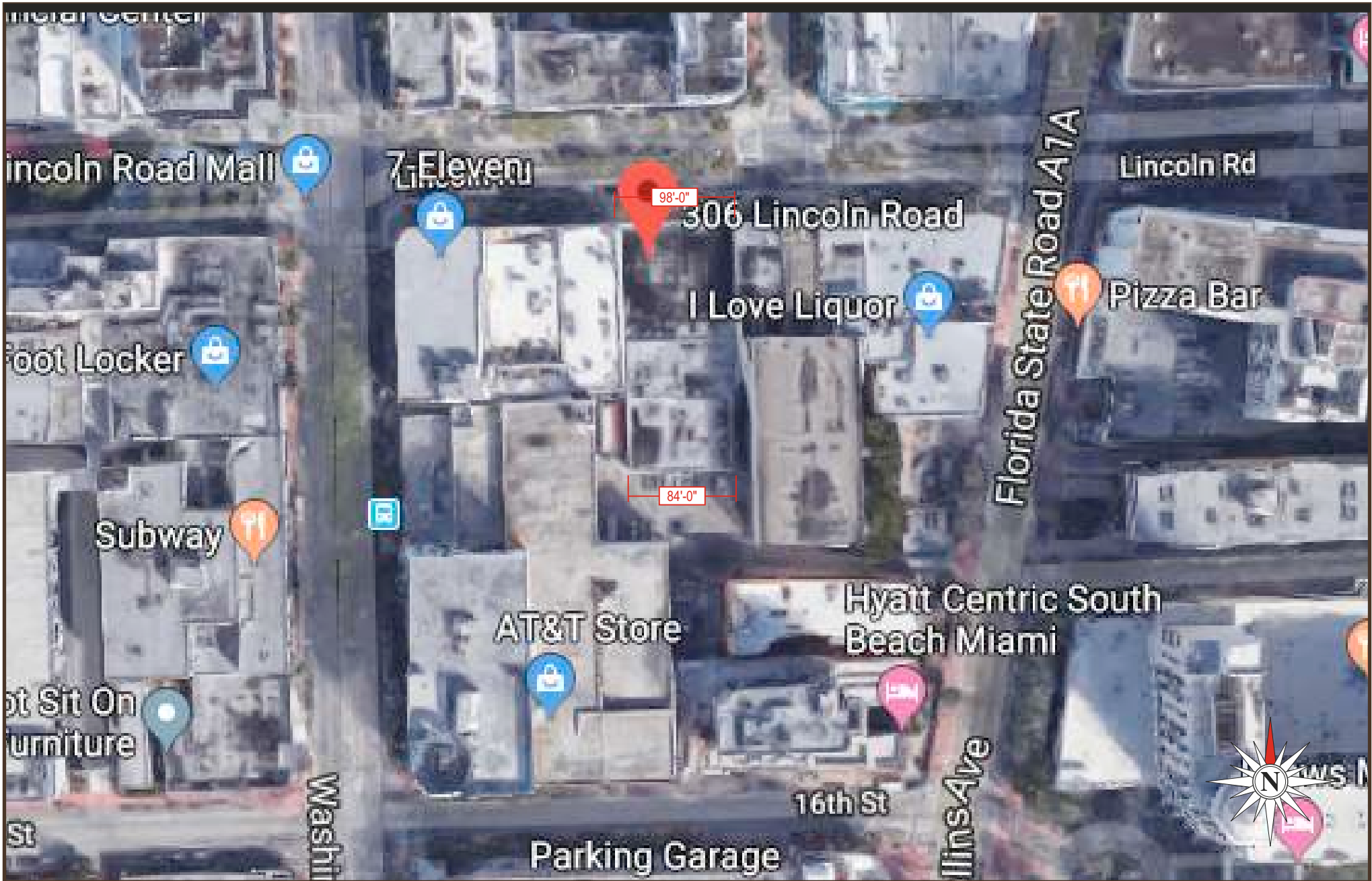
PROPOSED

- (1) Custom GE TETRA CONTOUR LED TUBE "grocery" with Icons
- (2) Custom GE TETRA CONTOUR LED TUBE "minute clinic" with Icons
- (3) Custom 45 1/8" Open Faced Channel Letters with GE TETRA CONTOUR LED TUBE
- (4) 22" LED Illum CVSpharmacy Channel Letters
- (5) GE TETRA CONTOUR LED Boarder Tube

Loc#: 5010

306 Lincoln Rd
Miami Beach, FL 33139





Drawing prepared by:



SITE PLAN

Location: 306 Lincoln Road
Miami Beach, FL

Proj #: 751

Loc #: 5010

File Path:

Active\ACCOUNTS\CVS pharmacy\Locations 2016\751_General\751_5010_Miami Beach_FL_Layouts_R9.cdr

Drawing prepared for:



| Rev #: | Req#: | Date: | Req. By: | Drawn By: | Revision Description: | Drawings are the exclusive property of ICON. Any unauthorized use or duplication is not permitted. |
|----------|--------|----------|----------|-----------|---|--|
| Original | 260985 | 10/30/17 | ML | ANS | | |
| Rev 1 | 000000 | 00/00/00 | XXX | XXX | | |
| Rev 2 | 265190 | 01/11/18 | ML | ANS | Updated per comment | Rev #: 322460 Date: 01/27/20 Req. By: AM Drawn By: ANS |
| Rev 3 | 267865 | 02/16/18 | ML | ANS | Updated LED layout | Rev 8 325394 04/17/20 AM ANS |
| Rev 4 | 311159 | 03/29/19 | SJ | ANS | Updated to GE layouts and added engineering | Rev 9 336984 03/07/21 AM ANS |
| Rev 5 | 000000 | 00/00/00 | SJ | ANS | Added existing sqft and cover sheet | Rev 10 000000 00/00/00 XXX XXX |
| Rev 6 | 311277 | 04/02/19 | SJ | ANS | Added aerial and border tube replacement | Pg. |



Drawing prepared by:

DAY VIEW FRONT

Drawing prepared for:

Location:
306 Lincoln Road
Miami Beach, FL

File Path:
Active\ACCOUNTS\C\CVS pharmacy\Locations 2016\751_General\751_5010_Miami Beach_FL_Layouts_R9.cdr

Proj #:
751

Loc #:
5010



| Rev #: | Req#: | Date: | Req. By: | Drawn By: | Revision Description: | Rev #: | Req#: | Date: | Req. By: | Drawn By: |
|----------|--------|----------|----------|-----------|---|--------|--------|----------|----------|-----------|
| Original | 260985 | 10/30/17 | ML | ANS | | | | | | |
| Rev 1 | 000000 | 00/00/00 | XXX | XXX | | Rev 7 | 322460 | 01/27/20 | AM | ANS |
| Rev 2 | 265190 | 01/11/18 | ML | ANS | Updated per comment | Rev 8 | 325394 | 04/17/20 | AM | ANS |
| Rev 3 | 267865 | 02/16/18 | ML | ANS | Updated LED layout | Rev 9 | 336984 | 03/07/21 | AM | ANS |
| Rev 4 | 311159 | 03/29/19 | SJ | ANS | Updated to GE layouts and added engineering | Rev 10 | 000000 | 00/00/00 | XXX | XXX |
| Rev 5 | 000000 | 00/00/00 | SJ | ANS | Added existing sqft and cover sheet | | | | | |
| Rev 6 | 311277 | 04/02/19 | SJ | ANS | Added aerial and border tube replacement | | | | | Pg. |

Drawings are the exclusive property of ICON. Any unauthorized use or duplication is not permitted.





Drawing prepared by:

NIGHT VIEW FRONT

Drawing prepared for:

Location: 306 Lincoln Road
Miami Beach, FL
File Path: Active\ACCOUNTS\C\CVS pharmacy\Locations 2016\751_General\751_5010_Miami Beach_FL_Layouts_R9.cdr

Proj #: 751
Loc #: 5010



| Rev #: | Req#: | Date: | Req. By: | Drawn By: | Revision Description: | Rev #: | Req#: | Date: | Req. By: | Drawn By: |
|----------|--------|----------|----------|-----------|---|--------|--------|----------|----------|-----------|
| Original | 260985 | 10/30/17 | ML | ANS | | | | | | |
| Rev 1 | 000000 | 00/00/00 | XXX | XXX | | Rev 7 | 322460 | 01/27/20 | AM | ANS |
| Rev 2 | 265190 | 01/11/18 | ML | ANS | Updated per comment | Rev 8 | 325394 | 04/17/20 | AM | ANS |
| Rev 3 | 267865 | 02/16/18 | ML | ANS | Updated LED layout | Rev 9 | 336984 | 03/07/21 | AM | ANS |
| Rev 4 | 311159 | 03/29/19 | SJ | ANS | Updated to GE layouts and added engineering | Rev 10 | 000000 | 00/00/00 | XXX | XXX |
| Rev 5 | 000000 | 00/00/00 | SJ | ANS | Added existing sqft and cover sheet | | | | | |
| Rev 6 | 311277 | 04/02/19 | SJ | ANS | Added aerial and border tube replacement | | | | | Pg. |

Drawings are the exclusive property of ICON. Any unauthorized use or duplication is not permitted.



Drawing prepared by:

DAY VIEW BACK

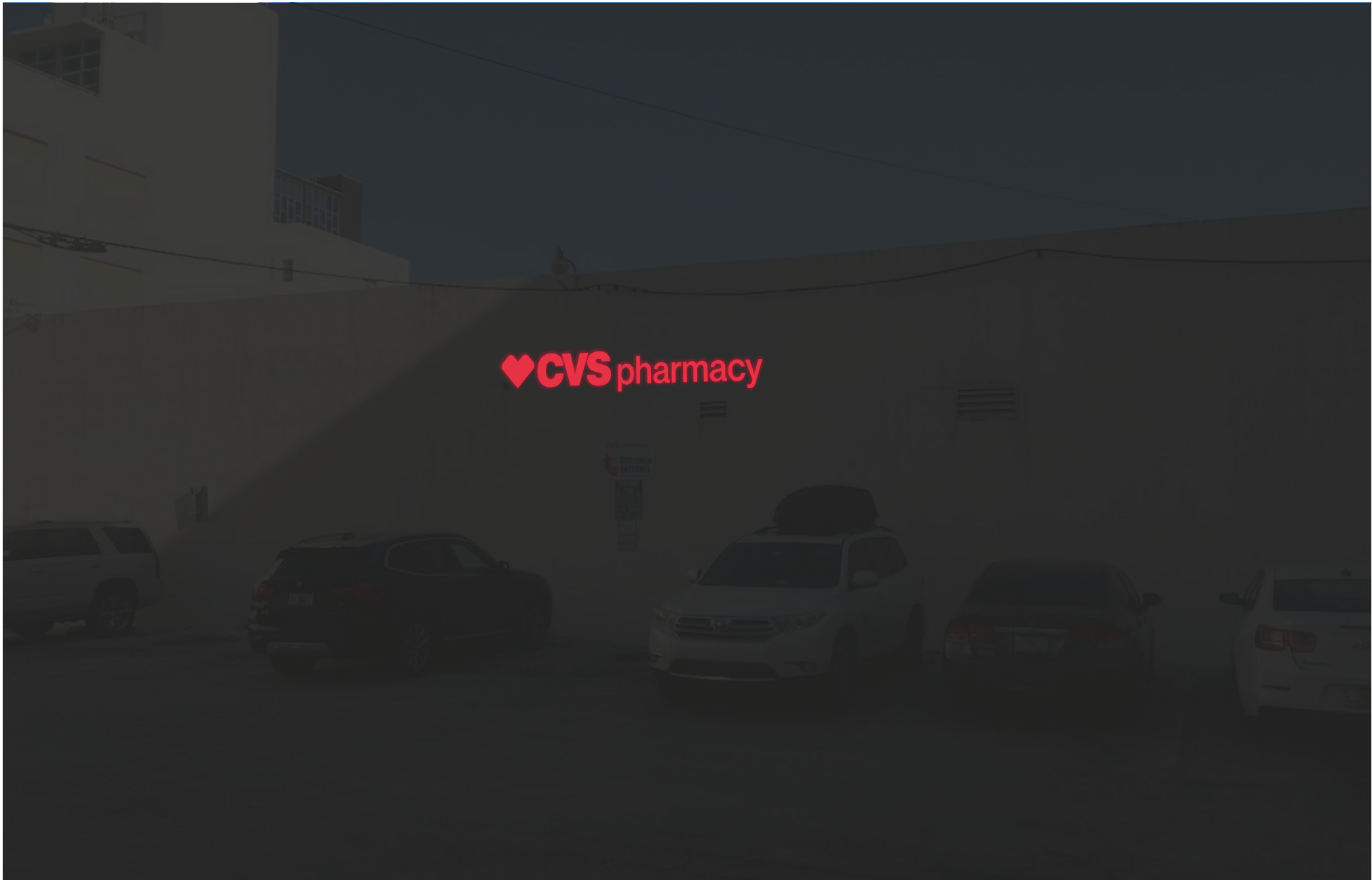
Drawing prepared for:

Location: 306 Lincoln Road
Miami Beach, FL
File Path: Active\ACCOUNTS\C\CVS pharmacy\Locations 2016\751_General\751_5010_Miami Beach_FL_Layouts_R9.cdr

Proj #: 751
Loc #: 5010



| Rev #: | Req#: | Date: | Req. By: | Drawn By: | Revision Description: | Drawings are the exclusive property of ICON. Any unauthorized use or duplication is not permitted. | | | | |
|----------|--------|----------|----------|-----------|---|--|--------|----------|----------|-----------|
| Original | 260985 | 10/30/17 | ML | ANS | | | | | | |
| Rev 1 | 000000 | 00/00/00 | XXX | XXX | | | | | | |
| Rev 2 | 265190 | 01/11/18 | ML | ANS | Updated per comment | Rev #: | Req#: | Date: | Req. By: | Drawn By: |
| Rev 3 | 267865 | 02/16/18 | ML | ANS | Updated LED layout | Rev 7 | 322460 | 01/27/20 | AM | ANS |
| Rev 4 | 311159 | 03/29/19 | SJ | ANS | Updated to GE layouts and added engineering | Rev 8 | 325394 | 04/17/20 | AM | ANS |
| Rev 5 | 000000 | 00/00/00 | SJ | ANS | Added existing sqft and cover sheet | Rev 9 | 336984 | 03/07/21 | AM | ANS |
| Rev 6 | 311277 | 04/02/19 | SJ | ANS | Added aerial and border tube replacement | Rev 10 | 000000 | 00/00/00 | XXX | XXX |



Drawing prepared by:

NIGHT VIEW BACK

Drawing prepared for:

Location: 306 Lincoln Road
Miami Beach, FL
Proj #: 751
Loc #: 5010
File Path:



Active\ACCOUNTS\C\CVS pharmacy\Locations 2016\751_General\751_5010_Miami Beach_FL_Layouts_R9.cdr

| Rev #: | Req#: | Date: | Req. By: | Drawn By: | Revision Description: | Rev #: | Req#: | Date: | Req. By: | Drawn By: |
|----------|--------|----------|----------|-----------|---|--------|--------|----------|----------|-----------|
| Original | 260985 | 10/30/17 | ML | ANS | | | | | | |
| Rev 1 | 000000 | 00/00/00 | XXX | XXX | | | | | | |
| Rev 2 | 265190 | 01/11/18 | ML | ANS | Updated per comment | Rev 7 | 322460 | 01/27/20 | AM | ANS |
| Rev 3 | 267865 | 02/16/18 | ML | ANS | Updated LED layout | Rev 8 | 325394 | 04/17/20 | AM | ANS |
| Rev 4 | 311159 | 03/29/19 | SJ | ANS | Updated to GE layouts and added engineering | Rev 9 | 336984 | 03/07/21 | AM | ANS |
| Rev 5 | 000000 | 00/00/00 | SJ | ANS | Added existing sqft and cover sheet | Rev 10 | 000000 | 00/00/00 | XXX | XXX |
| Rev 6 | 311277 | 04/02/19 | SJ | ANS | Added aerial and border tube replacement | | | | | Pg. |

Drawings are the exclusive property of ICON. Any unauthorized use or duplication is not permitted.





CUSTOM GE TETRA CONTOUR LED TUBE LETTERS/ICONS

QTY: 1

Replace all boarder neon tubes with GE TETRA CONTOUR LED tubes.

SCALE: 1/2"=1'-0"



EXISTING (67" x 153" = 71.18 SqFt)



PROPOSED

Drawing prepared by:

SIGN 1

Drawing prepared for:



Location:
306 Lincoln Road
Miami Beach, FL

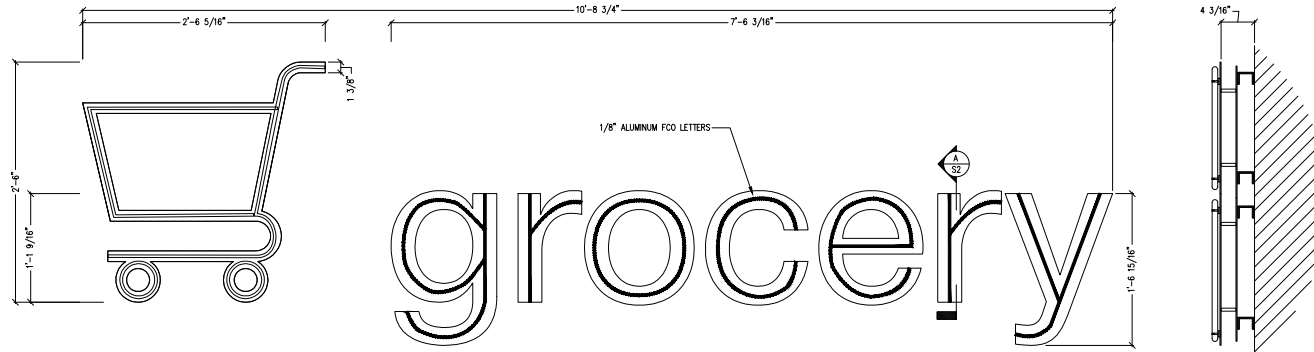
Proj #:
751
Loc #:
5010

File Path:

Active\ACCOUNTS\C\CVS pharmacy\Locations 2016\751_General\751_5010_Miami Beach_FL_Layouts_R9.cdr



| Rev #: | Req#: | Date: | Req. By: | Drawn By: | Revision Description: | Drawings are the exclusive property of ICON. Any unauthorized use or duplication is not permitted. |
|----------|--------|----------|----------|-----------|---|--|
| Original | 260985 | 10/30/17 | ML | ANS | | |
| Rev 1 | 000000 | 00/00/00 | XXX | XXX | | |
| Rev 2 | 265190 | 01/11/18 | ML | ANS | Updated per comment | Rev #: 322460 01/27/20 AM ANS |
| Rev 3 | 267865 | 02/16/18 | ML | ANS | Updated LED layout | Rev 8 325394 04/17/20 AM ANS |
| Rev 4 | 311159 | 03/29/19 | SJ | ANS | Updated to GE layouts and added engineering | Rev 9 336984 03/07/21 AM ANS |
| Rev 5 | 000000 | 00/00/00 | SJ | ANS | Added existing sqft and cover sheet | Rev 10 000000 00/00/00 XXX XXX |
| Rev 6 | 311277 | 04/02/19 | SJ | ANS | Added aerial and border tube replacement | Pg. |



ELEVATIONS

Scale: 1/2"=1'-0"



MOUNTING LOCATIONS

Scale: 1/2"=1'-0"

DESIGN LOADS:
175 MPH WIND LOAD
RISK CATEGORY I, EXPOSURE C,
FLORIDA BUILDING CODE 6TH
EDITION (2017)

THIS SIGN IS INTENDED TO BE
INSTALLED IN ACCORDANCE WITH
THE REQUIREMENTS OF ARTICLE 600
OF THE NATIONAL ELECTRICAL CODE
AND/OR OTHER APPLICABLE LOCAL
CODES. THIS INCLUDES PROPER
GROUNDING AND BONDING OF SIGN.

| | |
|---|--|
| WEIGHT | |
| ESTIMATED SIGN WEIGHT: 130 Lb. | |
| SIGN INTERIOR TO BE PAINTED FLAT WHITE FOR MAXIMUM REFLECTIVITY | |
| USE WHITE SILICONE TO CONCEAL LIGHT LEAKS | |
| TOLERANCE ± 1/16" ON ALL DIMENSIONS | |
| ELECTRICAL | |
| (ESTIMATE) LEDs | (32ft.) GE, TETRA CONTOUR RED, GENRD-1, 4 UNITS |
| POWER SUPPLY | (1) GEPS24-100-NA (GE) |
| AMPS | 1.1 |
| V.A. | 120 VOLTS |
| CIRCUITS | 1-20 AMP WATTS 132 |

Drawing prepared by:



SIGN 1

Location:
306 Lincoln Road
Miami Beach, FL

File Path:
Active\ACCOUNTS\C\CVS pharmacy\Locations 2016\751_General\751_5010_Miami Beach_FL_Layouts_R9.cdr

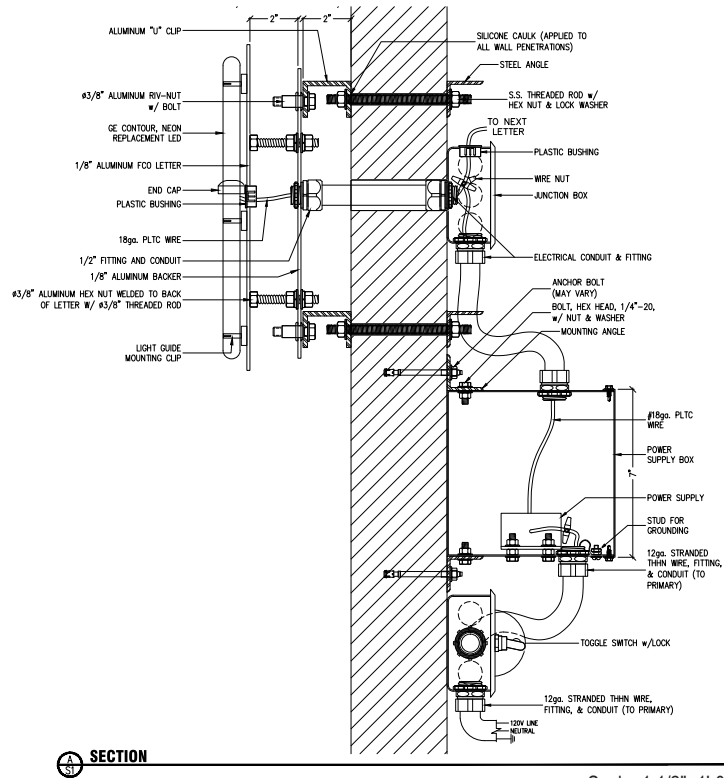
Proj #:
751

Loc #:
5010



Drawing prepared for:

| Rev #: | Req#: | Date: | Req. By: | Drawn By: | Revision Description: | Drawings are the exclusive property of ICON. Any unauthorized use or duplication is not permitted. | | | | |
|----------|--------|----------|----------|-----------|---|--|--------|----------|----------|-----------|
| Original | 260985 | 10/30/17 | ML | ANS | | | | | | |
| Rev 1 | 000000 | 00/00/00 | XXX | XXX | | | | | | |
| Rev 2 | 265190 | 01/11/18 | ML | ANS | Updated per comment | Rev #: | Req#: | Date: | Req. By: | Drawn By: |
| Rev 3 | 267865 | 02/16/18 | ML | ANS | Updated LED layout | Rev 7 | 322460 | 01/27/20 | AM | ANS |
| Rev 4 | 311159 | 03/29/19 | SJ | ANS | Updated to GE layouts and added engineering | Rev 8 | 325394 | 04/17/20 | AM | ANS |
| Rev 5 | 000000 | 00/00/00 | SJ | ANS | Added existing sqft and cover sheet | Rev 9 | 336984 | 03/07/21 | AM | ANS |
| Rev 6 | 311277 | 04/02/19 | SJ | ANS | Added aerial and border tube replacement | Rev 10 | 000000 | 00/00/00 | XXX | XXX |
| | | | | | | | | | | Pg. |



SECTION

Scale: 1 1/2"=1'-0"

| SECTION | ANCHOR TYPE | WALL TYPE |
|---------|---|--|
| | #1/2" SLEEVE ANCHOR (#3/8" BOLT), 2" MINIMUM EMBEDMENT | CMU, BRICK |
| | #3/8" EXPANSION ANCHOR, 2 1/2" MINIMUM EMBEDMENT | PRE-CAST CONCRETE, CONCRETE |
| | #3/8" LAG BOLT, 3" MINIMUM EMBEDMENT | WOOD BLOCKING |
| | #3/8" THREADED ROD | WOOD, CONCRETE BLOCK, EFS WALL SYSTEMS |
| | #3/8" THREADED ROD w/ALUMINUM OR PVC COMPRESSION SLEEVE | EFS WALL w/ FOAM INSULATION |
| | #3/8" PIVOTING TOGGLE BOLT | 5/8" THICK MIN. PLYWOOD |

MOUNTING OPTIONS

SCALE: N.T.S.

Drawing prepared by:

SIGN 1

Drawing prepared for:



Location:
306 Lincoln Road
Miami Beach, FL

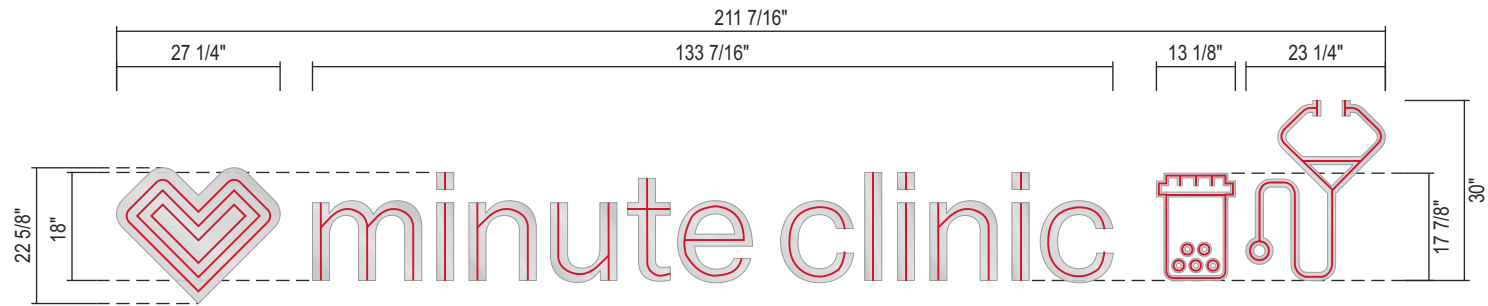
Proj #:
751

Loc #:
5010

File Path:
Active\ACCOUNTS\CVS pharmacy\Locations 2016\751_General\751_5010_Miami Beach_FL_Layouts_R9.cdr



| Rev #: | Req#: | Date: | Req. By: | Drawn By: | Revision Description: | Drawings are the exclusive property of ICON. Any unauthorized use or duplication is not permitted. |
|----------|--------|----------|----------|-----------|---|--|
| Original | 260985 | 10/30/17 | ML | ANS | | |
| Rev 1 | 000000 | 00/00/00 | XXX | XXX | | |
| Rev 2 | 265190 | 01/11/18 | ML | ANS | Updated per comment | Rev #: 322460 01/27/20 AM ANS |
| Rev 3 | 267865 | 02/16/18 | ML | ANS | Updated LED layout | Rev 8 325394 04/17/20 AM ANS |
| Rev 4 | 311159 | 03/29/19 | SJ | ANS | Updated to GE layouts and added engineering | Rev 9 336984 03/07/21 AM ANS |
| Rev 5 | 000000 | 00/00/00 | SJ | ANS | Added existing sqft and cover sheet | Rev 10 000000 00/00/00 XXX XXX |
| Rev 6 | 311277 | 04/02/19 | SJ | ANS | Added aerial and border tube replacement | Pg. |



CUSTOM GE TETRA CONTOUR LED TUBE LETTERS/ICONS

QTY: 1

Replace all boarder neon tubes with GE TETRA CONTOUR LED tubes.

SCALE: 3/8"=1'-0"



EXISTING (60" x 192" = 80.0 SqFt)



PROPOSED

Drawing prepared by:

SIGN 2

Drawing prepared for:



Location:
306 Lincoln Road
Miami Beach, FL

Proj #:
751

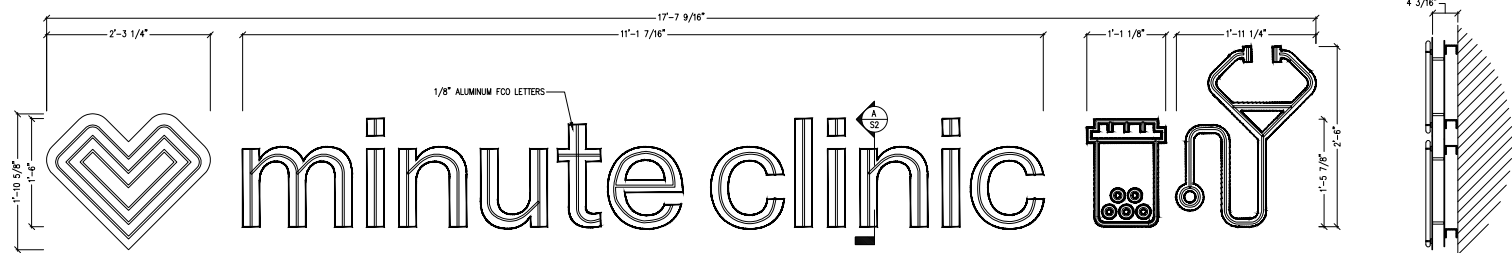
Loc #:
5010

File Path:
Active\ACCOUNTS\CVS pharmacy\Locations 2016\751_General\751_5010_Miami Beach_FL_Layouts_R9.cdr



| Rev #: | Req#: | Date: | Req. By: | Drawn By: | Revision Description: | Rev #: | Req#: | Date: | Req. By: | Drawn By: |
|----------|--------|----------|----------|-----------|---|--------|--------|----------|----------|-----------|
| Original | 260985 | 10/30/17 | ML | ANS | | | | | | |
| Rev 1 | 000000 | 00/00/00 | XXX | XXX | | Rev 7 | 322460 | 01/27/20 | AM | ANS |
| Rev 2 | 265190 | 01/11/18 | ML | ANS | Updated per comment | Rev 8 | 325394 | 04/17/20 | AM | ANS |
| Rev 3 | 267865 | 02/16/18 | ML | ANS | Updated LED layout | Rev 9 | 336984 | 03/07/21 | AM | ANS |
| Rev 4 | 311159 | 03/29/19 | SJ | ANS | Updated to GE layouts and added engineering | Rev 10 | 000000 | 00/00/00 | XXX | XXX |
| Rev 5 | 000000 | 00/00/00 | SJ | ANS | Added existing sqft and cover sheet | | | | | |
| Rev 6 | 311277 | 04/02/19 | SJ | ANS | Added aerial and border tube replacement | | | | | |

Drawings are the exclusive property of ICON. Any unauthorized use or duplication is not permitted.



ELEVATIONS

Scale: 3/8"=1'-0"



MOUNTING LOCATIONS

Scale: 3/8"=1'-0"

DESIGN LOADS:
175 MPH WIND LOAD
RISK CATEGORY II, EXPOSURE C,
FLORIDA BUILDING CODE 6TH
EDITION (2017)

THIS SIGN IS INTENDED TO BE
INSTALLED IN ACCORDANCE WITH
THE REQUIREMENTS OF ARTICLE 600
OF THE NATIONAL ELECTRICAL CODE
AND/OR OTHER APPLICABLE LOCAL
CODES. THIS INCLUDES PROPER
GROUNDING AND BONDING OF SIGN.

THIS SIGN TO
BEAR THIS MARK

ELECTRIC SIGN

WEIGHT
ESTIMATED SIGN WEIGHT:
130 lb.
SIGN INTERIOR TO BE
PAINTED FLAT WHITE FOR
MAXIMUM REFLECTIVITY
USE WHITE SILICONE TO
CONCEAL LIGHT LEAKS
TOLERANCE: ± 1/16" ON
ALL DIMENSIONS

| ELECTRICAL | |
|------------------|--|
| (ESTIMATE) | |
| LEDs | (59ft.) GE, TETRA CONTOUR RED, GEXNRD-1, 8 UNITS |
| POWER SUPPLY (1) | GEPS24-100-NA (GE) |
| AMPS | 1.1 |
| V.A. | 120 VOLTS WATTS 132 |
| CIRCUITS | 1-20 AMP |

Drawing prepared by:



SIGN 2

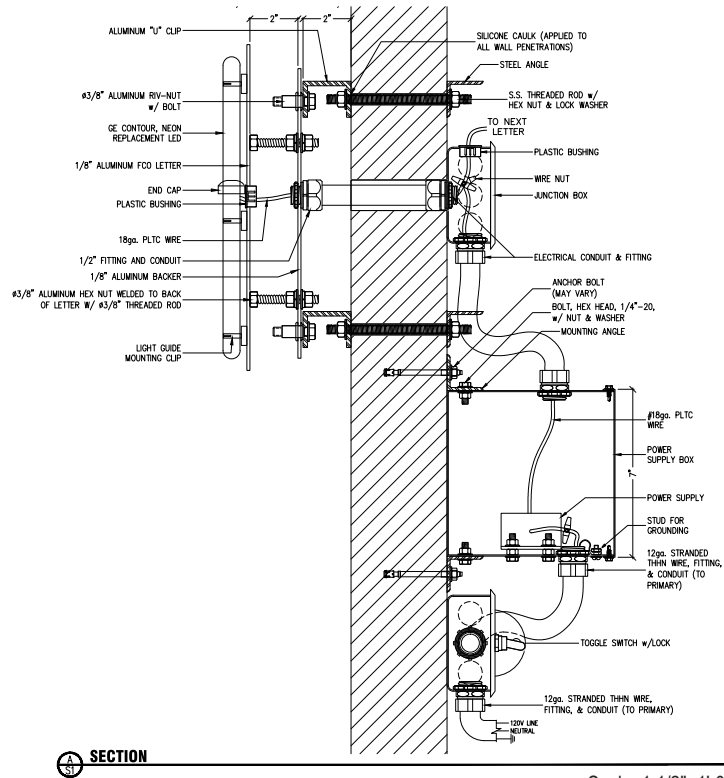
Location: 306 Lincoln Road
Miami Beach, FL
File Path: Active\ACCOUNTS\CVS pharmacy\Locations 2016\751_General\751_5010_Miami Beach_FL_Layouts_R9.cdr

Proj #: 751
Loc #: 5010



Drawing prepared for:

| Rev #: | Req#: | Date: | Req. By: | Drawn By: | Revision Description: | Drawings are the exclusive property of ICON. Any unauthorized use or duplication is not permitted. |
|----------|--------|----------|----------|-----------|---|--|
| Original | 260985 | 10/30/17 | ML | ANS | | |
| Rev 1 | 000000 | 00/00/00 | XXX | XXX | | |
| Rev 2 | 265190 | 01/11/18 | ML | ANS | Updated per comment | Rev #: 322460 01/27/20 AM ANS |
| Rev 3 | 267865 | 02/16/18 | ML | ANS | Updated LED layout | Rev 8 325394 04/17/20 AM ANS |
| Rev 4 | 311159 | 03/29/19 | SJ | ANS | Updated to GE layouts and added engineering | Rev 9 336984 03/07/21 AM ANS |
| Rev 5 | 000000 | 00/00/00 | SJ | ANS | Added existing sqft and cover sheet | Rev 10 000000 00/00/00 XXX XXX |
| Rev 6 | 311277 | 04/02/19 | SJ | ANS | Added aerial and border tube replacement | Pg. |



SECTION

Scale: 1 1/2"=1'-0"

| SECTION | ANCHOR TYPE | WALL TYPE |
|---------|--|--|
| | #1/2" SLEEVE ANCHOR (#3/8" BOLT), 2" MINIMUM EMBEDMENT | CMU, BRICK |
| | #3/8" EXPANSION ANCHOR, 2 1/2" MINIMUM EMBEDMENT | PRE-CAST CONCRETE, CONCRETE |
| | #3/8" LAG BOLT, 3" MINIMUM EMBEDMENT | WOOD BLOCKING |
| | #3/8" THREADED ROD | WOOD, CONCRETE BLOCK, EFS WALL SYSTEMS |
| | #3/8" THREADED ROD w/ ALUMINUM OR PVC COMPRESSION SLEEVE | EFS WALL w/ FOAM INSULATION |
| | #3/8" PIVOTING TOGGLE BOLT | 5/8" THICK MIN. PLYWOOD |

MOUNTING OPTIONS

SCALE: N.T.S.

Drawing prepared by:

SIGN 2

Drawing prepared for:



Location:
306 Lincoln Road
Miami Beach, FL

Proj #:
751

Loc #:
5010

File Path:
Active\ACCOUNTS\CVS pharmacy\Locations 2016\751_General\751_5010_Miami Beach_FL_Layouts_R9.cdr



| Rev #: | Req#: | Date: | Req. By: | Drawn By: | Revision Description: | Drawings are the exclusive property of ICON. Any unauthorized use or duplication is not permitted. |
|----------|--------|----------|----------|-----------|---|--|
| Original | 260985 | 10/30/17 | ML | ANS | | |
| Rev 1 | 000000 | 00/00/00 | XXX | XXX | | |
| Rev 2 | 265190 | 01/11/18 | ML | ANS | Updated per comment | Rev #: 322460 01/27/20 AM ANS |
| Rev 3 | 267865 | 02/16/18 | ML | ANS | Updated LED layout | Rev 8 325394 04/17/20 AM ANS |
| Rev 4 | 311159 | 03/29/19 | SJ | ANS | Updated to GE layouts and added engineering | Rev 9 336984 03/07/21 AM ANS |
| Rev 5 | 000000 | 00/00/00 | SJ | ANS | Added existing sqft and cover sheet | Rev 10 000000 00/00/00 XXX XXX |
| Rev 6 | 311277 | 04/02/19 | SJ | ANS | Added aerial and border tube replacement | Pg. |

424 9/16" (35'-4 9/16")

4'-9 5/16"

10'-4 1/8"

18'-10 11/16"

5"

45 1/8"



CUSTOM OPEN FACED CHANNEL LETTERS WITH GE TETRA CONTOUR LED TUBES

- QTY: 1
- Inside of channel letter can painted to match CVS Red PMS 186 C.
- Brushed aluminum channel letter returns and trip cap.
- Clear acrylic faces.
- Replace all boarder neon tubes with GE TETRA CONTOUR LED tubes.

SCALE: 1/4"=1'-0"



EXISTING (60" x 41'-8 1/4" = 208.43 SqFt)



PROPOSED

Drawing prepared by:

SIGN 3

Drawing prepared for:



Location: 306 Lincoln Road
Miami Beach, FL

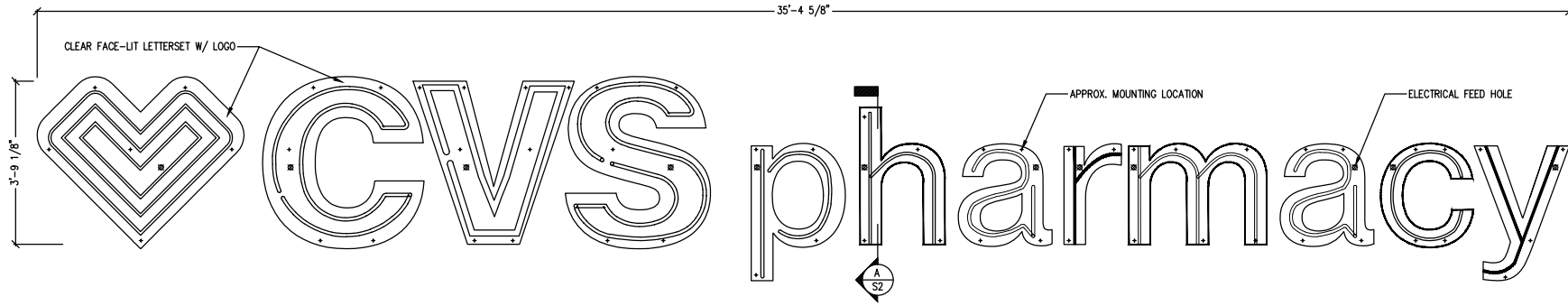
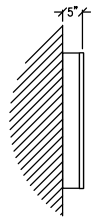
Proj #: 751

Loc #: 5010

File Path: Active\ACCOUNTS\C\CVS pharmacy\Locations 2016\751_General\751_5010_Miami Beach_FL_Layouts_R9.cdr



| Rev #: | Req#: | Date: | Req. By: | Drawn By: | Revision Description: | Drawings are the exclusive property of ICON. Any unauthorized use or duplication is not permitted. |
|----------|--------|----------|----------|-----------|---|--|
| Original | 260985 | 10/30/17 | ML | ANS | | |
| Rev 1 | 000000 | 00/00/00 | XXX | XXX | | |
| Rev 2 | 265190 | 01/11/18 | ML | ANS | Updated per comment | Rev #: 322460 01/27/20 AM ANS |
| Rev 3 | 267865 | 02/16/18 | ML | ANS | Updated LED layout | Rev 8 325394 04/17/20 AM ANS |
| Rev 4 | 311159 | 03/29/19 | SJ | ANS | Updated to GE layouts and added engineering | Rev 9 336984 03/07/21 AM ANS |
| Rev 5 | 000000 | 00/00/00 | SJ | ANS | Added existing sqft and cover sheet | Rev 10 000000 00/00/00 XXX XXX |
| Rev 6 | 311277 | 04/02/19 | SJ | ANS | Added aerial and border tube replacement | Pg. |



ELEVATIONS

Scale: 1/4"=1'-0"

| WEIGHT | |
|---|---------|
| ESTIMATED SIGN WEIGHT: | 665 Lb. |
| SIGN INTERIOR TO BE PAINTED FLAT WHITE FOR MAXIMUM REFLECTIVITY | |
| USE WHITE SILICONE TO CONCEAL LIGHT LEAKS | |
| TOLERANCE: ± 1/16" ON ALL DIMENSIONS | |

THIS SIGN TO BEAR THIS MARK

DESIGN LOADS:
175 MPH WIND LOAD
RISK CATEGORY II, EXPOSURE C.
FLORIDA BUILDING CODE 6TH EDITION (2017)

THIS SIGN IS INTENDED TO BE INSTALLED IN ACCORDANCE WITH THE REQUIREMENTS OF ARTICLE 600 OF THE NATIONAL ELECTRICAL CODE AND/OR OTHER APPLICABLE LOCAL CODES. THIS INCLUDES PROPER GROUNDING AND BONDING OF SIGN.

| ELECTRICAL | |
|--------------|--|
| (ESTIMATE) | |
| LEDs | (138ft.) GE, TETRA CONTOUR RED, GEXNRD-1, 18 UNITS |
| POWER SUPPLY | (3) GEPS24-100-NA (GE) |
| AMPS | 3.3 |
| V.A. | 120 VOLTS WATTS 396 |
| CIRCUITS | 1-20 AMP |

Drawing prepared by:

SIGN 3

Drawing prepared for:

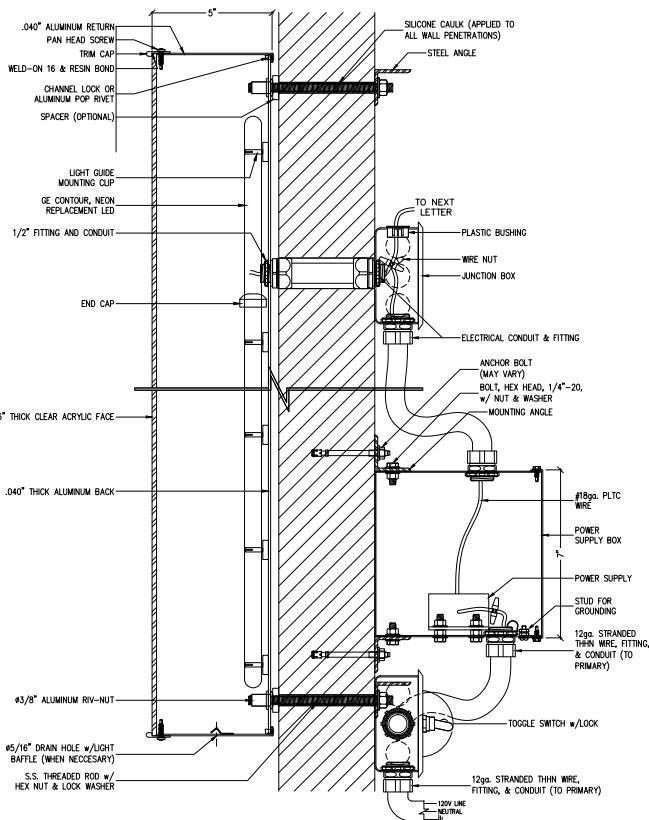


Location: 306 Lincoln Road
Miami Beach, FL
File Path: Active\ACCOUNTS\C\CVS pharmacy\Locations 2016\751_General\751_5010_Miami Beach_FL_Layouts_R9.cdr

Proj #: 751
Loc #: 5010



| Rev #: | Req#: | Date: | Req. By: | Drawn By: | Revision Description: | Drawings are the exclusive property of ICON. Any unauthorized use or duplication is not permitted. |
|----------|--------|----------|----------|-----------|---|--|
| Original | 260985 | 10/30/17 | ML | ANS | | |
| Rev 1 | 000000 | 00/00/00 | XXX | XXX | | |
| Rev 2 | 265190 | 01/11/18 | ML | ANS | Updated per comment | Rev #: 322460 01/27/20 AM ANS |
| Rev 3 | 267865 | 02/16/18 | ML | ANS | Updated LED layout | Rev 8 325394 04/17/20 AM ANS |
| Rev 4 | 311159 | 03/29/19 | SJ | ANS | Updated to GE layouts and added engineering | Rev 9 336984 03/07/21 AM ANS |
| Rev 5 | 000000 | 00/00/00 | SJ | ANS | Added existing sqft and cover sheet | Rev 10 000000 00/00/00 XXX XXX |
| Rev 6 | 311277 | 04/02/19 | SJ | ANS | Added aerial and border tube replacement | Pg. |



SECTION

Scale: 1 1/2"=1'-0"

| SECTION | ANCHOR TYPE | WALL TYPE |
|---------|--|--|
| | #1/2" SLEEVE ANCHOR (#3/8" BOLT), 2" MINIMUM EMBEDMENT | CMU, BRICK |
| | #3/8" EXPANSION ANCHOR, 2 1/2" MINIMUM EMBEDMENT | PRE-CAST CONCRETE, CONCRETE |
| | #3/8" LAG BOLT, 3" MINIMUM EMBEDMENT | WOOD BLOCKING |
| | #3/8" THREADED ROD | WOOD, CONCRETE BLOCK, EPS WALL SYSTEMS |
| | #3/8" THREADED ROD w/ ALUMINUM OR PVC COMPRESSION SLEEVE | EPS WALL w/ FOAM INSULATION |
| | #3/8" PIVOTING TOGGLE BOLT | 5/8" THICK MIN. PLYWOOD |

MOUNTING OPTIONS

SCALE: N.T.S.

Drawing prepared by:

SIGN 3

Drawing prepared for:



Stratus™

Location: 306 Lincoln Road
Miami Beach, FL
File Path: Active\ACCOUNTS\CVS pharmacy\Locations 2016\751_General\751_5010_Miami Beach_FL_Layouts_R9.cdr

Proj #: 751
Loc #: 5010



| Rev #: | Req#: | Date: | Req. By: | Drawn By: | Revision Description: | Drawings are the exclusive property of ICON. Any unauthorized use or duplication is not permitted. |
|----------|--------|----------|----------|-----------|---|--|
| Original | 260985 | 10/30/17 | ML | ANS | | |
| Rev 1 | 000000 | 00/00/00 | XXX | XXX | | |
| Rev 2 | 265190 | 01/11/18 | ML | ANS | Updated per comment | Rev #: 322460 01/27/20 AM ANS |
| Rev 3 | 267865 | 02/16/18 | ML | ANS | Updated LED layout | Rev 8 325394 04/17/20 AM ANS |
| Rev 4 | 311159 | 03/29/19 | SJ | ANS | Updated to GE layouts and added engineering | Rev 9 336984 03/07/21 AM ANS |
| Rev 5 | 000000 | 00/00/00 | SJ | ANS | Added existing sqft and cover sheet | Rev 10 000000 00/00/00 XXX XXX |
| Rev 6 | 311277 | 04/02/19 | SJ | ANS | Added aerial and border tube replacement | Pg. |



22 1/2" LED ILLUMINATED CVSPHARMACY CHANNEL LETTERS

QTY: 1

SCALE: 3/8"=1'-0"



EXISTING (18" x 12'-6" = 18.79 SqFt)



PROPOSED

Drawing prepared by:

SIGN 4

Drawing prepared for:



Location:
306 Lincoln Road
Miami Beach, FL

Proj #:
751

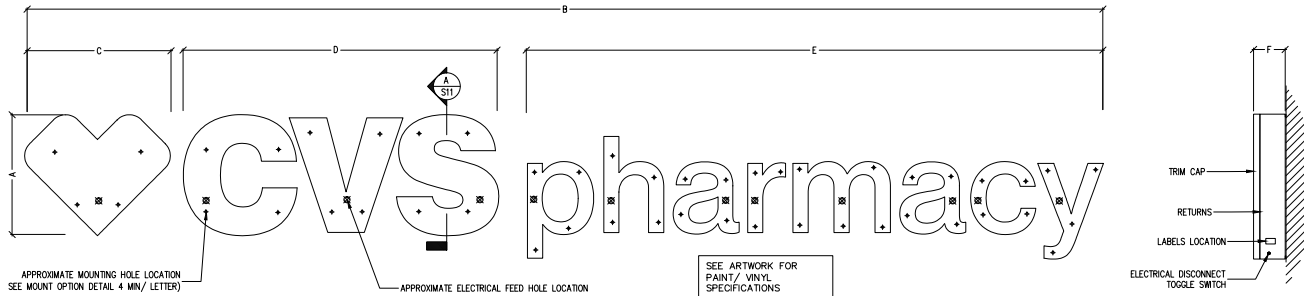
Loc #:
5010

File Path:
Active\ACCOUNTS\C\CVS pharmacy\Locations 2016\751_General\751_5010_Miami Beach_FL_Layouts_R9.cdr



| Rev #: | Req#: | Date: | Req. By: | Drawn By: | Revision Description: | Rev #: | Req#: | Date: | Req. By: | Drawn By: |
|----------|--------|----------|----------|-----------|---|--------|--------|----------|----------|-----------|
| Original | 260985 | 10/30/17 | ML | ANS | | | | | | |
| Rev 1 | 000000 | 00/00/00 | XXX | XXX | | | | | | |
| Rev 2 | 265190 | 01/11/18 | ML | ANS | Updated per comment | Rev 7 | 322460 | 01/27/20 | AM | ANS |
| Rev 3 | 267865 | 02/16/18 | ML | ANS | Updated LED layout | Rev 8 | 325394 | 04/17/20 | AM | ANS |
| Rev 4 | 311159 | 03/29/19 | SJ | ANS | Updated to GE layouts and added engineering | Rev 9 | 336984 | 03/07/21 | AM | ANS |
| Rev 5 | 000000 | 00/00/00 | SJ | ANS | Added existing sqft and cover sheet | Rev 10 | 000000 | 00/00/00 | XXX | XXX |
| Rev 6 | 311277 | 04/02/19 | SJ | ANS | Added aerial and border tube replacement | | | | | Pg. |

Drawings are the exclusive property of ICON. Any unauthorized use or duplication is not permitted.



ELEVATION

SCALE: N/A

| TYPE | A | B | C | D | E | F | SQ.FT |
|------------|---------|--------------|------------|-----------|------------|----|-------|
| IL-22-CL-L | 22 1/2" | 17'-7 11/16" | 2'-4 9/16" | 5'-1 7/8" | 9'-5 1/16" | 5" | 33.08 |

SPECIFICATIONS

- INTERNALLY ILLUMINATED CHANNEL LETTERS (HORIZONTAL)
- CHEMCAST 3/16" RED ACRYLIC FACES #2793
- 5" DEEP PRE-FINISHED HUNTER RED RETURNS
- 1" JEWELITE TRUE RED TRIM CAP
- *ANY CHANNEL LETTER SET BELOW 30" TO HAVE 3/4" TRIM CAP
- RED LED ILLUMINATION
- POWER SUPPLIES
- MOUNTED TO EXISTING FASCIA AS REQUIRED

COLORS AND MATERIALS

- CHEMCAST RED ACRYLIC #2793
- JEWELITE TRUE RED TRIM CAP
- PRE-FINISHED HUNTER RED RETURNS

GENERAL REQUIREMENTS

- ALL LETTER SETS REQUIRE A UL LABEL
- LETTERS ARE DESIGNED TO MEET 2015 INTERNATIONAL BUILDING CODE ASCE 7-10 (115 MPH EXPOSURE C)
- LETTERS TO BE INSTALLED ACCORDING TO NEC AND/OR APPLICABLE LOCAL CODES
- THE DISCONNECT MUST BE PLACED IN DIRECT VIEW OF THE SIGN

| WALL TYPE | CMU, BRICK | PRE-CAST CONCRETE, CONCRETE | WOOD BLOCKING, PLYWOOD | EIFS WALL W/ FOAM INSULATION | GLASS MATTE SHEATHING, PLYWOOD |
|-------------|---|---|------------------------|--|---------------------------------------|
| SECTION | | | | | |
| ANCHOR TYPE | ø1/2" SLEEVE ANCHOR (ø3/8" BOLT), 5" MIN. EMBEDMENT | ø3/8" EXPANSION ANCHOR, 5" MIN. EMBEDMENT | ø3/8" LAG BOLT | ø3/8" THREADED ROD W/ ALUMINUM OR PVC COMPRESSION SLEEVE | ø3/8" TOGGLE BOLT (WING OR PIVOT ROD) |

MOUNTING OPTIONS

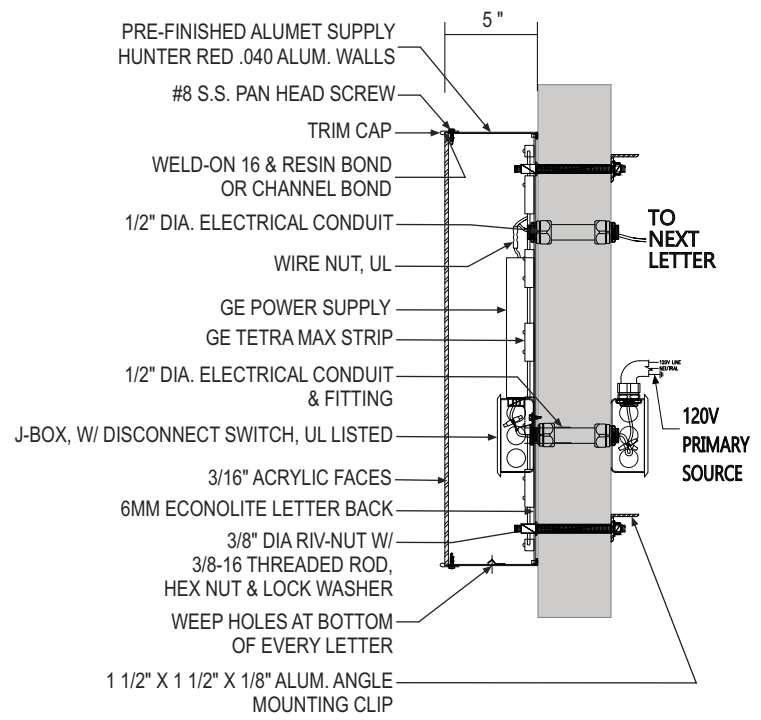
SCALE: N.T.S.

SIGN INTERIOR TO BE PAINTED FLAT WHITE FOR MAXIMUM REFLECTIVITY

USE WHITE SILICONE TO CONCEAL LIGHT LEAKS

THIS SIGN TO BEAR THIS MARK

THIS SIGN IS INTENDED TO BE INSTALLED IN ACCORDANCE WITH THE REQUIREMENTS OF ARTICLE 600 OF THE NATIONAL ELECTRICAL CODE AND/OR OTHER APPLICABLE LOCAL CODES. THIS INCLUDES PROPER GROUNDING AND BONDING OF SIGN.



TYPICAL SECTION - FACE LIT LETTER FLUSH MOUNT & SELF CONTAINED

SCALE: N.T.S.

Drawing prepared by: **SIGN 4**

Location: 306 Lincoln Road, Miami Beach, FL

File Path: Active\ACCOUNTS\CVS pharmacy\Locations 2016\751_General\751_5010_Miami Beach_FL_Layouts_R9.cdr

Proj #: 751

Loc #: 5010



| Rev #: | Req#: | Date: | Req. By: | Drawn By: | Revision Description: | Drawings are the exclusive property of ICON. Any unauthorized use or duplication is not permitted. |
|----------|--------|----------|----------|-----------|---|--|
| Original | 260985 | 10/30/17 | ML | ANS | | |
| Rev 1 | 000000 | 00/00/00 | XXX | XXX | | |
| Rev 2 | 265190 | 01/11/18 | ML | ANS | Updated per comment | Rev #: 322460 01/27/20 AM ANS |
| Rev 3 | 267865 | 02/16/18 | ML | ANS | Updated LED layout | Rev 8 325394 04/17/20 AM ANS |
| Rev 4 | 311159 | 03/29/19 | SJ | ANS | Updated to GE layouts and added engineering | Rev 9 336984 03/07/21 AM ANS |
| Rev 5 | 000000 | 00/00/00 | SJ | ANS | Added existing sqft and cover sheet | Rev 10 000000 00/00/00 XXX XXX |
| Rev 6 | 311277 | 04/02/19 | SJ | ANS | Added aerial and border tube replacement | Pg. |

Replace existing neon border tubing with GE TETRA CONTOUR LED border tubing



EXISTING (Neon Border Tubing)



PROPOSED

Drawing prepared by:

SIGN 5

Drawing prepared for:

Location:
306 Lincoln Road
Miami Beach, FL

Proj #:
751

Loc #:
5010



File Path:
Active\ACCOUNTS\C\CVS pharmacy\Locations 2016\751_General\751_5010_Miami Beach_FL_Layouts_R9.cdr

| Rev #: | Req#: | Date: | Req. By: | Drawn By: | Revision Description: | Drawings are the exclusive property of ICON. Any unauthorized use or duplication is not permitted. | | | | |
|----------|--------|----------|----------|-----------|---|--|--------|----------|----------|-----------|
| Original | 260985 | 10/30/17 | ML | ANS | | | | | | |
| Rev 1 | 000000 | 00/00/00 | XXX | XXX | | | | | | |
| Rev 2 | 265190 | 01/11/18 | ML | ANS | Updated per comment | Rev #: | Req#: | Date: | Req. By: | Drawn By: |
| Rev 3 | 267865 | 02/16/18 | ML | ANS | Updated LED layout | Rev 7 | 322460 | 01/27/20 | AM | ANS |
| Rev 4 | 311159 | 03/29/19 | SJ | ANS | Updated to GE layouts and added engineering | Rev 8 | 325394 | 04/17/20 | AM | ANS |
| Rev 5 | 000000 | 00/00/00 | SJ | ANS | Added existing sqft and cover sheet | Rev 9 | 336984 | 03/07/21 | AM | ANS |
| Rev 6 | 311277 | 04/02/19 | SJ | ANS | Added aerial and border tube replacement | Rev 10 | 000000 | 00/00/00 | XXX | XXX |
| | | | | | | | | | | Pg. |

