



DEPARTMENT OF REGULATORY AND ECONOMIC RESOURCES (RER)
BOARD AND CODE ADMINISTRATION DIVISION
NOTICE OF ACCEPTANCE (NOA)

MIAMI-DADE COUNTY
PRODUCT CONTROL SECTION
11805 SW 26 Street, Room 208
Miami, Florida 33175-2474
T (786) 315-2590 F (786) 315-2599
www.miamidade.gov/economy

BP Glass Garage Doors & Entry Systems, Inc.
1511 W. 2nd St.
Pomona, CA 91766

SCOPE:

This NOA is being issued under the applicable rules and regulations governing the use of construction materials. The documentation submitted has been reviewed and accepted by Miami-Dade County RER-Product Control Section to be used in Miami Dade County and other areas where allowed by the Authority Having Jurisdiction (AHJ).

This NOA shall not be valid after the expiration date stated below. The Miami-Dade County Product Control Section (In Miami Dade County) and/or the AHJ (in areas other than Miami Dade County) reserve the right to have this product or material tested for quality assurance purposes. If this product or material fails to perform in the accepted manner, the manufacturer will incur the expense of such testing and the AHJ may immediately revoke, modify, or suspend the use of such product or material within their jurisdiction. RER reserves the right to revoke this acceptance, if it is determined by Miami-Dade County Product Control Section that this product or material fails to meet the requirements of the applicable building code.

This product is approved as described herein, and has been designed to comply with the Florida Building Code, including the High Velocity Hurricane Zone.

DESCRIPTION: Models BP-350/BP-450 HD Glazed Aluminum Sectional Garage Door up to 18'-0" Wide x 8'-0" Height

APPROVAL DOCUMENT: Drawing No. BPC003, titled "BP-350/450 HD Glass Garage Door", sheets 1 through 7 of 7, dated 06/01/2009, with revision C dated 01/05/2016, prepared by Building Drops, Inc., signed and sealed by Hermes F. Norero, P.E., bearing the Miami-Dade County Product Control revision stamp with the Notice of Acceptance number and expiration date by the Miami-Dade County Product Control Section.

MISSILE IMPACT RATING: Large and Small Missile Impact Resistant

LABELING: A permanent label with the manufacturer's name or logo, manufacturing address, model number, the positive and negative design pressure rating, indicate impact rated if applicable, installation instruction drawing reference number, approval number (NOA), the applicable test standards, and the statement reading 'Miami-Dade County Product Control Approved' is to be located on the door's side track, bottom angle, or inner surface of a panel.

RENEWAL of this NOA shall be considered after a renewal application has been filed and there has been no change in the applicable building code negatively affecting the performance of this product.

TERMINATION of this NOA will occur after the expiration date or if there has been a revision or change in the materials, use, and/or manufacture of the product or process. Misuse of this NOA as an endorsement of any product, for sales, advertising or any other purposes shall automatically terminate this NOA. Failure to comply with any section of this NOA shall be cause for termination and removal of NOA.

ADVERTISEMENT: The NOA number preceded by the words Miami-Dade County, Florida, and followed by the expiration date may be displayed in advertising literature. If any portion of the NOA is displayed, then it shall be done in its entirety.

INSPECTION: A copy of this entire NOA shall be provided to the user by the manufacturer or its distributors and shall be available for inspection at the job site at the request of the Building Official.

This NOA **renews and revises** NOA # 14-0211.09 and consists of this page 1 and evidence page E-1, as well as approval document mentioned above.

The submitted documentation was reviewed by **Carlos M. Utrera, P.E.**



Handwritten signature and date:
06/13/2016

NOA No. 16-0314.09
Expiration Date: January 17, 2021
Approval Date: June 23, 2016
Page 1

NOTICE OF ACCEPTANCE: EVIDENCE SUBMITTED

A. DRAWINGS

1. Drawing No. **BPC003**, titled "BP-350/450 HD Glass Garage Door", sheets 1 through 7 of 7, dated 06/01/2009, with revision C dated 01/05/2016, prepared by Building Drops, Inc., signed and sealed by Hermes F. Norero, P.E.

B. TESTS "*Submitted under NOA # 10-0802.02*"

1. Test reports on 1) Uniform Static Air Pressure Test, Loading per FBC, TAS 202-94
2) Large Missile Impact Test per FBC, TAS 201-94
3) Cyclic Wind Pressure Loading per FBC, TAS 203-94
4) Forced Entry Test, per FBC 2411 3.2.1, TAS 202-94
along with installation diagram on three Series/Model BP-350/ BP-450 HD Hurricane Line, glazed sectional garage doors, prepared by Architectural Testing, Inc, Test Report No. **97392.03-301-18**, dated 06/04/2010, with Revision 2 dated 11/03/2010, signed and sealed by Joseph A. Reed, P.E.

C. CALCULATIONS

1. Anchor calculations prepared by Building Drops, Inc., dated 01/05/2016, signed and sealed by Hermes F. Norero, P.E.

"Submitted under NOA # 14-0211.09"
2. Product evaluation report prepared by Building Drops, Inc., dated 01/07/2014, signed and sealed by Hermes F. Norero, P.E.

"Submitted under NOA # 12-0124.03"
3. Product evaluation report, complying with FBC-2007 and 2010, prepared by Building Drops, dated 01/13/2012, signed and sealed by Alexis Spyrou, P.E.

D. QUALITY ASSURANCE

1. Miami-Dade Department of Regulatory and Economic Resources (RER)

E. MATERIAL CERTIFICATIONS

1. None.

F. STATEMENTS

1. Statement letter of code conformance to the 5th edition (2014) FBC and of no financial interest, issued by Building Drops, Inc., dated 01/05/2016, signed and sealed by Hermes F. Norero, P.E.

"Submitted under NOA # 14-0211.09"
2. Statement letter of code conformance to 2010 FBC and no financial interest, issued by Building Drops, Inc., dated 09/23/2013, signed and sealed by Hermes F. Norero, P.E.


06/13/2016

Carlos M. Utrera, P.E.
Product Control Examiner
NOA No. 16-0314.09
Expiration Date: January 17, 2021
Approval Date: June 23, 2016

BP-GLASS GARAGE DOORS & ENTRY SYSTEMS, INC.

BP-350/450 HD

GLASS GARAGE DOOR (U.S. PAT.) - HURRICANE SYSTEM

INSTALLATION NOTES:

- ONE (1) INSTALLATION ANCHOR IS REQUIRED AT EACH ANCHOR LOCATION SHOWN UNLESS OTHERWISE STATED.
- THE NUMBER OF INSTALLATION ANCHORS DEPICTED IS THE MINIMUM NUMBER OF ANCHORS TO BE USED FOR PRODUCT INSTALLATION.
- INSTALL INDIVIDUAL INSTALLATION ANCHORS WITHIN A TOLERANCE OF ±1/2 INCH OF THE DEPICTED LOCATION IN THE ANCHOR LAYOUT DETAIL (I.E., WITHOUT CONSIDERATION OF TOLERANCES). TOLERANCES ARE NOT CUMULATIVE FROM ONE INSTALLATION ANCHOR TO THE NEXT.
- SHIM AS REQUIRED AT EACH INSTALLATION ANCHOR WITH LOAD BEARING SHIM(S). MAXIMUM ALLOWABLE SHIM STACK TO BE 1/4 INCH. SHIM WHERE SPACE OF 1/16 INCH OR GREATER OCCURS. SHIM(S) SHALL BE CONSTRUCTED OF HIGH DENSITY PLASTIC OR BETTER.
- FOR INSTALLATION INTO WOOD FRAMING USE 3/8 INCH LAG SCREWS OF SUFFICIENT LENGTH TO ACHIEVE 3 INCH MINIMUM EMBEDMENT INTO WOOD SUBSTRATE.
- FOR INSTALLATION DIRECTLY INTO CONCRETE/MASONRY, SEE TABLES A-C (SHEET 5) FOR MINIMUM DIAMETER AND MINIMUM EMBEDMENT INFO.
- FOR INSTALLATION THROUGH STEEL STUD, USE 3/8 INCH DIAMETER STEEL BOLTS OF SUFFICIENT LENGTH TO ACHIEVE A MINIMUM OF THREE (3) THREADS OF PENETRATION BEYOND STEEL STRUCTURE.
- MINIMUM EMBEDMENT AND EDGE DISTANCE EXCLUDE WALL FINISHES, INCLUDING BUT NOT LIMITED TO STUCCO, FOAM, BRICK VENEER, AND SIDING.
- INSTALLATION ANCHORS AND ASSOCIATED HARDWARE MUST BE MADE OF CORROSION RESISTANT MATERIAL OR HAVE A CORROSION RESISTANT COATING.
- FOR HOLLOW BLOCK AND GROUT FILLED BLOCK, DO NOT INSTALL INSTALLATION ANCHORS INTO MORTAR JOINTS. EDGE DISTANCE IS MEASURED FROM FREE EDGE OF BLOCK OR EDGE OF MORTAR JOINT INTO FACE SHELL OF BLOCK.
- INSTALLATION ANCHORS SHALL BE INSTALLED IN ACCORDANCE WITH ANCHOR MANUFACTURER'S INSTALLATION INSTRUCTIONS, AND ANCHORS SHALL NOT BE USED IN SUBSTRATES WITH STRENGTHS LESS THAN THE MINIMUM STRENGTH SPECIFIED BY THE ANCHOR MANUFACTURER.
- INSTALLATION ANCHOR CAPACITIES FOR PRODUCTS HEREIN ARE BASED ON SUBSTRATE MATERIALS WITH THE FOLLOWING PROPERTIES:
 - WOOD - MINIMUM SPECIFIC GRAVITY OF 0.55.
 - CONCRETE - MINIMUM COMPRESSIVE STRENGTH OF 3000 PSI.
 - GROUT-FILLED CMU - UNIT STRENGTH CONFORMS TO ASTM C-90 & GROUT CONFORMS TO ASTM C 476. GROUT SHALL HAVE MINIMUM COMPRESSIVE STRENGTH OF 2000 PSI. SEE FBC SECTION 2.105.2.2.1.2 (3) FOR GROUTED MASONRY REQUIREMENTS..
 - STEEL - MINIMUM YIELD STRENGTH OF 33 KSI. MINIMUM WALL THICKNESS OF 118 MILS (11 GAUGE)

GENERAL NOTES:

- THE PRODUCT SHOWN HEREIN IS DESIGNED AND MANUFACTURED TO COMPLY WITH THE 5TH EDITION FLORIDA BUILDING CODE (FBC), INCLUDING HVHZ AND HAS BEEN EVALUATED ACCORDING TO THE FOLLOWING:
 - TAS 201-94
 - TAS 202-94
 - TAS 203-94
- ADEQUACY OF THE EXISTING STRUCTURAL CONCRETE/MASONRY AND 4X FRAMING AS A MAIN WIND FORCE RESISTING SYSTEM CAPABLE OF WITHSTANDING AND TRANSFERRING APPLIED PRODUCT LOADS TO THE FOUNDATION IS THE RESPONSIBILITY OF THE ENGINEER OR ARCHITECT OF RECORD FOR THE PROJECT OF INSTALLATION.
- 4X BUCKS (WHEN USED) SHALL BE DESIGNED AND ANCHORED TO PROPERLY TRANSFER ALL LOADS TO THE STRUCTURE. BUCK DESIGN AND INSTALLATION IS THE RESPONSIBILITY OF THE ENGINEER OR ARCHITECT OF RECORD FOR THE PROJECT OF INSTALLATION.
- THE INSTALLATION DETAILS DESCRIBED HEREIN ARE GENERIC AND MAY NOT REFLECT ACTUAL CONDITIONS FOR A SPECIFIC SITE. IF SITE CONDITIONS CAUSE INSTALLATION TO DEVIATE FROM THE REQUIREMENTS DETAILED HEREIN, A LICENSED ENGINEER OR ARCHITECT SHALL PREPARE SITE SPECIFIC DOCUMENTS FOR USE WITH THIS DOCUMENT.
- APPROVED IMPACT PROTECTIVE SYSTEM **IS NOT REQUIRED** ON THIS PRODUCT IN AREAS REQUIRING IMPACT RESISTANCE.
- DOOR FRAME MATERIAL: ALUMINUM 6005-T5
- DISSIMILAR METALS INCLUDING FASTENERS THAT MAY COME INTO CONTACT WITH ALUMINUM UNIT FRAMING SHALL BE PROTECTED IN ACCORDANCE WITH THE 5TH EDITION FBC.
- GLASS MEETS THE REQUIREMENTS OF ASTM E 1300-04 GLASS CHARTS. SEE SHEET 3 FOR GLAZING DETAIL.
- EPDM GLAZING GASKET HAS BEEN TESTED IN ACCORDANCE WITH FBC 2411.3.4.
- BP HURRICANE SYSTEM IS PATENTED IN THE USA.

TABLE OF CONTENTS		
SHEET	REVISION	SHEET DESCRIPTION
1	C	INSTALLATION & GENERAL NOTES
2	C	ELEVATION, ANCHOR LAYOUT, & DETAILS
3	C	VERTICAL, HORIZONTAL SECTIONS & GLAZING DETAILS
4	C	HORIZONTAL SECTIONS
5	C	ANCHOR TABLES & BRACKET DETAIL
6	C	BILL OF MATERIALS & COMPONENTS
7	C	COMPONENTS

DESIGN PRESSURE RATING	
DESIGN PRESSURE - ALL SIZES	MISSILE IMPACT RATING
+65.0 / -65.0 PSF*	SMALL AND LARGE MISSILE IMPACT RATED

*REMOVABLE REINFORCEMENT REQUIRED

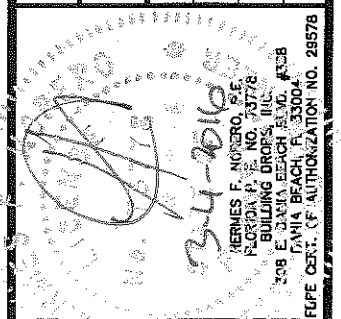
PRODUCT REVISED
as complying with the Florida
Building Code
Acceptance No 16-0314-09
Expiration Date 01/17/2021
by *[Signature]*
Miami Tech Product Control



BP-GLASS GARAGE DOORS & ENTRY SYSTEMS, INC.
1511 W. 2nd St.
Pomona, CA 91766
PH: (626) 442-1716 FX: (626) 579-5320
www.GlassGarageDoors.com

TITLE: BP-350/450 HD
GLASS GARAGE DOOR
(U.S. PAT.) - HURRICANE SYSTEM
INSTALLATION
& GENERAL NOTES
PREPARED BY:
BUILDING DROPS, INC.
398 E. DANIA BEACH BLVD. #338
DANIA BEACH, FL 33004
PH: (954) 399-8478 FX: (954) 744-4738

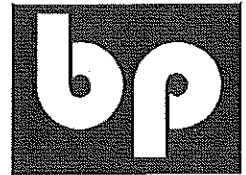
NO.	DESCRIPTION	BY	DATE
A	REVISIONS PER MD COMMENT	JLA	12.20.11
B	ANCHOR OPTIONS ADDED	TJM	10.4.13
C	5TH EDITION FBC UPDATES	SIM	1.5.16



DATE: 06.01.09
DWN BY: JLR
CHK BY: HFN
SCALE: NTS
DWG #: BPC003
SHEET: 1 OF 7

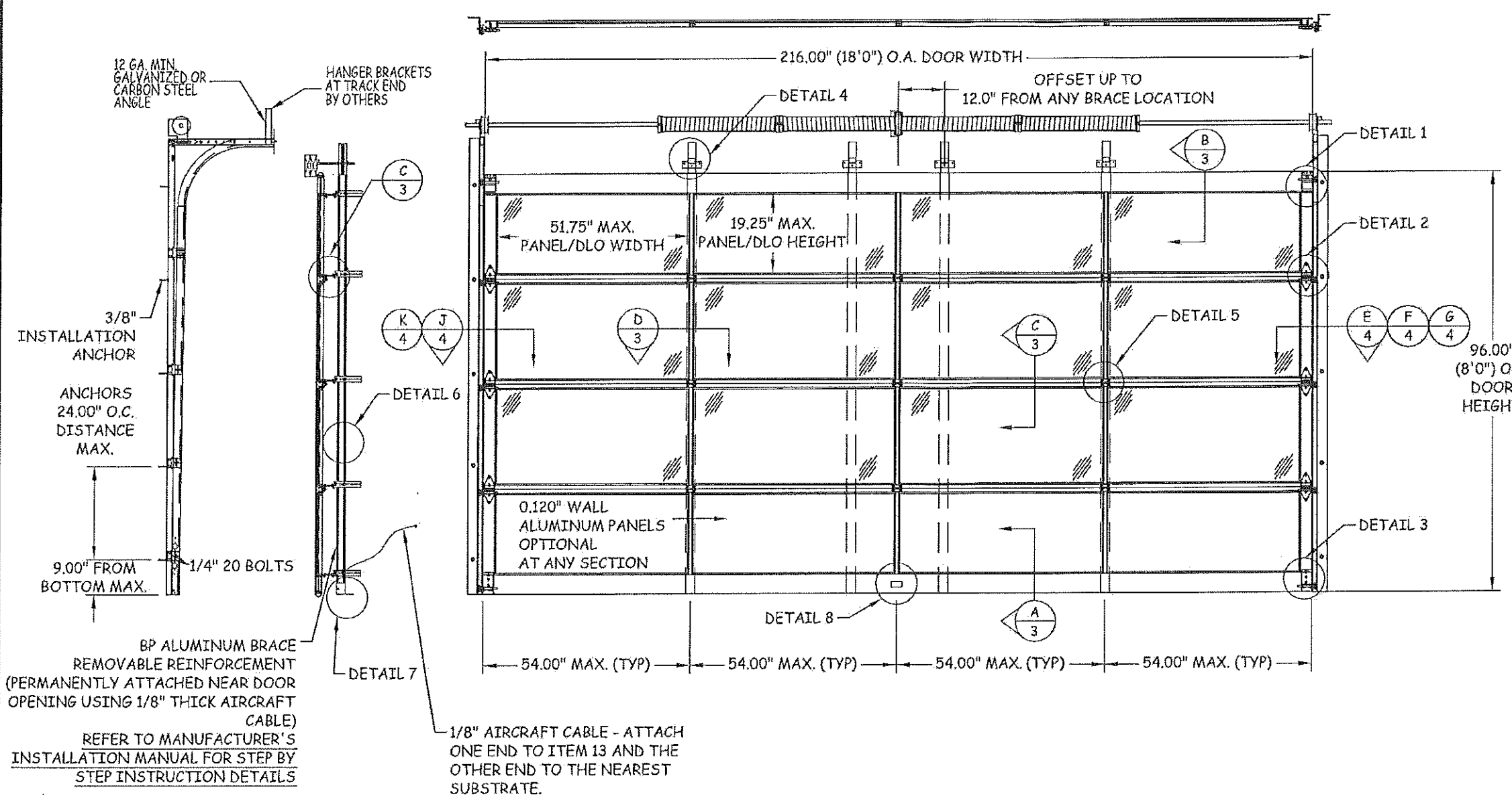
1/25/2016 8:57 AM

s:\projects\bp_glass_garage_doors & entry_systems\inc\loc-15-0731-fbc-2014 (version 5) _code_change\dwg\bp003.dwg



BP-GLASS GARAGE DOORS & ENTRY SYSTEMS, INC.
1511 W. 2nd St.
Pomona, CA 91766
PH: (626) 442-1716 FX: (626) 579-5320
www.GlassGarageDoors.com

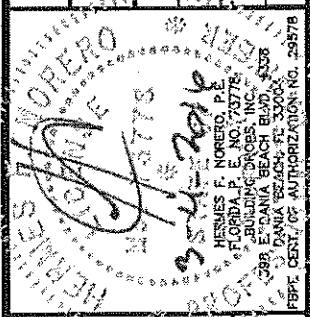
TITLE: BP-350/450 HD GLASS GARAGE DOOR (U.S. PAT.) - HURRICANE SYSTEM ELEVATION, ANCHOR LAYOUT, & DETAILS
PREPARED BY: BUILDING DROPS, INC. 398 E. DANIA BEACH BLVD. #338 DANIA BEACH, FL 33004
PH: (954) 399-8478 FX: (954) 744-4738



PRODUCT REVISED as complying with the Florida Building Code
Acceptance No 16-0314.09
Expiration Date 01/17/2021
By *[Signature]*
Miami Trade Product Control

REVISIONS	
NO.	DESCRIPTION
A	REVISIONS PER MD COMMENT
B	ANCHOR OPTIONS ADDED
C	5TH EDITION FBC UPDATES

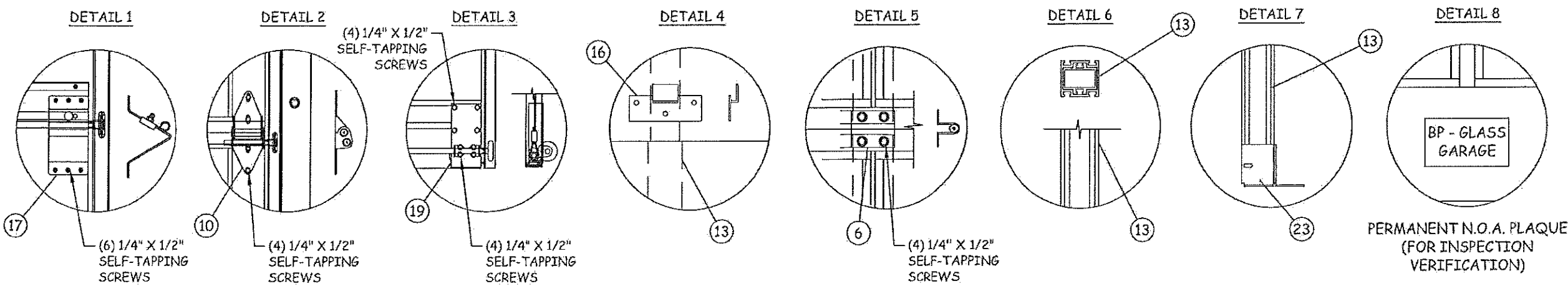
BY	DATE
JLA	12.20.11
TJM	10.4.13
STM	1.5.16



DATE: 06.01.09
DWN BY: JLR
CHK BY: HFN
SCALE: NTS
DWG #: BPC003
SHEET: 2 OF 7

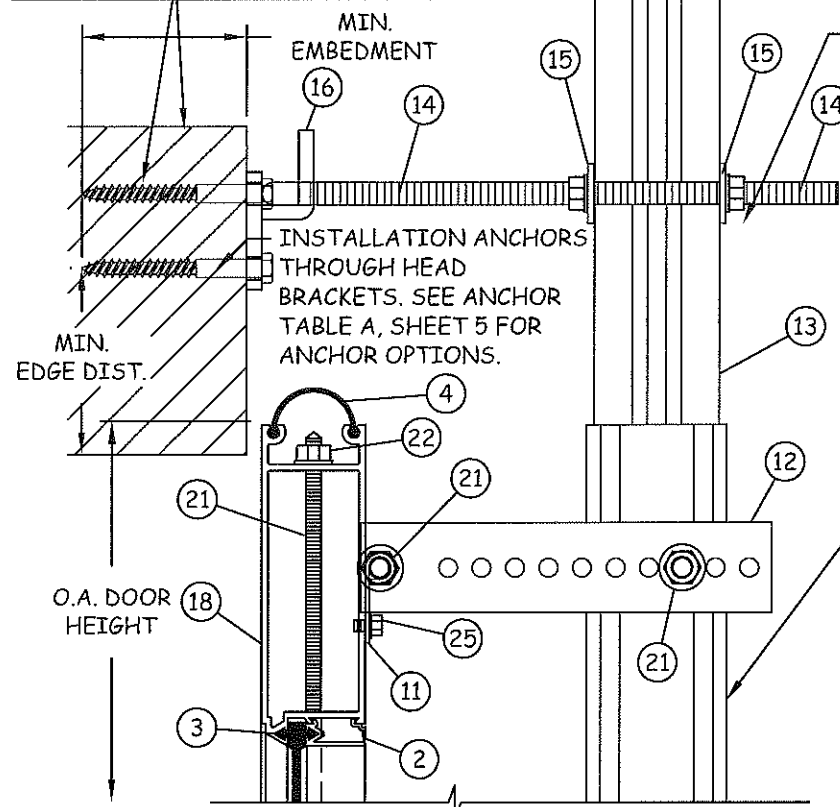
ANCHOR LAYOUT

INTERIOR ELEVATION



PERMANENT N.O.A. PLAQUE (FOR INSPECTION VERIFICATION)

NOTE: HEADER DETAIL CAN MATCH ANY OF THE JAMB AND/OR ANCHOR TYPES ON 4 OF 7.



B
3
VERTICAL SECTION
TOP RAIL

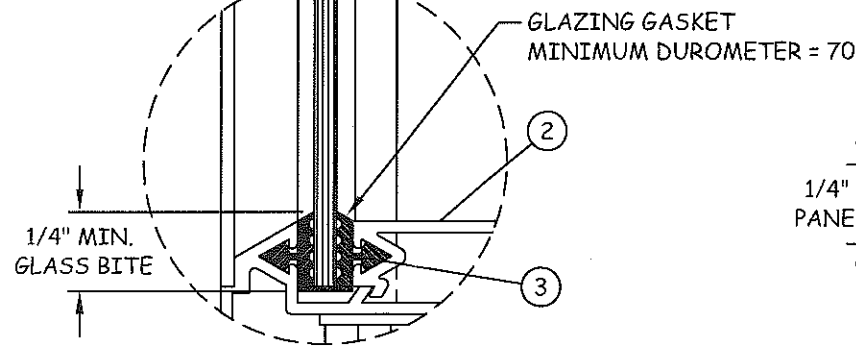
ITEM 14 AND 15 ARE ADJUSTED IN PLACE DURING FIRST INSTALLMENT, THEN REMAIN PERMANENTLY ATTACHED TO ITEM 13 THEREAFTER

ITEM 21 - THROUGH BOLT WITH WING NUT (SCREW IN FINGER TIGHT AND KEEP ATTACHED TO ITEM 12 DEFLECTION BRACKETS WHEN REMOVABLE REINFORCEMENT IS NOT IN USE)

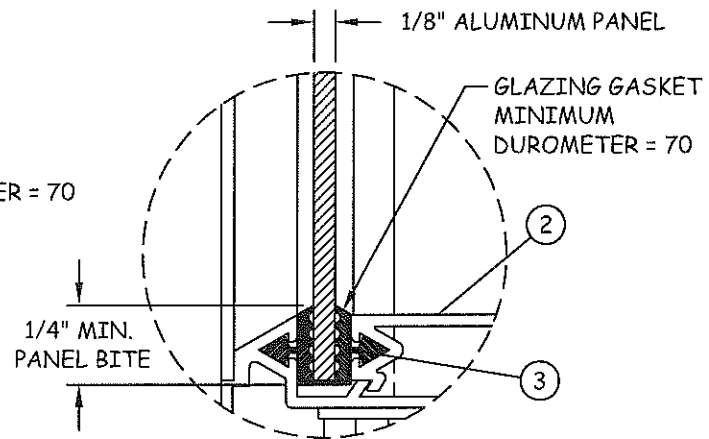
REFER TO MANUFACTURER'S INSTALLATION MANUAL FOR STEP BY STEP INSTRUCTION DETAILS ON REMOVABLE REINFORCEMENT

1/8" AIRCRAFT CABLE - ATTACH ONE END TO ITEM 13 AND THE OTHER END TO THE NEAREST SUBSTRATE.

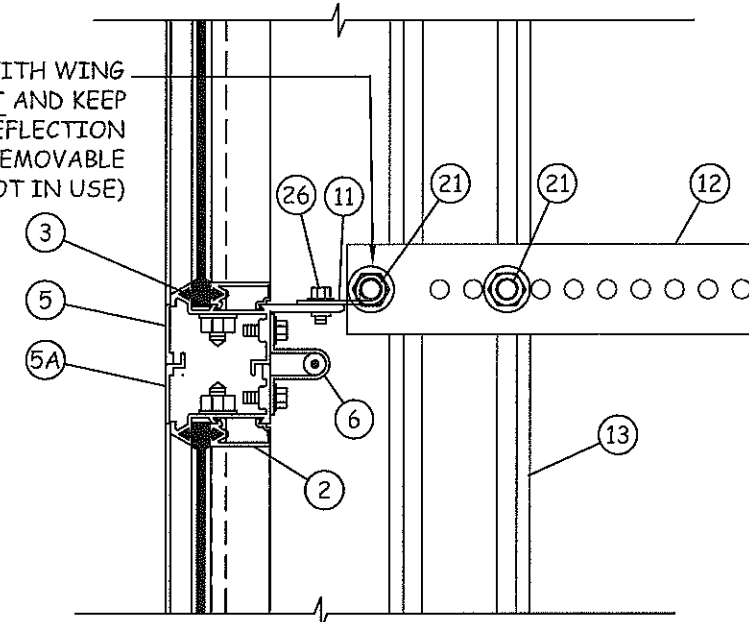
5/16" O.A. LAMINATED GLASS CONSISTING OF:
1/8" ANNEALED GLASS
0.100" PVB INTERLAYER
3/32" ANNEALED GLASS



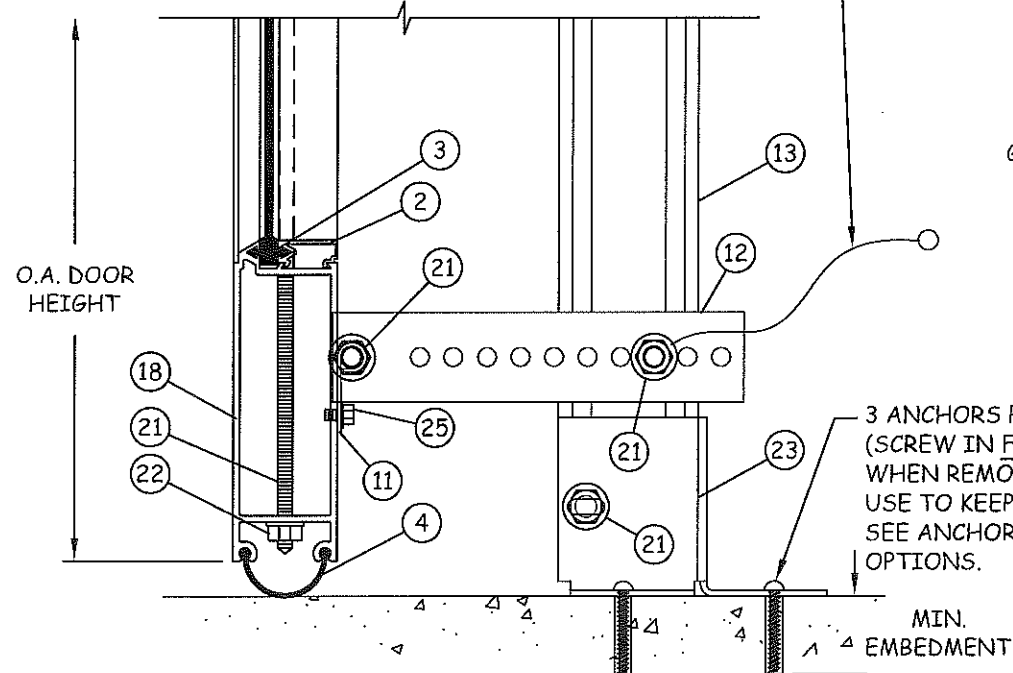
GLAZING DETAIL



PANEL DETAIL



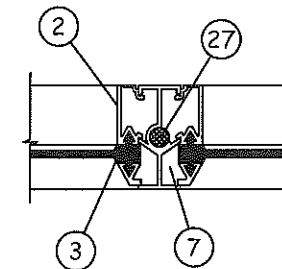
C
3
VERTICAL SECTION
INTERMEDIATE RAIL



A
3
VERTICAL SECTION
BOTTOM RAIL

3 ANCHORS PER BOTTOM BRACKET REQUIRED (SCREW IN FINGER TIGHT AND KEEP IN PLACE WHEN REMOVABLE REINFORCEMENT IS NOT IN USE TO KEEP HOLES FREE FROM DIRT AND DEBRIS) SEE ANCHOR TABLE B, SHEET 5 FOR ANCHOR OPTIONS.

PRODUCT REVISED as complying with the Florida Building Code
Acceptance No 16-0314.09
Expiration Date 01/17/2021
By *[Signature]*
Miami Trade Product Control



D
3
HORIZONTAL SECTION
VERTICAL MULLION



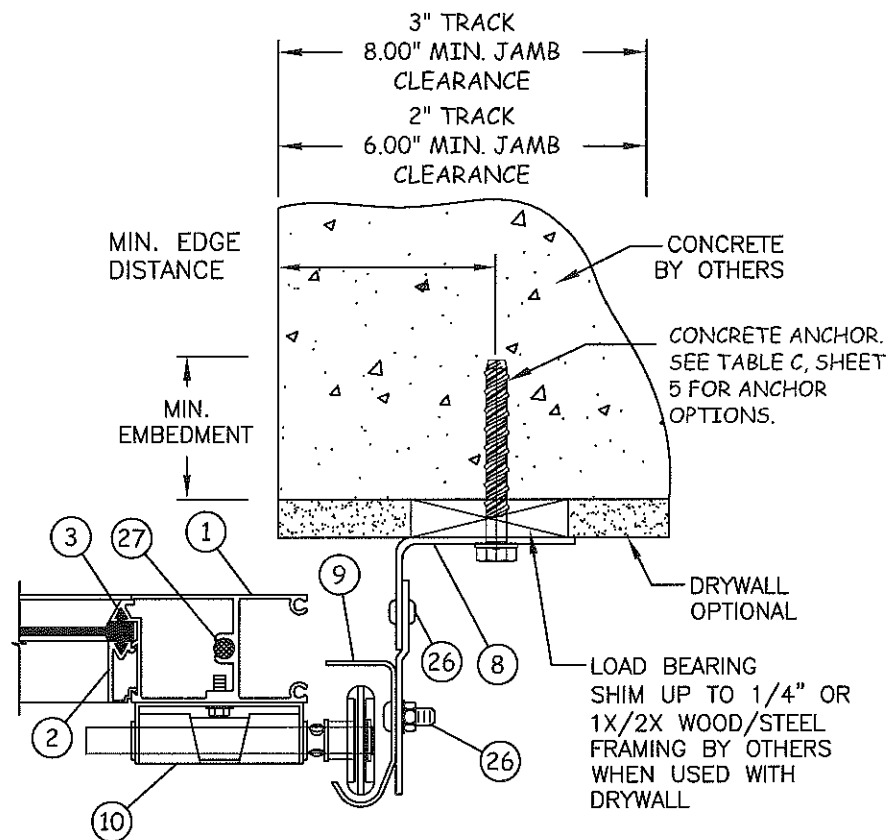
BP-GLASS GARAGE DOORS & ENTRY SYSTEMS, INC.
1511 W. 2nd St.
Pomona, CA 91766
PH: (626) 442-1716 FX: (626) 579-5320
www.GlassGarageDoors.com

TITLE: BP-350/450 HD GLASS GARAGE DOOR (U.S. PAT.) - HURRICANE SYSTEM VERTICAL, HORIZONTAL SECTIONS & GLAZING DETAILS
PREPARED BY: BUILDING DROPS, INC. 398 E. DANIA BEACH BLVD. #338 DANIA BEACH, FL 33004
PH: (954) 399-8478 FX: (954) 744-4738

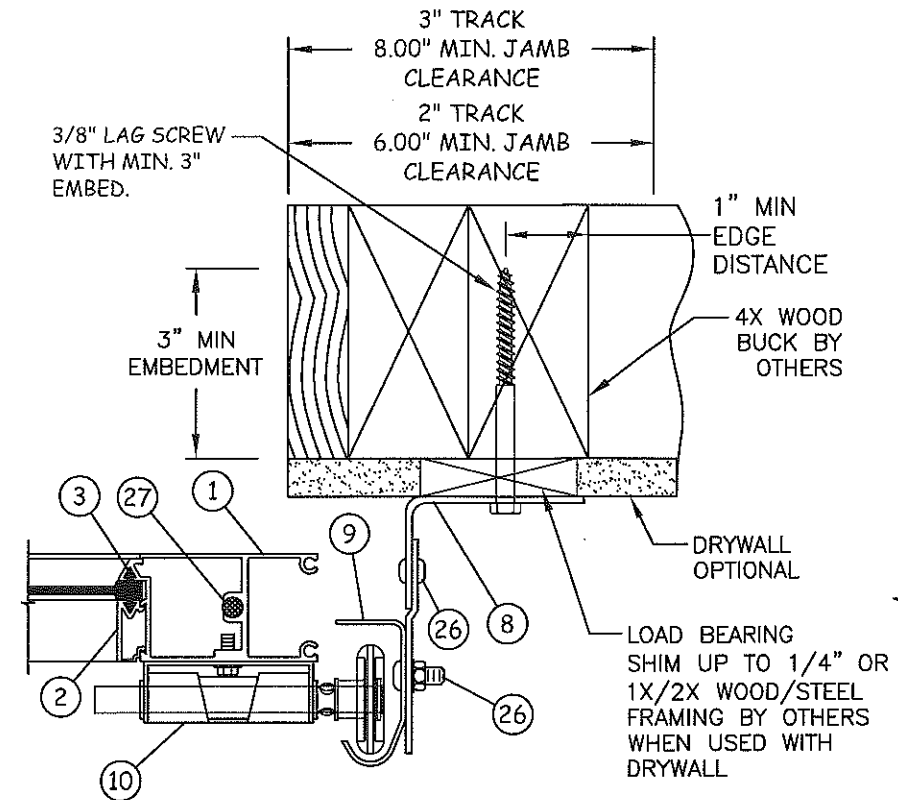
REVISIONS		NO.	DESCRIPTION	BY	DATE
A	REVISIONS PER MD COMMENT	JLA	12.20.11		
B	ANCHOR OPTIONS ADDED	TJM	10.4.13		
C	5TH EDITION FBC UPDATES	SIM	1.5.16		

3-17-2016
HERMES F. NORRERO, P.E.
FLORIDA P.E. NO. 75778
398 E. DANIA BEACH BLVD. #338
DANIA BEACH, FL 33004
FBPE CERT. OF AUTHORIZATION NO. 26578

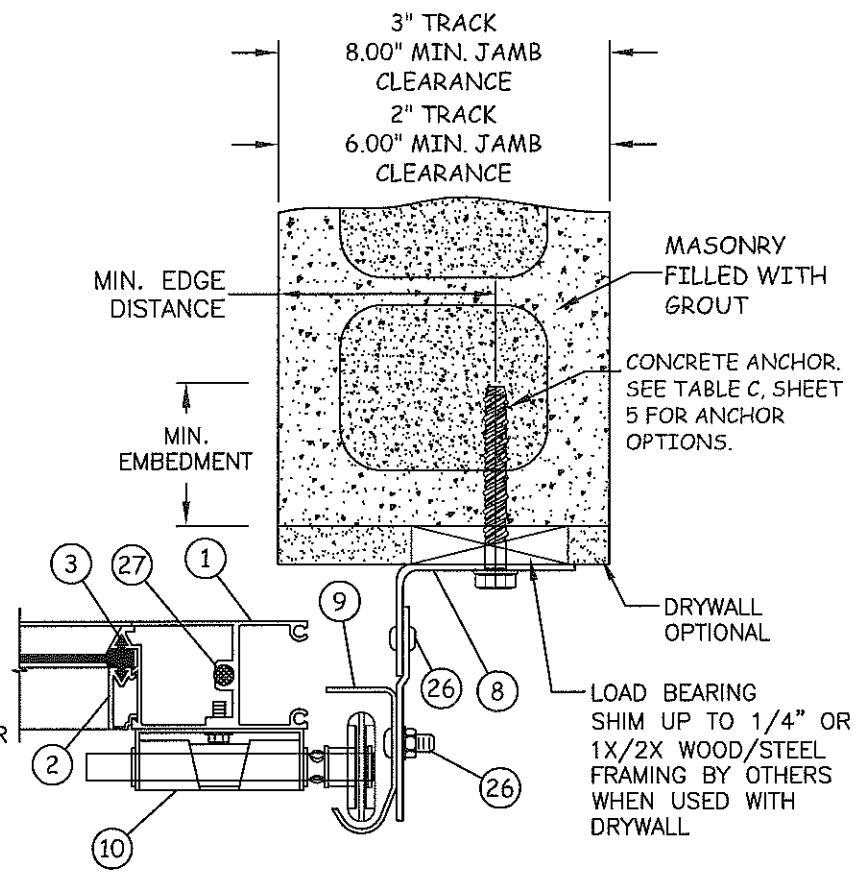
DATE: 06.01.09
DWN BY: JLR
CHK BY: HFN
SCALE: NTS
DWG #: BPC003
SHEET: 3 OF 7



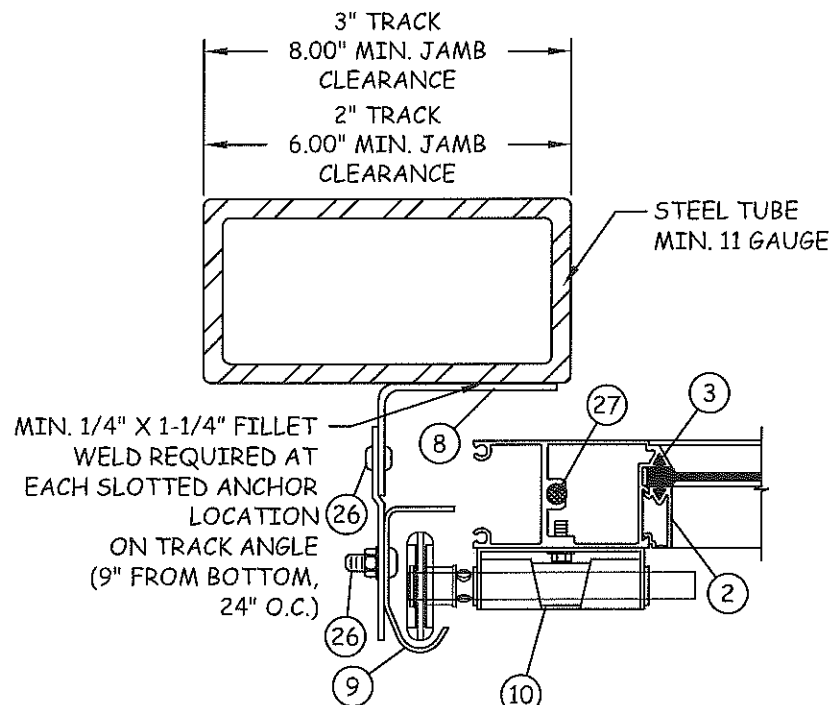
E HORIZONTAL SECTION
4 JAMBS - DRYWALL OVER CONCRETE ANGLE MOUNTED



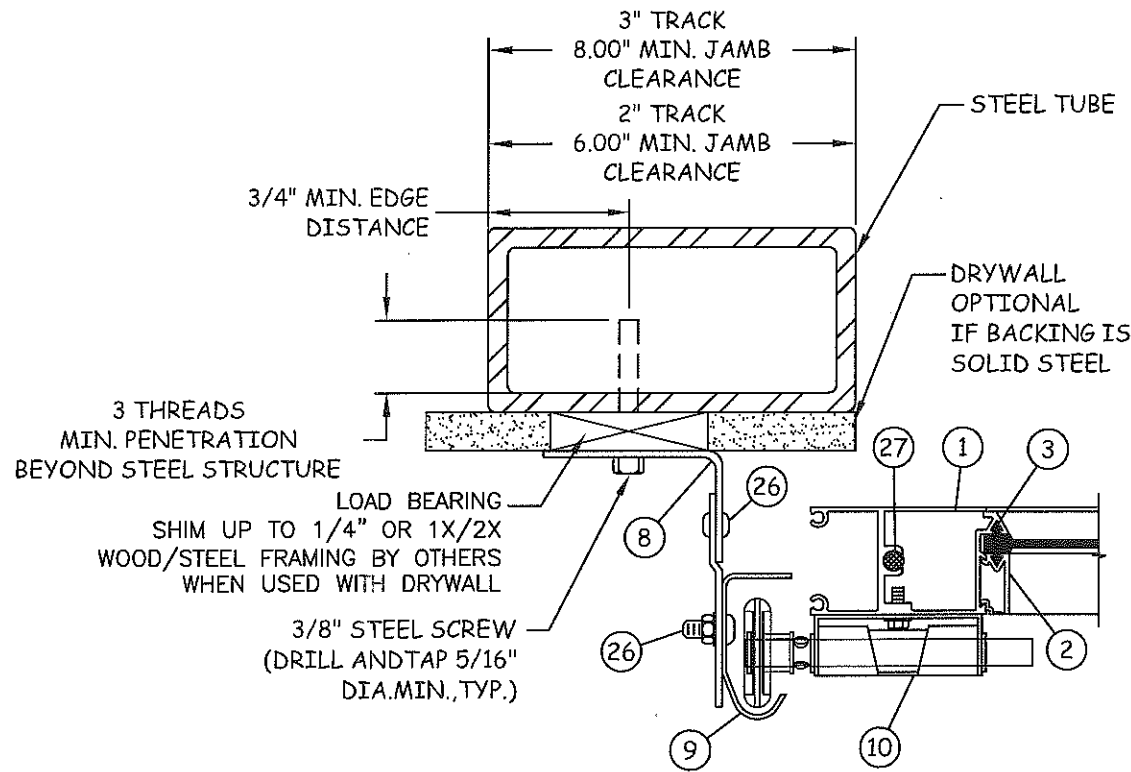
F HORIZONTAL SECTION
4 JAMBS - DRYWALL OVER 4X WOOD FRAME ANGLE MOUNTED



G HORIZONTAL SECTION
4 JAMBS - DRYWALL OVER CMU ANGLE MOUNTED



J HORIZONTAL SECTION
4 JAMBS - STEEL REVERSE ANGLE MOUNTED



K HORIZONTAL SECTION
4 JAMBS - STEEL W/ DRYWALL ANGLE MOUNTED

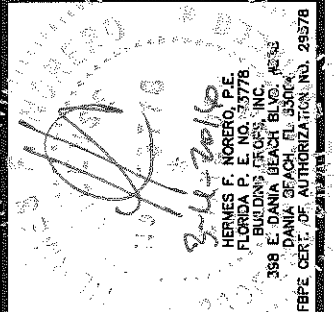
PRODUCT REVISED
as complying with the Florida
Building Code
Acceptance No 16-0314.09
Expiration Date 01/17/2021
By *[Signature]*
Missed Field Product Control



BP-GLASS GARAGE DOORS
& ENTRY SYSTEMS, INC.
1511 W. 2nd St.
Pomona, CA 91766
PH: (626) 442-1716 FX: (626) 579-5320
www.GlassGarageDoors.com

TITLE: BP-350/450 HD
GLASS GARAGE DOOR
(U.S. PAT.) - HURRICANE SYSTEM
HORIZONTAL SECTIONS
PREPARED BY:
BUILDING DROPS, INC.
398 E. DANIA BEACH BLVD. #338
DANIA BEACH, FL 33004
PH: (954) 399-8478 FX: (954) 744-4738

NO.	DESCRIPTION	BY	DATE
A	REVISIONS PER MD COMMENT	JLA	12.20.11
B	ANCHOR OPTIONS ADDED	TJM	10.4.13
C	5TH EDITION FBC UPDATES	SIM	1.5.16

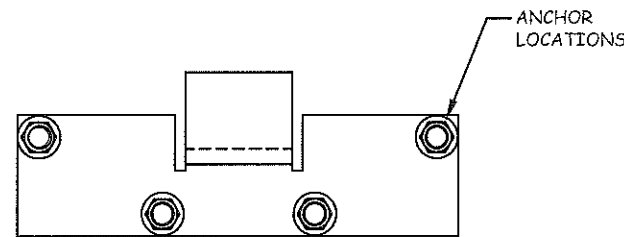


DATE: 06.01.09
DWN BY: JLR
CHK BY: HFN
SCALE: NTS
DWG #: BPC003
SHEET: 4 OF 7

Type	Anchor	Substrate	Embedment	Edge Distance	C.C. Distance
Epoxy	3/8" ITW Redhead A7	2000 psi concrete	3 3/8"	3 1/2"	6 1/2"
	3/8" Simpson AT	2000 psi concrete	1 3/4"	3"	6 1/2"
	3/8" Hilti HY150 MAX	2000 psi concrete	1 3/4"	3"	6 1/2"
Expansion	3/8" Hilti Kwik Bolt 3	3000 psi concrete	2 1/2"	3 1/2"	6 1/2"
	3/8" Hilti Kwik Bolt 3	grout filled CMU	2 1/2"	3 1/2"	6 1/2"
	3/8" ITW Redhead Wedge	2000 psi concrete	3"	3"	6 1/2"
	3/8" Powers Bolt Expansion	3000 psi concrete	2 1/2"	3 1/2"	6 1/2"
Tapcon/ Wedge Bolts	3/8" Redhead LDT	3000 psi concrete	2 1/2"	2"	6 1/2"
	3/8" Redhead LDT	grout filled CMU	2 1/2"	3 1/2"	6 1/2"
	3/8" Powers Wedge	2000 psi concrete	2 1/2"	3"	6 1/2"
	3/8" Powers Wedge	grout filled CMU	2 1/2"	3 1/2"	6 1/2"
	3/8" Simpson Titen HD	3000 psi concrete	2 3/4"	3 1/2"	6 1/2"
	3/8" Hilti Kwik HUS-EZ	3000 psi concrete	2 1/2"	3"	6 1/2"
Lag Screw	3/8" Lag Screw	Wood (min S.G. = 0.55)	3"	1"	2 1/4"
		Steel (118 mils min. wall thickness)	3 threads penetration beyond steel structure	3/4"	2 1/4"

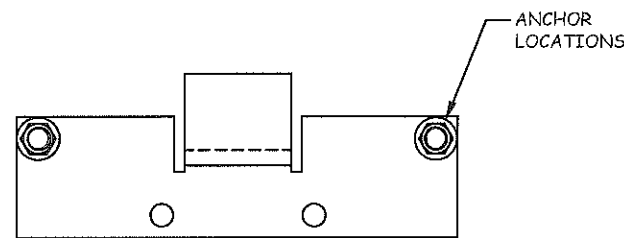
- ALL ANCHOR TYPES LISTED ABOVE VALID FOR MIN. SPECIFIED SUBSTRATE OR GREATER
- ANCHOR OPTION MUST MEET MINIMUM EMBEDMENT, EDGE DISTANCE, AND C.C. DISTANCE SPECIFIED
- ANCHORAGE AT BRACKET MUST CONFORM TO APPLICABLE BRACKET DETAIL BELOW

ANCHOR TABLE A - HEADER



BRACKET ANCHOR LOCATIONS FOR INSTALLATION INTO WOOD FRAME OR STEEL SUBSTRATE

BRACKET DETAIL A (WOOD/STEEL INSTALLATION)



BRACKET ANCHOR LOCATIONS FOR INSTALLATION INTO CONCRETE OR CMU

BRACKET DETAIL B (CONCRETE/CMU INSTALLATION)

Type	Anchor	Substrate	Embedment	Edge Distance
Drop-In	3/8" Hilti HDI	2000 psi concrete	1 9/16"	3 1/8"
	3/8" ITW Redhead	2000 psi concrete	1 5/8"	2 7/8"
	3/8" Powers Smart DI+	3000 psi concrete	1 9/16"	4 1/2"

- ALL ANCHOR TYPES LISTED ABOVE VALID FOR MIN. SPECIFIED SUBSTRATE OR GREATER
- ANCHOR OPTION MUST MEET MINIMUM EMBEDMENT AND EDGE DISTANCE SPECIFIED

ANCHOR TABLE B - SILL

Type	Anchor	Substrate	Embedment	Edge Distance
Drop-In	3/8" Hilti HDI	2000 psi concrete	1 9/16"	3 1/2"
	3/8" ITW Redhead	2000 psi concrete	1 5/8"	2 7/8"
	3/8" Powers Smart DI+	3000 psi concrete	1 9/16"	3 1/2"
Epoxy	3/8" ITW Redhead A7	2000 psi concrete	3 3/8"	3 1/2"
	3/8" Simpson AT	2000 psi concrete	1 3/4"	3"
	3/8" Hilti HY150 MAX	2000 psi concrete	1 3/4"	3"
Expansion	3/8" Hilti Kwik Bolt 3	3000 psi concrete	2 1/2"	3 1/2"
	3/8" Hilti Kwik Bolt 3	grout filled CMU	2 1/2"	3 1/2"
	3/8" ITW Redhead Wedge	2000 psi concrete	3"	3"
	3/8" Powers Bolt Expansion	3000 psi concrete	2 1/2"	3 1/2"
	3/8" Redhead LDT	3000 psi concrete	1 1/2"	2"
Tapcon/ Wedge Bolts	3/8" Redhead LDT	grout filled CMU	1 1/2"	3 1/2"
	3/8" Powers Wedge	2000 psi concrete	2 1/2"	3"
	3/8" Powers Wedge	grout filled CMU	2 1/2"	3 1/2"
	3/8" Hilti Kwik HUS-EZ	3000 psi concrete	2 1/2"	3"
	3/8" Hilti Kwik HUS-EZ	grout filled CMU	1 5/8"	4"
	Lag Screw	3/8" Lag Screw	Wood (min S.G. = 0.55)	3"
Bolt	3/8" Steel Bolt	Steel (118 mils min. wall thickness)	3 threads penetration beyond steel structure	3/4"

- ALL ANCHOR TYPES LISTED ABOVE VALID FOR MIN. SPECIFIED SUBSTRATE OR GREATER
- ANCHOR OPTION MUST MEET MINIMUM EMBEDMENT AND EDGE DISTANCE SPECIFIED

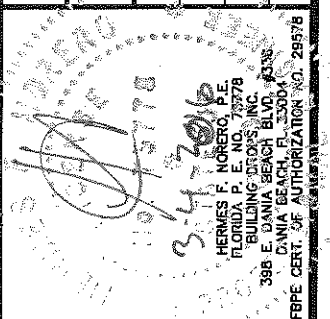
ANCHOR TABLE C - TRACK



BP-GLASS GARAGE DOORS & ENTRY SYSTEMS, INC.
1511 W. 2nd St.
Pomona, CA 91766
PH: (626) 442-1716 FX: (626) 579-5320
www.GlassGarageDoors.com

TITLE: BP-350/450 HD
GLASS GARAGE DOOR
(U.S. PAT.) - HURRICANE SYSTEM
ANCHOR TABLES
& BRACKET DETAIL
PREPARED BY:
BUILDING DROPS, INC.
398 E. DANIA BEACH BLVD. #338
DANIA BEACH, FL 33004
PH: (954) 399-8478 FX: (954) 744-4738

NO.	DESCRIPTION	BY		DATE			
		REVISIONS PER MD COMMENT	ANCHOR OPTIONS ADDED	JLA	TJM	12.20.11	10.4.13
A							
B							
C							

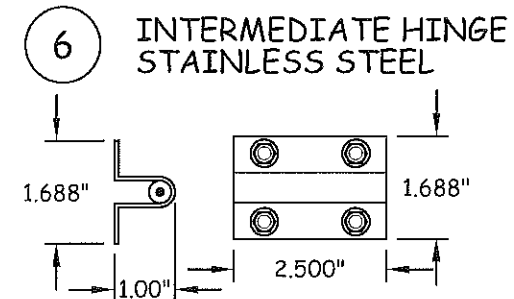
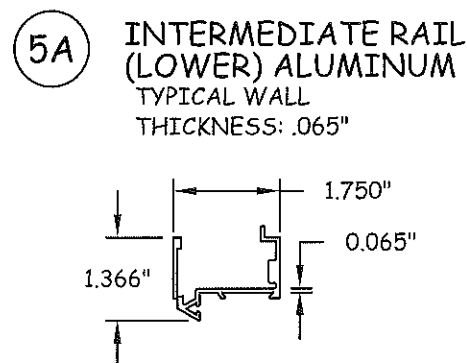
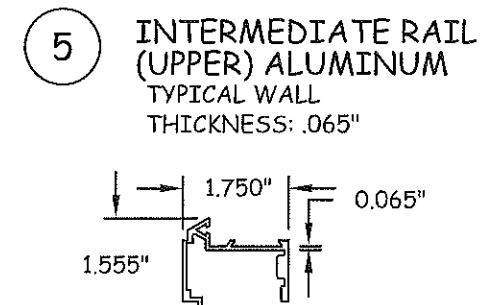
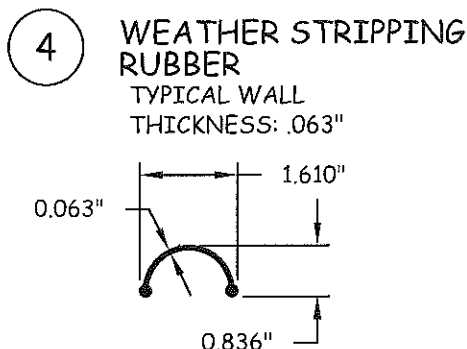
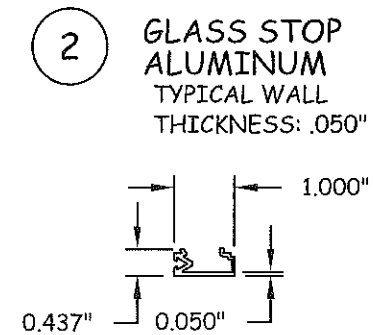
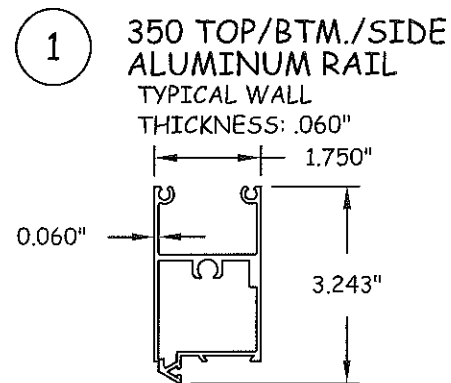


PRODUCT REVISED
as complying with the Florida
Building Code
Acceptance No 16-931409
Expiration Date 2/17/2021
By *[Signature]*
Missed Field Product Control

DATE: 06.01.09
DWN BY: JLR
CHK BY: HFN
SCALE: NTS
DWG #: BPC003
SHEET: 5 OF 7

BILL OF MATERIALS

ITEM NO.	DESCRIPTION	MATERIAL	MANUFACTURER
1	350 TOP/BTM./SIDE FRAME RAIL	ALUMINUM	BP GLASS DOORS
2	GLASS STOP	ALUMINUM	BP GLASS DOORS
3	GLAZING GASKET	EPDM	GLS
4	WEATHERSTRIPPING	EPDM	GLS
5	INTERMEDIATE RAIL (UPPER)	ALUMINUM	BP GLASS DOORS
5A	INTERMEDIATE RAIL (LOWER)	ALUMINUM	BP GLASS DOORS
6	INTERMEDIATE HINGE	14 GA. STAINLESS STEEL	BP GLASS DOORS
7	VERTICAL MULLION	ALUMINUM	BP GLASS DOORS
8	ANGLE	14 GA. STEEL	BP GLASS DOORS
9	TRACK 2"	15 GA. STEEL	BP GLASS DOORS
10	UNIVERSAL HINGES #1-#9	12 GA. STAINLESS STEEL	BP GLASS DOORS
11	HF-PIN BRACKET	12 GA. STAINLESS STEEL	BP GLASS DOORS
12	DEFLECTION BRACKET	11 GA. GALV. STEEL	BP GLASS DOORS
13	REMOVABLE REINFORCEMENT	ALUMINUM	BP GLASS DOORS
14	3/8" U-BOLT & LOCK NUTS	STEEL	BP GLASS DOORS
15	U-BOLT PLATES	12 GA. GALV. STEEL	BP GLASS DOORS
16	TOP BRACKET	1/4" STEEL	BP GLASS DOORS
17	TOP FIXTURE	12 GA. STAINLESS STEEL	BP GLASS DOORS
18	350/450 TOP AND BOTTOM RAIL	ALUMINUM	BP GLASS DOORS
19	BOTTOM FIXTURE	12 GA. STAINLESS STEEL	BP GLASS DOORS
20	3/8" DROP IN CONCRETE ANCHOR	STEEL	BP GLASS DOORS
21	1/4" - 20 HEX BOLT & NUTS	STEEL	BP GLASS DOORS
22	1/4" NUT	STEEL	BP GLASS DOORS
23	FLOOR FLANGE	12 GA. GALV. STEEL	BP GLASS DOORS
24	3/8" X 3" LAG BOLT	STEEL	BP GLASS DOORS
25	1/4" X 1/2" SELF THREADING SCREW	STEEL	BP GLASS DOORS
26	1/4" X 1/2" CARRIAGE BOLT	STEEL	BP GLASS DOORS
27	1/4" X 20 GALV. THRU BOLT W/ NUT	STEEL	BP GLASS DOORS



PRODUCT REVISED
in compliance with the Florida
Building Code
Acceptance No. 16-0314-09
Expiration Date: 01/11/2021
By: *[Signature]*
Manufactured Product Control



BP-GLASS GARAGE DOORS
& ENTRY SYSTEMS, INC.
1511 W. 2nd St.
Pomona, CA 91766
PH: (626) 442-1716 FX: (626) 579-5320
www.GlassGarageDoors.com

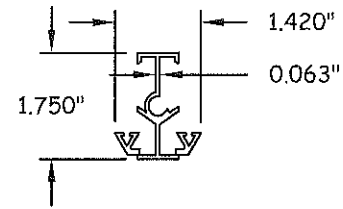
TITLE: BP-350/450 HD
GLASS GARAGE DOOR
(U.S. PAT.) - HURRICANE SYSTEM
& COMPONENTS
BILL OF MATERIALS
PREPARED BY:
BUILDING DROPS, INC.
398 E. DANIA BEACH BLVD. #338
DANIA BEACH, FL 33004
PH: (954) 399-8478 FX: (954) 744-4738

NO.	DESCRIPTION	BY	DATE
A	REVISIONS PER MD COMMENT	JLA	12.20.11
B	ANCHOR OPTIONS ADDED	TJM	10.4.13
C	5TH EDITION FBC UPDATES	SIM	1.5.16

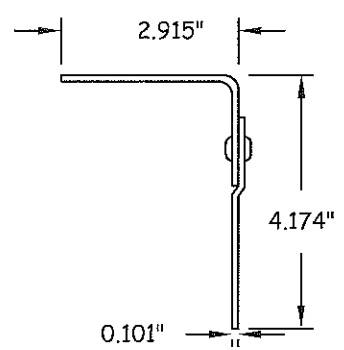
PERMITS
7-4-2016
HERNAN F. MORENO, P.E.
PROVIDING A.S. NO. 72078
398 E. DANIA BEACH BLVD. #338
DANIA BEACH, FL 33004
FBPE CERT. OF AUTHORIZATION NO. 29578

DATE: 06.01.09
DWN BY: JLR
CHK BY: HFN
SCALE: NTS
DWG #: BPC003
SHEET: 6 OF 7

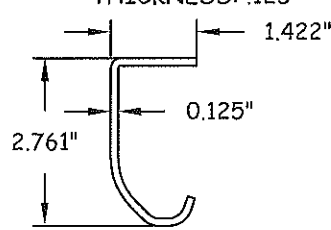
7 VERTICAL MULLION ALUMINUM
TYPICAL WALL THICKNESS: .065"



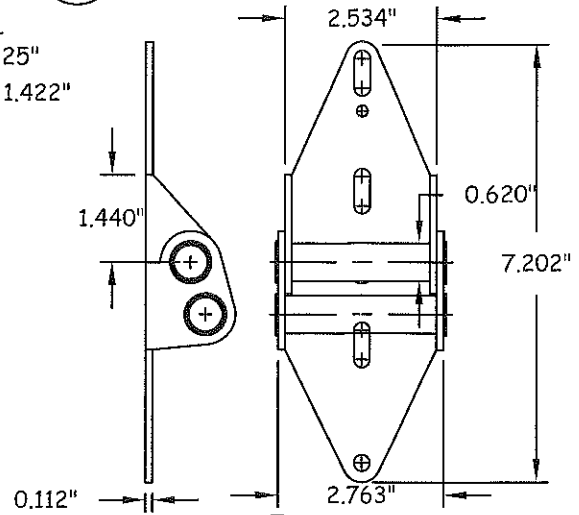
8 ANGLE STEEL
TYPICAL WALL THICKNESS: .100"



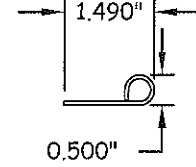
9 TRACK STEEL
TYPICAL WALL THICKNESS: .125"



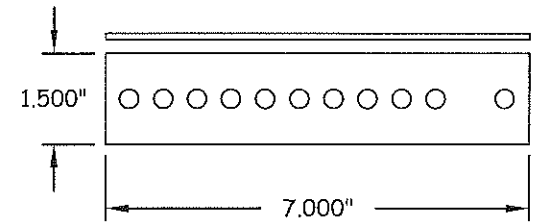
10 UNIVERSAL HINGES #1-#9 STAINLESS STEEL



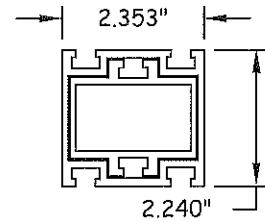
11 HF PIN BRACKET STAINLESS STEEL



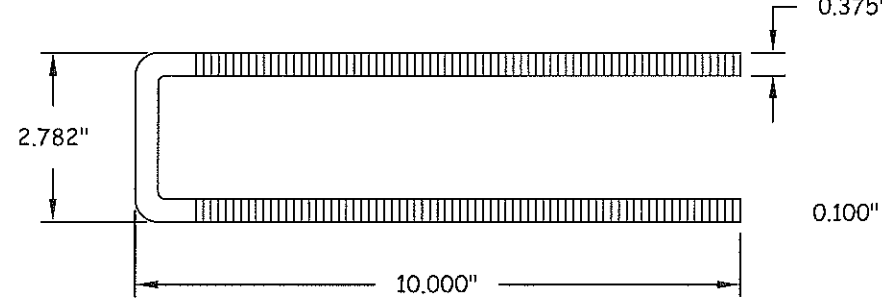
12 DEFLECTION BRACKET STEEL



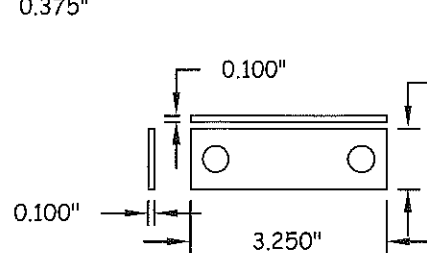
13 REMOVABLE REINFORCEMENT ALUMINUM



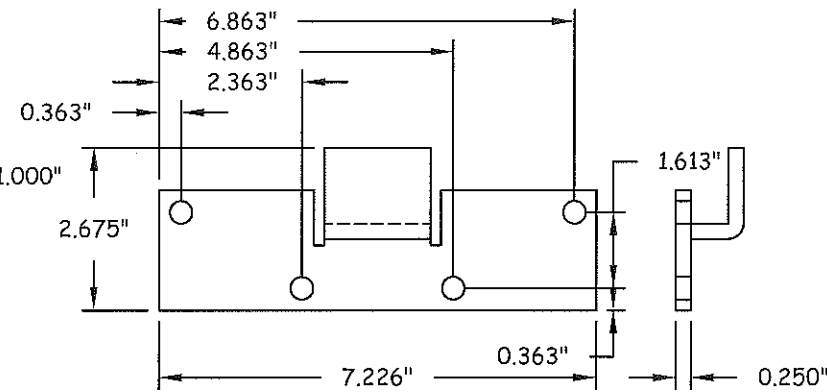
14 U-BOLT STEEL



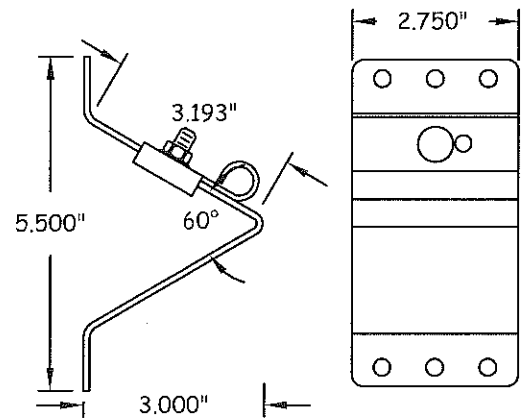
15 U-BOLT PLATES STEEL



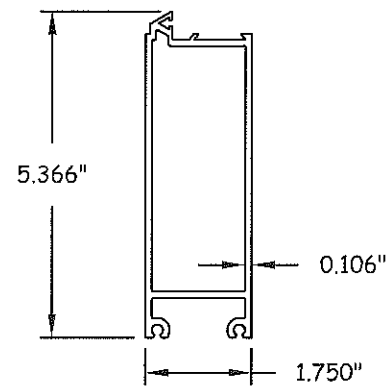
16 TOP BRACKET STEEL



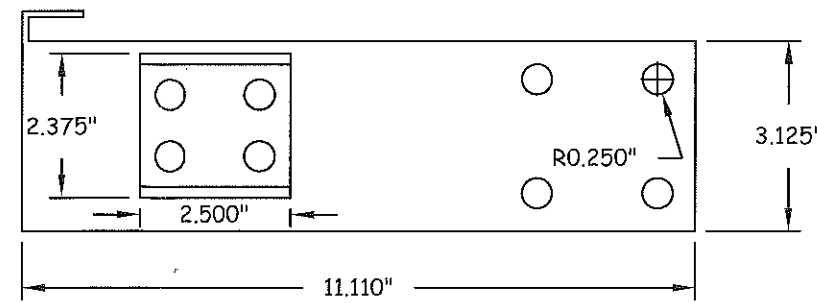
17 TOP FIXTURE STAINLESS STEEL



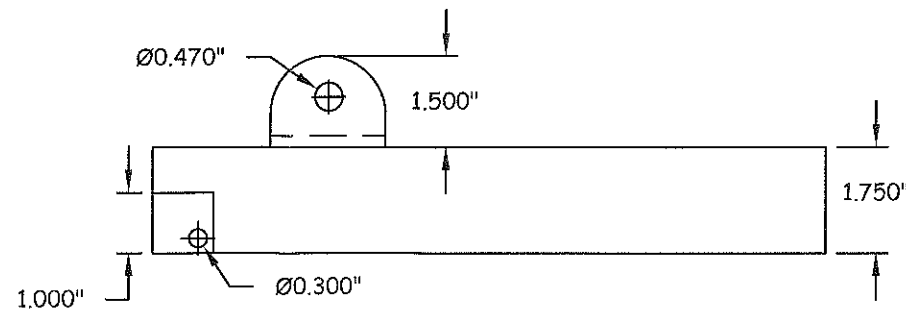
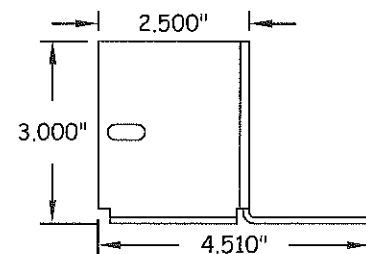
18 350/450 TOP AND BTM. RAIL ALUMINUM



19 BOTTOM FIXTURE STAINLESS STEEL



23 FLOOR FLANGE STEEL



PRODUCT REVISED
as complying with the Florida
Building Code
Acceptance No 16-0314-09
Expiration Date 01/17/2011
By *[Signature]*
Miami Door Product Control



BP-GLASS GARAGE DOORS
& ENTRY SYSTEMS, INC.
1511 W. 2nd St.
Pomona, CA 91766
PH: (626) 442-1716 FX: (626) 579-5320
www.GlassGarageDoors.com

TITLE: BP-350/450 HD
GLASS GARAGE DOOR
(U.S. PAT.) - HURRICANE SYSTEM
COMPONENTS
PREPARED BY:
BUILDING DROPS, INC.
398 E. DANIA BEACH BLVD. #338
DANIA BEACH, FL 33004
PH: (954) 399-8478 FX: (954) 744-4738

REVISIONS		NO.	DESCRIPTION	BY	DATE
A	REVISIONS PER MD COMMENT	JLA	12.20.11		
B	ANCHOR OPTIONS ADDED	TJM	10.4.13		
C	5TH EDITION FBC UPDATES	SIM	1.5.16		

HERMES F. NOREPO, P.E.
FLORIDA LIC. NO. 13778
398 E. DANIA BEACH BLVD. #338
DANIA BEACH, FL 33004
FBPE CERT. OF AUTHORIZATION NO. 23578

DATE: 06.01.09
DWN BY: JLR
CHK BY: HFN
SCALE: NTS
DWG #: BPC003
SHEET: 7 OF 7