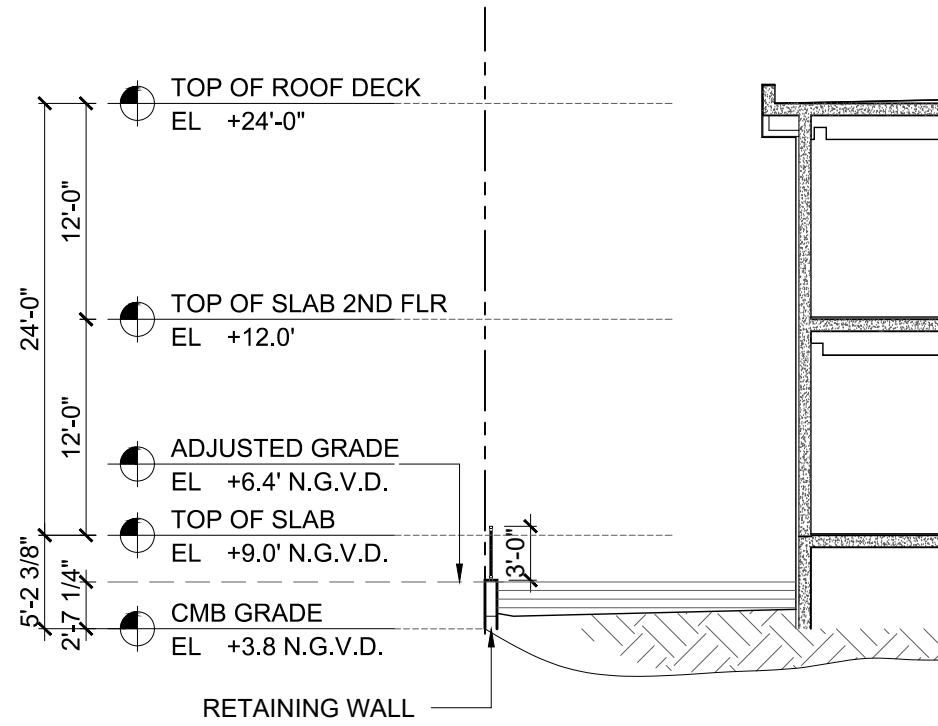
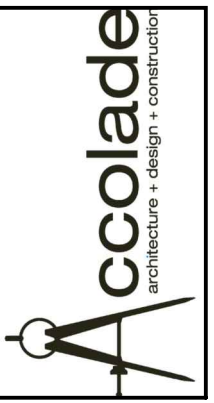


1 SECTION
SCALE: 3/32" = 1'-0"



2 SECTION
SCALE: 3/32" = 1'-0"



AA 26001980

JORGE L. ESTEBAN, A.I.A.
2601 S. BAYSHORE DR. SUITE 1460
MIAMI, FL. 33133
TEL. 305.705.0001 FAX 305.705.0003
JESTEBAN@ACCOLADE.CC

REFERENCE FOR:
4465 ALTON RD. LLC.
4465 ALTON RD.
MIAMI BEACH, FL. 33140

DRB 18-0271
FINAL SUBMITTAL

DATE: 05/04/18
DESCRIPTION:
NORTH YARD
SECTIONS

SHEET NO.
A-23