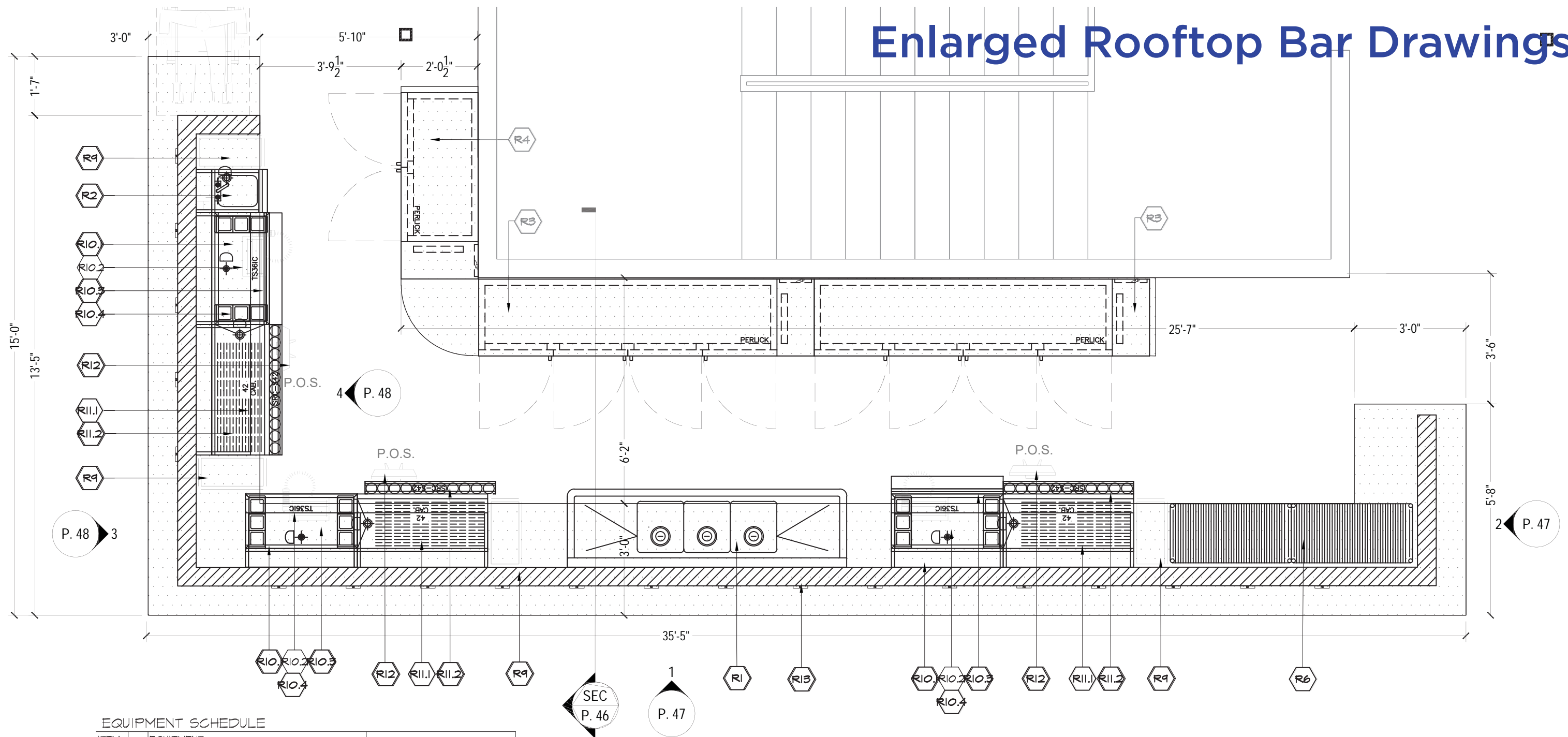


Enlarged Rooftop Bar Drawings



EQUIPMENT SCHEDULE

ITEM NO	QTY	EQUIPMENT CATEGORY	EQUIPMENT DIMENSIONS
R1	1	SINK, NSF, LARGE 3 COMP	-
R2	1	UNDERBAR DUMPSINK	-
R3	2	BACK BAR EQUIPMENT, GLASS DOORS	-
R4	1	BACK BAR EQUIPMENT, GLASS DOORS	-
R5		UNUSED	-
R6	2	MODULAR RACK, SYRUP TANK & BAG-N-BOX	39"W X 1'9"D X 11"H
R7.1		LIGHTED MERCHANDISE DISPLAY - ABOVE	96"W X 8"D X 8-1/4"H
R7.2		LIGHTED MERCHANDISE DISPLAY - ABOVE	72"W X 8"D X 8-1/4"H
R8.1		STL. DRINK RAIL - SEE SECTION	96"W X 5-1/8"D X 2"H
R8.2		DRINK RAIL TRAY - SEE SECTION	-
R8.3		STL. DRIP TRAY - SEE SECTION	3-9/16"D X 48"L
R9	4	UNDERBAR WASTE	11"W X 22"D X 30"H
R10.1	2	UNDERBAR ICE CHEST	-
R10.2	3	SODA GUN	-
R10.3	3	UNDERBAR SPEED RAIL	-
R10.4	3	BOTTLE WELL/COVER ASSEMBLY	-
R11.1	3	UNDERBAR DRY STORAGE	-
R11.2	3	UNDERBAR COCKTAIL SPEED RAIL	-
R12	3	POS STATION	-
R13	20	DOUBLE PURSE METAL HOOK	-

ENLARGED ROOFTOP BAR PLAN

SCALE: 3/8" = 1'-0"

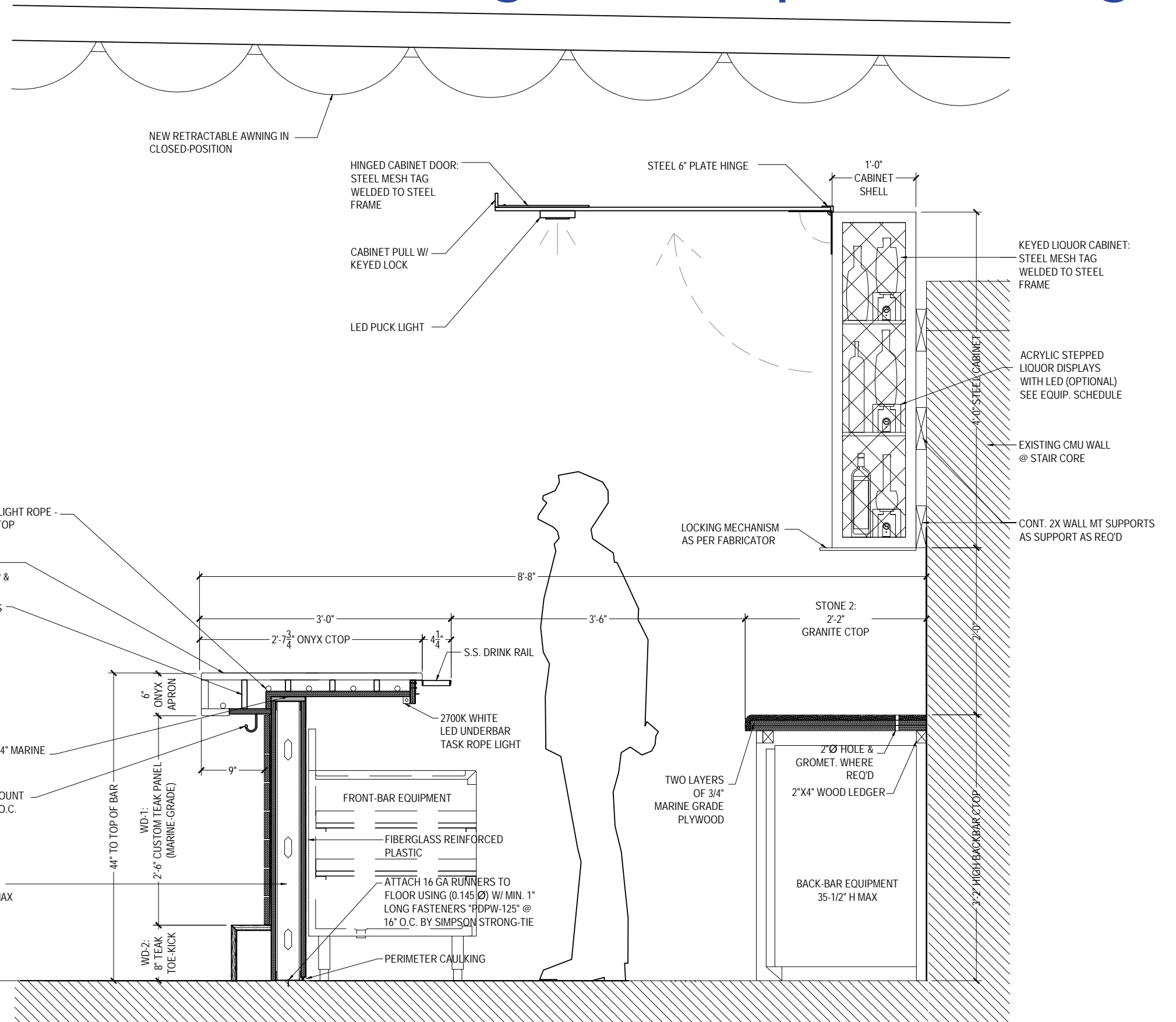


*DRAWINGS ARE NOT TO BE USED FOR CONSTRUCTION

Enlarged Rooftop Bar Drawings



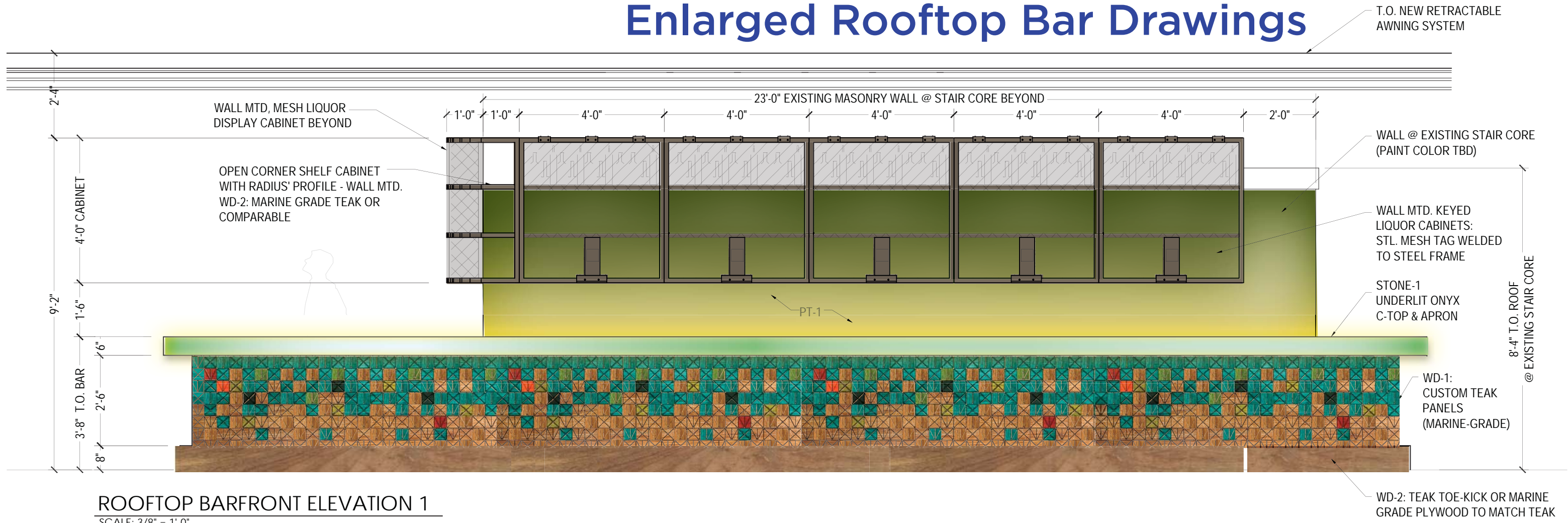
UNDERLIT COUNTERTOP CONCEPT RENDERING



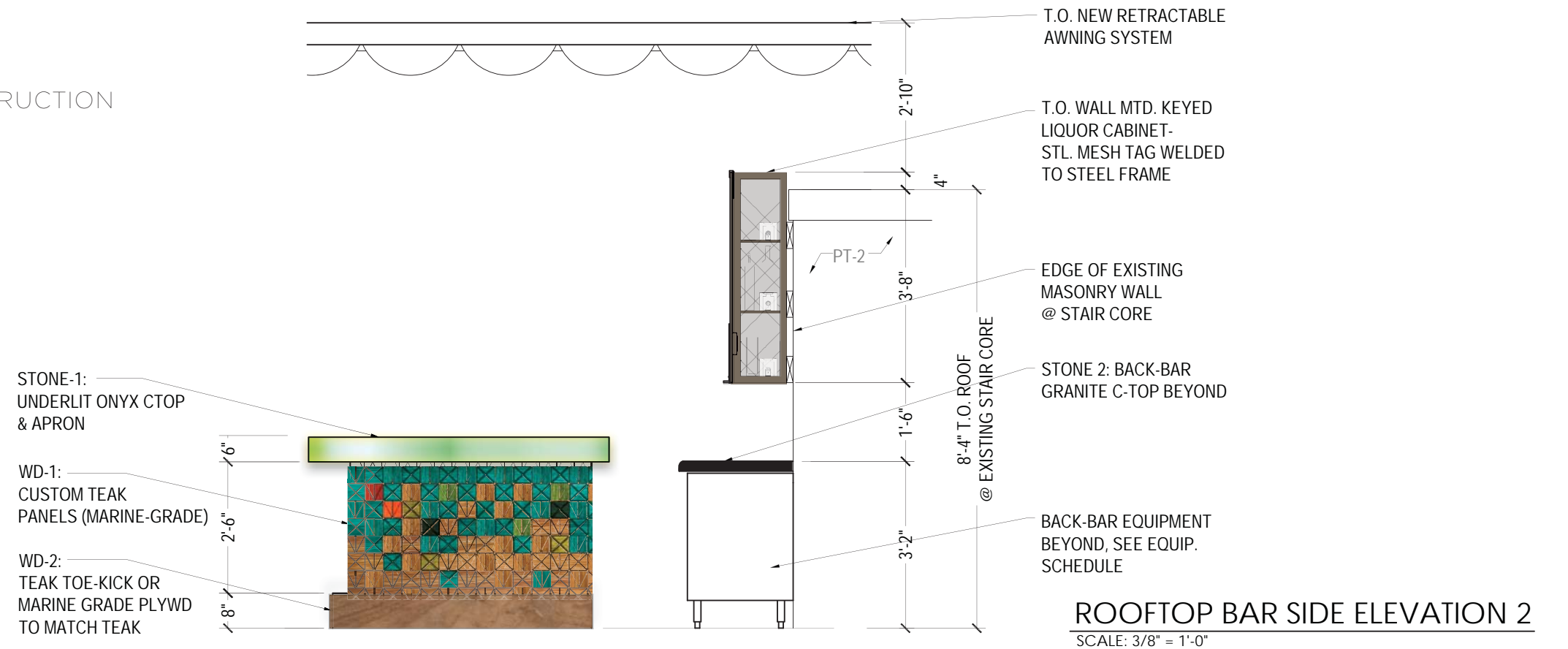
SECTION AT BUILT-IN ROOFTOP BAR
SCALE: 3/4" = 1'-0"

*DRAWINGS ARE NOT TO BE USED FOR CONSTRUCTION

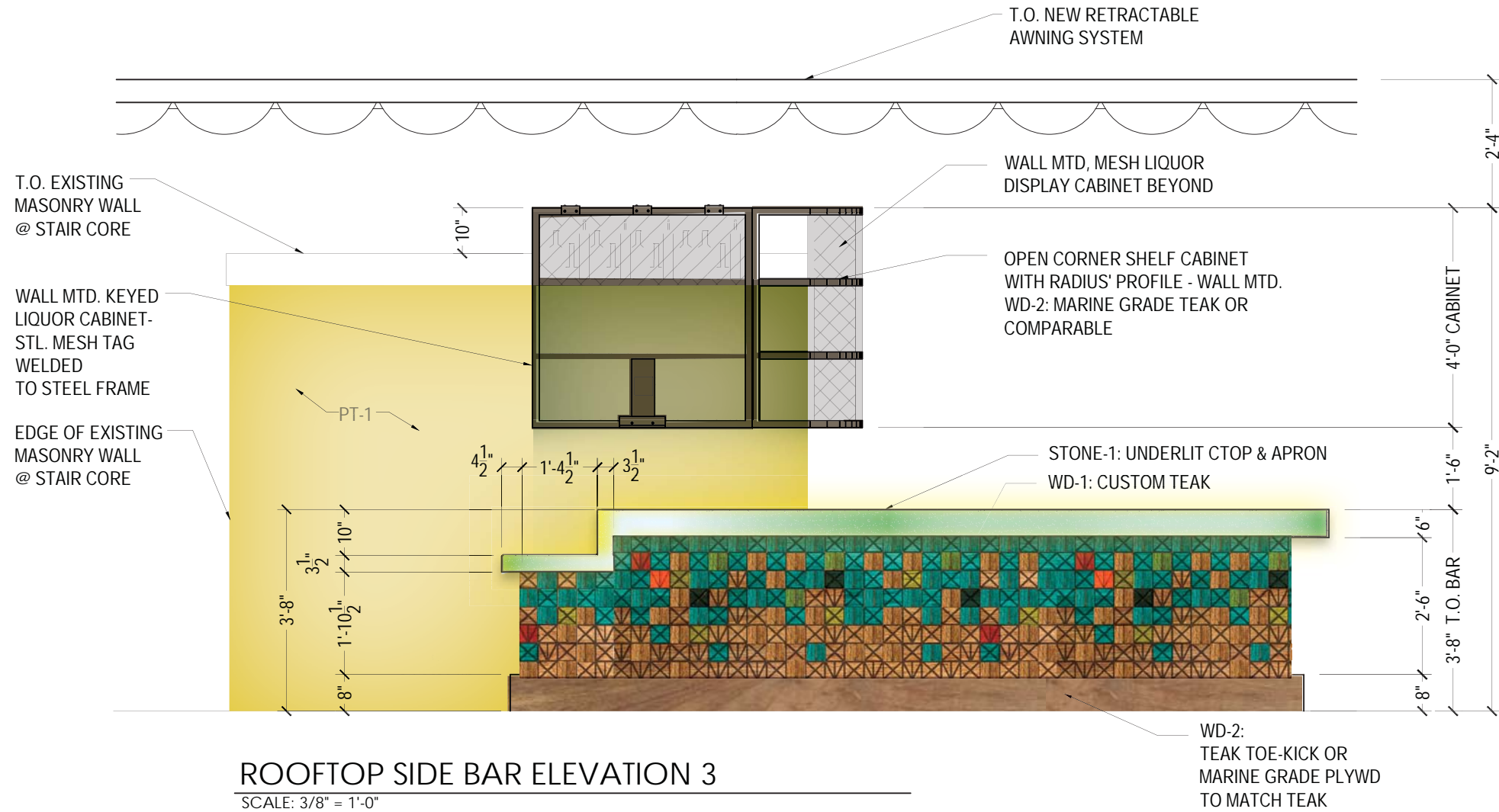
Enlarged Rooftop Bar Drawings



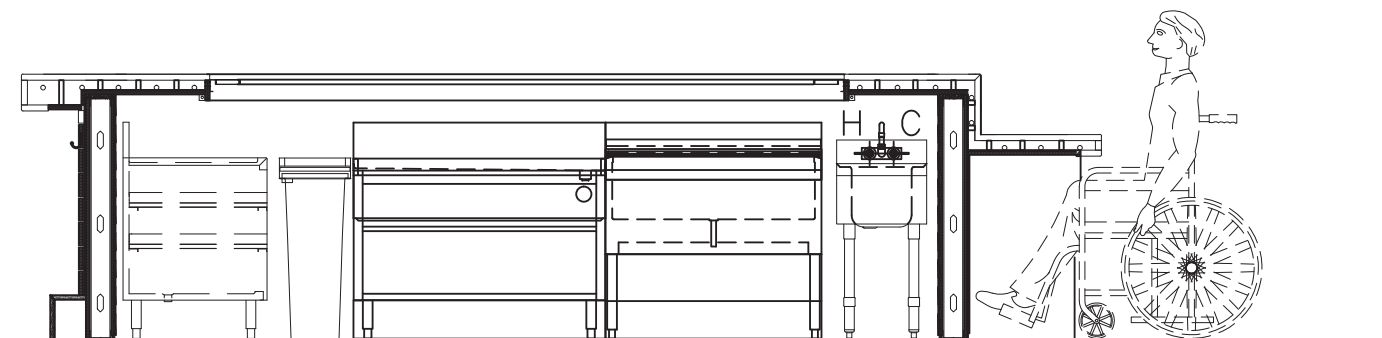
*DRAWINGS ARE NOT TO BE USED FOR CONSTRUCTION



Enlarged Rooftop Bar Drawings

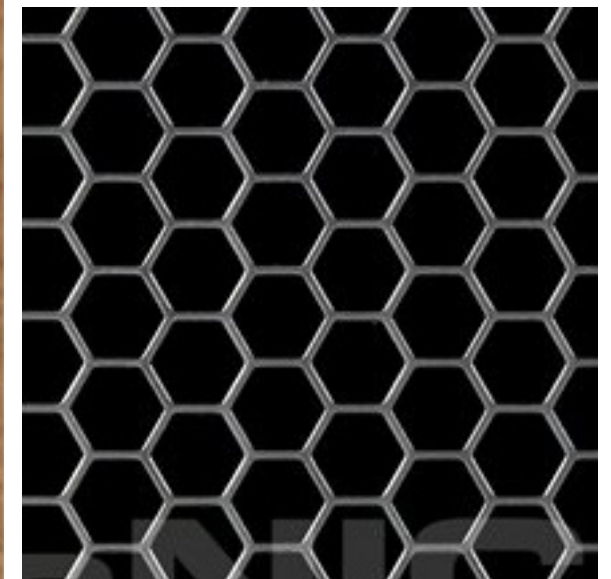
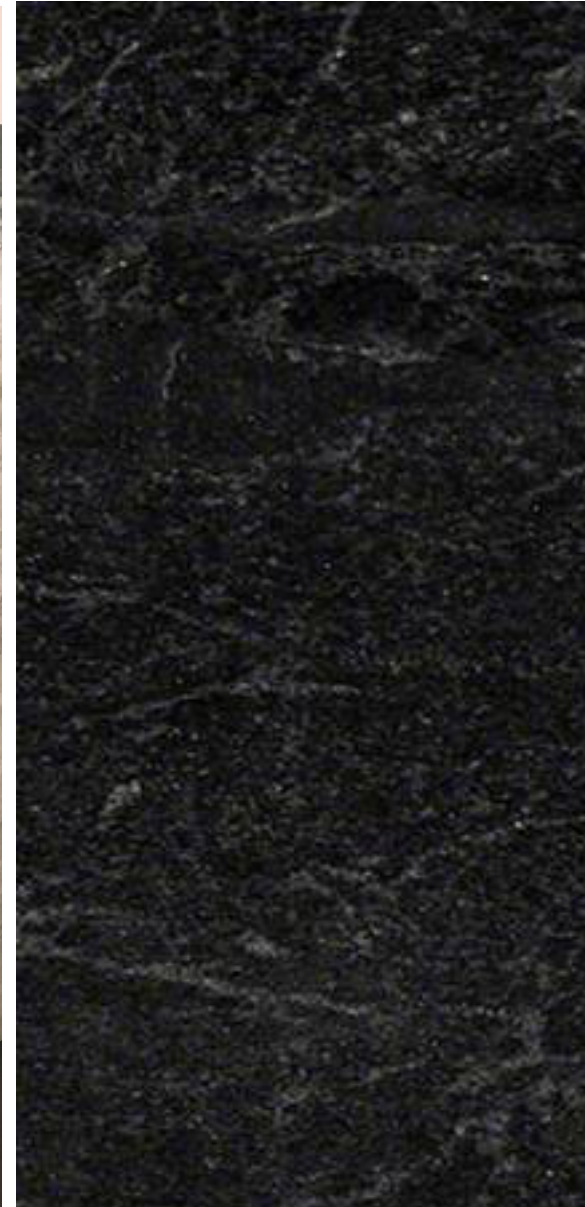


*DRAWINGS ARE NOT TO BE USED FOR CONSTRUCTION



Rooftop Bar Materials

FINISH SCHEDULE AT NEW ROOFTOP BAR	
STONE 1	ONYX MAINCOUNTERTOP AND APRON
STONE 2	BLACK GRANITE BACK BAR COUNTERTOP
WD-1	CUSTOM TEAK TREATED PANELS WITH CNC PATTERN AND PATINA PAINT PALETTE (AT BAR FACE)
WD-2	TEAK TOE-KICK AND EDGING
STEEL / MESH	CUSTOM STEEL FRAMED CABINETS WITH MESH SKIN ENCLOSURE
PT-1	EXTERIOR WALL PAINT AT STAIR CORE WALL, COLOR TBD



STONE 1:
ACTUAL ONYX SHEETS
ALREADY PURCHASED

STONE 2:
'NERO-MIST' GRANITE - HONED

WD-1
CUSTOM TEAK TREATED PANELS
ACTUAL MOCK-UP SHOWN HERE
(MARINE-GRADE)

WD-2
TEAK FINISH
(MARINE-GRADE)

(TOP) STL MESH CABINET CONCEPT
(BOT) MCNICHOLS STL MESH DETAIL

Rooftop Awning Specs & Details

11'-6" HIGH MOTORIZED RETRACTABLE AWNING:

MANUFACTURER: PALMIYE

NAME & MODEL #: TRUMP S1 (WALL INSTALLATION) + TRUMP S2 (FREE STANDING INSTALLATION)

ALL FRAMING IS POWDER COATED WHITE

WIND RESISTANCE

PROJECTION (cm)	WIDTH (cm)																	
	450	500	550	600	650	700	750	800	850	900	950	1000	1050	1100	1150	1200	1250	1300
400	11	11	11	11	11	11	11	11	11	11	11	11	11	11	11	11	11	11
450	11	11	11	11	11	11	11	11	11	11	11	11	11	11	11	11	11	11
500	11	11	11	11	11	11	11	11	11	11	11	11	11	11	11	11	11	11
550	11	11	11	11	11	11	11	11	11	11	11	11	11	11	11	11	11	11
600	11	11	11	11	11	11	11	11	11	11	11	11	11	11	11	11	11	11
650	11	11	11	11	11	11	11	11	11	11	11	11	11	11	11	11	11	11
700	11	11	11	11	11	11	11	11	11	11	11	11	11	11	11	11	11	11
750	11	11	11	11	11	11	11	10	10	10	11	11	11	11	11	10	10	10
800	11	11	11	11	11	10	10	10	10	10	11	11	10	10	10	10	10	10

*The values are given according to the Beaufort scale.

TRUMP

FLAT

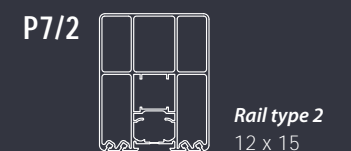
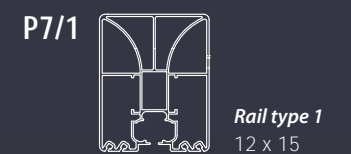
It is a special designed retractable roof system with its flat aluminium construction.

Palmiye presents a wide range of ceiling covers, with a selection of colours, material (such as PVC, fabric) and patterns which are imported from Europe and U.S, with 5 years guaranty against fading and mould.

Lighting systems can be adapted to the ceiling cover which moves together with it. The Spot Lights or Linear Lights are installed on the aluminium profiles and can be controlled by a remote control or with a remote controlled dimmer function.

Each of our products is hand crafted and in itself unique, and from ceiling cover to the construction material you can completely customize your products.

Palmiye is proud to present its own MyPalmiye App which has been designed specifically for Palmiye products and is available at Apple's App Store.



width	1300
projection	800
max rail centers	450



TECHNICAL FEATURES

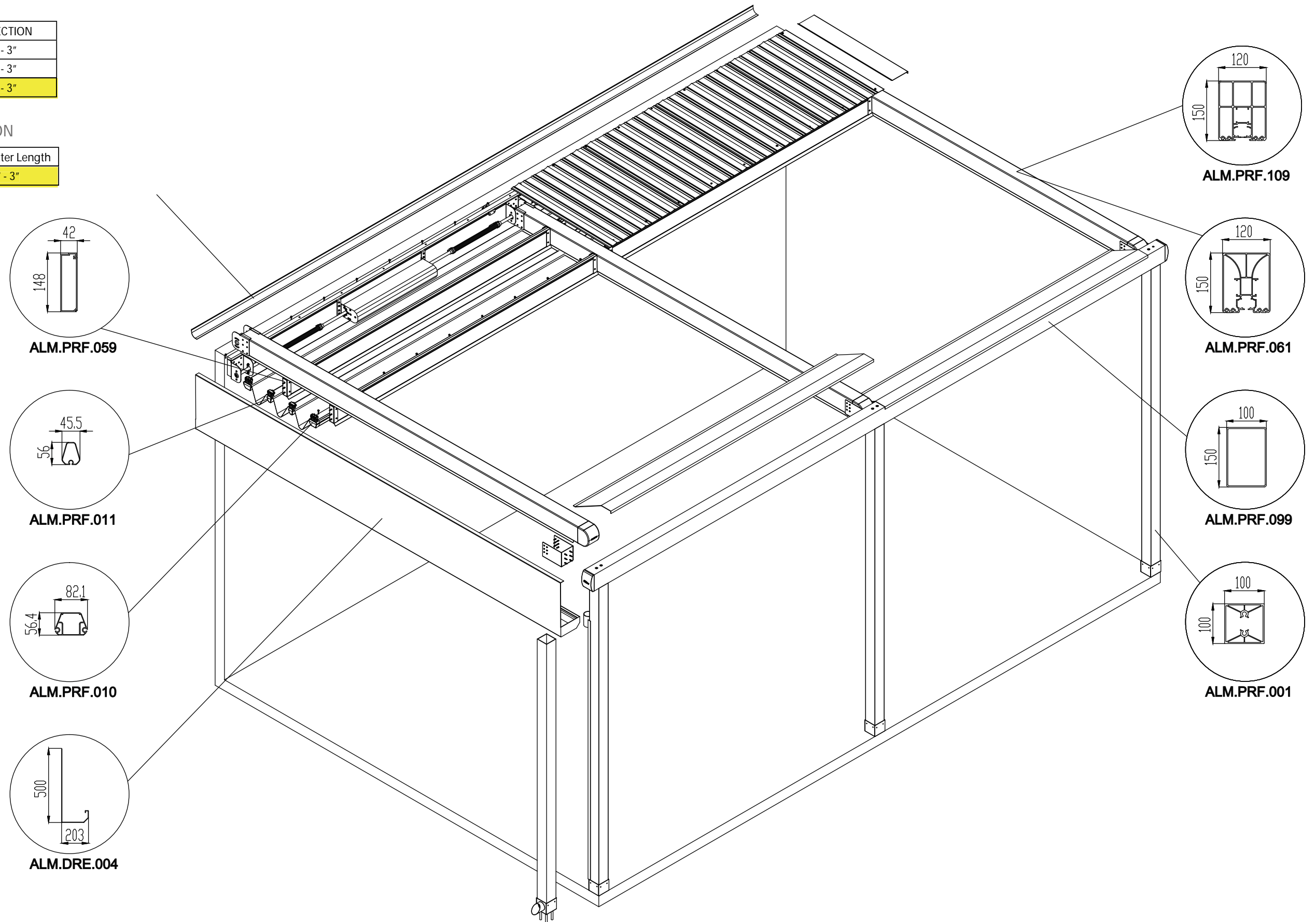
Rooftop Awning Specs & Details

MAXIMUM DIMENSIONS

	WIDTH	PROJECTION
2 RAILS	14' - 9"	26' - 3"
3 RAILS	29' - 6"	26' - 3"
4 RAILS	42' - 7"	26' - 3"

DOWN PIPE & GUTTER CALCULATION

Type	Max. m ²	Max. Gutter Length
Standard (ø 60mm)	39 m ² /pcs	26' - 3"



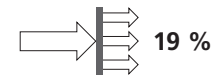
Technical specifications – fabric

Fabric material: **ePTFE (e polytetrafluorethylenen)**
 Coating material: **100 % fluoropolymer**
 Fabric width: **157.5 cm | 62 "**
 Weave: **Plain weave 1:1**
 Weight: **1080 g/m² | 31.85 oz/yd²**
 Thickness: **0.55 mm | 0.022 "**
 Max. tensile strength, warp: **4000 N/5cm to EN ISO 13934-1**
 Max. tensile strength, weft: **4000 N/5cm to EN ISO 13934-1**
 Trapezoidal tear, warp: **798 N to ASTM D4851**
 Trapezoidal tear, weft: **752 N to ASTM D4851**
 Water column: **> 10000 (142.23 psi)**
 Fire behaviour: **B1 to DIN 4102; B-s1, d0 to DIN EN 13501-1**
Class A to ASTM E84; NFPA 701

Technical specifications – light transmission

Degree of transmission: **19 % to ASTM D 1003**
 Degree of reflection: **79 %**
 Absorption: **2 %**

Light transmission



Diffuse light component (haze)
 Very high

Outdoor applications

Large-scale, retractable or nonretractable permanent structures, roofings, membrane structures, etc.

Benefits

Permanently UV-resistant and colour-fast, foldable, dirt- and waterrepellent, free of any plasticizers, no absorption of moisture, high functional and aesthetic qualities thanks to optimized technical specifications for fabric manufacture and light transmission

Fabric specifications

4T = 4000 N/5cm
20 = 20 % Light transmission
HF = High frequency

Specifications can be changed any time without advance notice. The textile structure of SEFAR® Architecture fabrics are state of the art, slight variations in the appearance of the fabric are due to small differences in raw materials and production processes. Please consider all technical information and guidelines of SEFAR® Architecture. Further detailed specifications for light and acoustics planners on demand.

Architecture



Rooftop Awning Specs & Details

PROPOSED FABRIC:

TENARA OR COMPARABLE QUALITY PRODUCT, COLOR 'WHITE'
TENARA FABRIC IS CURRENTLY USED AT JUVIA, 1111 LINCOLN RD
A SAMPLE WILL BE PROVIDED AT THE HPB BOARD HEARING



PROPOSED WHITE TENARA FABRIC
 SAMPLE TO BE PROVIDED AT BOARD
 HEARING