

EXISTING TREE INVENTORY										
SURVEY NO.	SCIENTIFIC NAME	COMMON NAME	DBH (IN)	HT (FT.)	SP. (FT.)	CONDITION	SPECIMEN (YES OR NO)	NOTES	DISPOSITION	PROPOSED TOTAL DIAMETER OF TREE(S) TO BE REMOVED (SUM OF INCHES AT DBH)
1	<i>Quercus virginiana</i>	Live Oak	12.74	30	15	FAIR	YES	LARGE BRANCH REMOVED	RELOCATE	
2	<i>Quercus virginiana</i>	Live Oak	12.42	25	15	FAIR	YES		RELOCATE	
3	<i>Quercus virginiana</i>	Live Oak	14.01	30	30	FAIR	YES	NICE STRUCTURE	RELOCATE	
4	<i>Quercus virginiana</i>	Live Oak	14.97	30	30	FAIR	YES	NICE STRUCTURE	RELOCATE	
5	<i>Quercus virginiana</i>	Live Oak	8.60	25	25	FAIR	NO	NICE STRUCTURE	REMAIN	
6	<i>Quercus virginiana</i>	Live Oak	11.46	22	20	FAIR	NO	UNSYMMETRICAL CANOPY	REMAIN	
7	<i>Cassia fistula</i>	Golden Shower	11.46 & 11.46 & 13.38	30	50	FAIR	YES	CANOPY DIEBACK, MULTIPLE DEAD BRANCHES	REMAIN	
8	<i>Phoenix roebelenii</i>	Pygmy Date Palm	4.14 & 4.14	14	16	FAIR	NO	MULTI-TRUNK	RELOCATE	
9	<i>Phoenix roebelenii</i>	Pygmy Date Palm	4.14 & 4.14	14	17	POOR	NO	MULTI-TRUNK, DAMAGED TRUNK	REMOVE	8.28
10	<i>Phoenix roebelenii</i>	Pygmy Date Palm	4.14 & 4.14	16	16	FAIR	NO	MULTI-TRUNK	RELOCATE	
11	<i>Quercus virginiana</i>	Live Oak	3.50	12	6	POOR	NO		REMOVE	3.50
12	<i>Roystonea regia</i>	Royal Palm	18.79	40	25	FAIR	YES		RELOCATE	
13	<i>Bismarckia nobilis</i>	Bismark Palm	14.00	27	25	FAIR	YES		RELOCATE	
14	<i>Bismarckia nobilis</i>	Bismark Palm	14.00	27	25	FAIR	YES		RELOCATE	
15	<i>Roystonea regia</i>	Royal Palm	16.56	30	25	FAIR	YES		RELOCATE	
16	<i>Roystonea regia</i>	Royal Palm	17.20	40	25	FAIR	YES		RELOCATE	
17	<i>Roystonea regia</i>	Royal Palm	15.92	30	25	FAIR	YES		RELOCATE	
18	<i>Phoenix roebelenii</i>	Pygmy Date Palm	4.14 & 4.14	14	18	FAIR	NO		REMAIN	
19	<i>Phoenix roebelenii</i>	Pygmy Date Palm	4.14 & 4.14	12	16	POOR	NO		REMAIN	
20	<i>Swietenia mahagoni</i>	Mahogany Tree	5.41	22	20	GOOD	NO		RELOCATE	
21	<i>Swietenia mahagoni</i>	Mahogany Tree	5.10	18	15	GOOD	NO		RELOCATE	
22	<i>Swietenia mahagoni</i>	Mahogany Tree	4.78	25	15	GOOD	NO		RELOCATE	
23	<i>Swietenia mahagoni</i>	Mahogany Tree	4.78	18	15	GOOD	NO		RELOCATE	
24	<i>Caesalpinia granadillo</i>	Bridalveil Tree	1.50	11	4	GOOD	NO		REMAIN	
25	<i>Cassia fistula</i>	Golden Shower	32.48	35	50	FAIR	YES	CANOPY DIEBACK, MULTIPLE DEAD BRANCHES	REMOVE	32.48
26	<i>Phoenix roebelenii</i>	Pygmy Date Palm	4.14 & 4.14	16	20	FAIR	NO	MULTI-TRUNK	RELOCATE	
27	<i>Phoenix roebelenii</i>	Pygmy Date Palm	4.14 & 4.14	12	16	FAIR	NO	MULTI-TRUNK	RELOCATE	
28	<i>Phoenix roebelenii</i>	Pygmy Date Palm	4.14 & 4.14	12	12	FAIR	NO	MULTI-TRUNK	RELOCATE	
29	<i>Quercus virginiana</i>	Live Oak	15.61	30	30	FAIR	YES		RELOCATE	
30	<i>Quercus virginiana</i>	Live Oak	11.15	35	25	FAIR	NO		RELOCATE	
31	<i>Quercus virginiana</i>	Live Oak	11.78	30	25	FAIR	NO		REMAIN	
32	<i>Quercus virginiana</i>	Live Oak	12.74	30	25	FAIR	YES	NICE STRUCTURE	REMAIN	
33	<i>Lysiloma latissiliquum</i>	Native Tamarind	4.00	16	12	GOOD	NO		REMAIN	
34	<i>Schefflera actinophylla</i>	Queensland Umbrella Tree	24.00	30	25	GOOD	YES	INVASIVE	REMAIN	
PROPOSED TOTAL DIAMETER OF TREE(S) TO BE REMOVED (SUM OF INCHES AT DBH)										44.27

LEGEND

- ⊗ REMOVE
- ⊕ REMAIN
- ♂ RELOCATE
- ▨ TREE PROTECTION ZONE FENCE

TREE/PALM PROTECTION FENCES SHALL BE CONSTRUCTED PRIOR TO ANY CONSTRUCTION ACTIVITY INCLUDING GRUBBING FOR ALL TREES/PALMS THAT ARE TO REMAIN, BE PROTECTED OR BE RELOCATED

NO ACTIVITY OR DISTURBANCE SHOULD OCCUR WITHIN THE FENCED AREAS, INCLUDING VEHICLE USE, STORAGE OF MATERIALS, DUMPING OF LIQUIDS OR MATERIALS, GRADE CHANGES, GRUBBING, AND MECHANICAL TRENCHING FOR IRRIGATION, ELECTRICAL, LIGHTING, ETC.

IN NO CASE SHALL THE FENCE BE INSTALLED LESS THAN TEN FEET FROM THE TRUNK



TREE + PALM PROTECTION BARRIERS TO EXTEND BEYOND THE 'DRIPLINE' OR TO THE 'CRITICAL ROOT ZONE AREA' OF ALL TREES/PALMS TO BE PROTECTED. EXTEND WHERE NECESSARY TO PROTECT TREE CANOPY ROOTS

BARRIERS SHALL BE A MINIMUM OF FOUR FEET HIGH, AND SHALL BE CONSTRUCTED OF CONTINUOUS CHAIN LINK FENCE WITH METAL POSTS AT EIGHT-FOOT SPACING OR 2"x4" POSTS WITH THREE EQUALLY SPACED 2"x4" RAILS. POSTS MAY BE SHIFTED TO AVOID ROOTS.

PROTECTION DETAIL NOTE: CONTRACTOR TO INSTALL 'TREE/PALM PROTECTION FENCE BARRIERS' AROUND ALL EXISTING TREES OR PALMS AT THE START OF THE PROJECT. BARRIERS TO REMAIN IN PLACE THROUGHOUT THE DURATION OF THE PROJECT AND SHOULD NOT BE REMOVED OR DROPPED FOR ANY REASON WITHOUT AUTHORIZATION FROM THE CITY OF MIAMI BEACH URBAN FORESTER + PLANNING + ZONING DEPARTMENT

C.M.B. TREE / PALM PROTEC. DETAIL
FINAL SUBMITTAL - 07-07-2023 -DRB23-0943
EXISTING TREE DISPOSITION



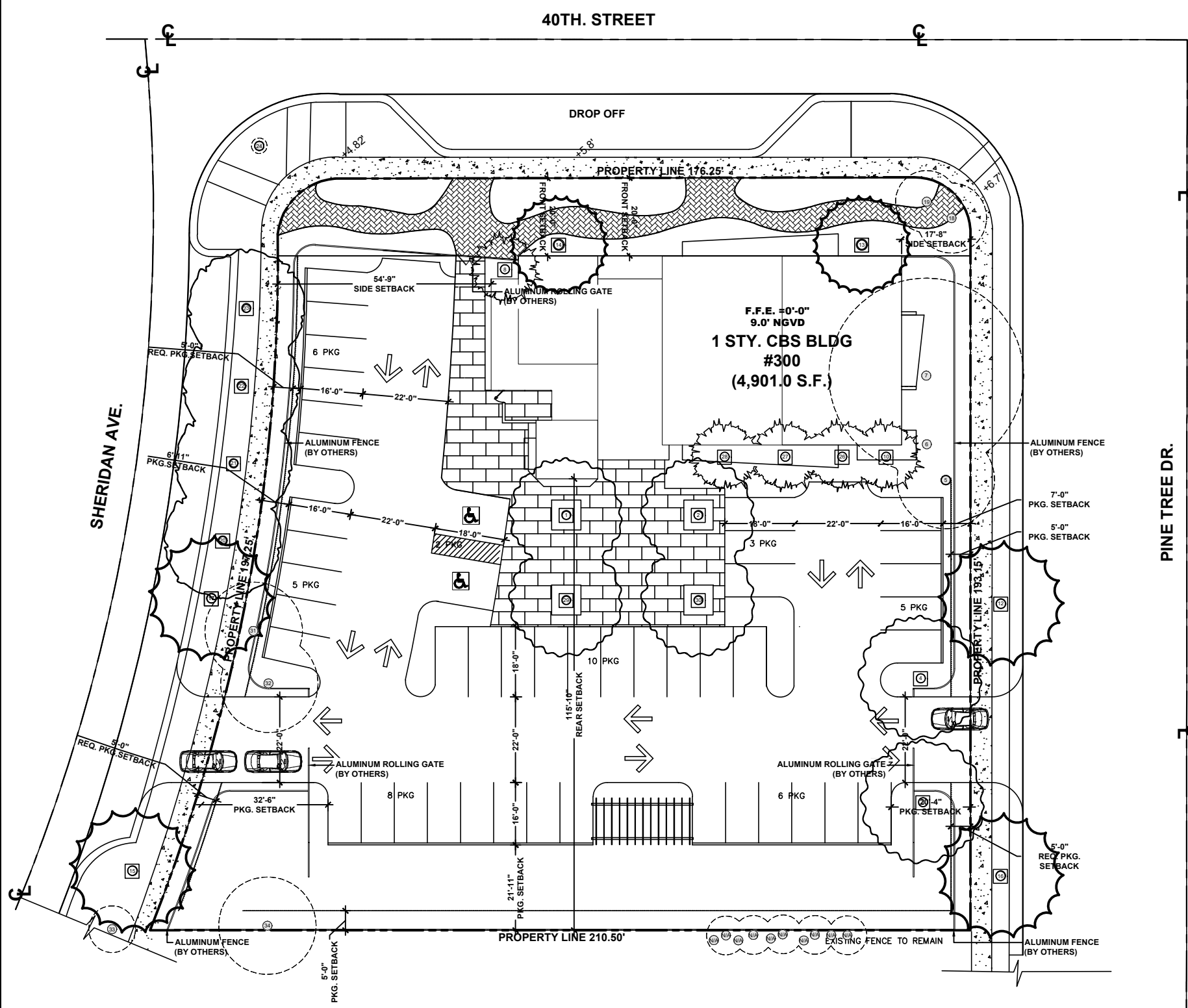
PETAR STRACENSKI
 RLA #A6667526
 1906 TigerTail Ave. Miami, FL 33133
 strata-landarch.com | 305.747.9336

JW CONGREGATION BUILDING
 PROJECT ADDRESS: 300 W 40TH STREET, MIAMI BEACH, FL 33140

REV.	DATE	DESCRIPTION

PROJECT NO: 001_23
 PHASE: CONSTRUCTION
 DATE: 06/20/2023
 DRAWN: D.C.
 CHECKED: P.S.

SHEET TITLE: EXISTING TREE DISPOSITION
 SHEET NO. L-1



EXISTING TREE INVENTORY

SURVEY NO.	SCIENTIFIC NAME	COMMON NAME	DBH (IN)	HT (FT.)	SP. (FT.)	CONDITION	SPECIMEN (YES OR NO)	NOTES	DISPOSITION
1	<i>Quercus virginiana</i>	Live Oak	12.74	30	15	FAIR	YES	LARGE BRANCH REMOVED	RELOCATE
2	<i>Quercus virginiana</i>	Live Oak	12.42	25	15	FAIR	YES		RELOCATE
3	<i>Quercus virginiana</i>	Live Oak	14.01	30	30	FAIR	YES	NICE STRUCTURE	RELOCATE
4	<i>Quercus virginiana</i>	Live Oak	14.97	30	30	FAIR	YES	NICE STRUCTURE	RELOCATE
5	<i>Quercus virginiana</i>	Live Oak	8.60	25	25	FAIR	NO	NICE STRUCTURE	REMAIN
6	<i>Quercus virginiana</i>	Live Oak	11.46	22	20	FAIR	NO	UNSYMMETRICAL CANOPY	REMAIN
7	<i>Cassia fistula</i>	Golden Shower	11.46 & 11.46 & 13.38	30	50	FAIR	YES	CANOPY DIEBACK, MULTIPLE DEAD BRANCHES	REMAIN
8	<i>Phoenix roebelenii</i>	Pygmy Date Palm	4.14 & 4.14	14	16	FAIR	NO	MULTI-TRUNK	RELOCATE
10	<i>Phoenix roebelenii</i>	Pygmy Date Palm	4.14 & 4.14	16	16	FAIR	NO	MULTI-TRUNK	RELOCATE
12	<i>Roystonea regia</i>	Royal Palm	18.79	40	25	FAIR	YES		RELOCATE
13	<i>Bismarckia nobilis</i>	Bismark Palm	14.00	27	25	FAIR	YES		RELOCATE
14	<i>Bismarckia nobilis</i>	Bismark Palm	14.00	27	25	FAIR	YES		RELOCATE
15	<i>Roystonea regia</i>	Royal Palm	16.56	30	25	FAIR	YES		RELOCATE
16	<i>Roystonea regia</i>	Royal Palm	17.20	40	25	FAIR	YES		RELOCATE
17	<i>Roystonea regia</i>	Royal Palm	15.92	30	25	FAIR	YES		RELOCATE
18	<i>Phoenix roebelenii</i>	Pygmy Date Palm	4.14 & 4.14	14	18	FAIR	NO		REMAIN
19	<i>Phoenix roebelenii</i>	Pygmy Date Palm	4.14 & 4.14	12	16	POOR	NO		REMAIN
20	<i>Swietenia mahagnoni</i>	Mahogany Tree	5.41	22	20	GOOD	NO		RELOCATE
21	<i>Swietenia mahagnoni</i>	Mahogany Tree	5.10	18	15	GOOD	NO		RELOCATE
22	<i>Swietenia mahagnoni</i>	Mahogany Tree	4.78	25	15	GOOD	NO		RELOCATE
23	<i>Swietenia mahagnoni</i>	Mahogany Tree	4.78	18	15	GOOD	NO		RELOCATE
24	<i>Caesalpinia granadillo</i>	Bridalveil Tree	1.50	11	4	GOOD	NO		REMAIN
26	<i>Phoenix roebelenii</i>	Pygmy Date Palm	4.14 & 4.14	16	20	FAIR	NO	MULTI-TRUNK	RELOCATE
27	<i>Phoenix roebelenii</i>	Pygmy Date Palm	4.14 & 4.14	12	16	FAIR	NO	MULTI-TRUNK	RELOCATE
28	<i>Phoenix roebelenii</i>	Pygmy Date Palm	4.14 & 4.14	12	12	FAIR	NO	MULTI-TRUNK	RELOCATE
29	<i>Quercus virginiana</i>	Live Oak	15.61	30	30	FAIR	YES		RELOCATE
30	<i>Quercus virginiana</i>	Live Oak	11.15	35	25	FAIR	NO		RELOCATE
31	<i>Quercus virginiana</i>	Live Oak	11.78	30	25	FAIR	NO		REMAIN
32	<i>Quercus virginiana</i>	Live Oak	12.74	30	25	FAIR	YES	NICE STRUCTURE	REMAIN
33	<i>Lysiloma latsiliquum</i>	Native Tamarind	4.00	16	12	GOOD	NO		REMAIN
34	<i>Schefflera actinophylla</i>	Queensland Umbrella Tree	24.00	30	25	GOOD	YES	INVASIVE	REMAIN

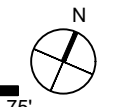
LEGEND

- ⊕ REMAIN
- ⊕ RELOCATION LOCATION

FINAL SUBMITTAL - 07-07-2023 -DRB23-0943

RELOCATION PLAN

SCALE: 1/32" = 1'-0"



PETAR STRACENSKI
 RLA #LA6667526
 1906 Tigertrail Ave. Miami, FL 33133
 strata-landarch.com | 305.747.9336

JW CONGREGATION BUILDING
 PROJECT ADDRESS: 300 W 40TH STREET, MIAMI BEACH, FL 33140

REV.	DATE	DESCRIPTION

PROJECT NO: 001_23
 PHASE: CONSTRUCTION
 DATE: 06/20/2023
 DRAWN: D.C.
 CHECKED: P.S.

SHEET TITLE: **RELOCATION PLAN**
 SHEET NO. **L-2**

TREE / PALM PROTECTION NOTES

1. CONTRACTOR QUALIFICATIONS

- 1.1. CONTRACTOR MUST BE A LICENSED LANDSCAPE CONTRACTOR.
- 1.2. CONTRACTOR MUST HAVE A MINIMUM OF 10 YEARS OF PROVEN EXPERIENCE RELOCATING LARGE SPECIMEN TREES AND PALMS IN SOUTH FLORIDA.
- 1.3. CONTRACTOR MUST HAVE PROVEN EXPERIENCE RELOCATING TREES AND PALMS OF THE SAME SPECIES AND SIZE AS THOSE TO BE RELOCATED FOR THE CURRENT PROJECT.
- 1.4. CONTRACTOR MUST HAVE A CERTIFIED ARBORIST ON STAFF.

2. CONTRACTOR REQUIREMENTS

- 2.1. CONTRACTOR MUST VISIT THE JOBSITE AND INSPECT ALL TREES AND PALMS TO BE RELOCATED AS WELL AS EXISTING SITE CONDITIONS AND RESTRICTIONS PRIOR TO PREPARING BID.
- 2.2. CONTRACTOR MUST VERIFY AND ENSURE THAT ALL TREES AND PALMS IDENTIFIED ON THE PLANS AND THOSE TAGGED ON THE JOBSITE CORRESPOND AS TO NUMBER AND DESCRIPTION. ANY DISCREPANCIES MUST BE BROUGHT TO THE ATTENTION OF THE LANDSCAPE ARCHITECT IMMEDIATELY, PRIOR TO PREPARING BID.
- 2.3. CONTRACTOR MUST CONDUCT ALL WORK ASSOCIATED WITH RELOCATION AND MAINTENANCE OF TREES AND PALMS TO BE RELOCATED. NO WORK IS TO BE SUBCONTRACTED WITHOUT PRIOR WRITTEN CONSENT OF THE OWNER AND/OR LANDSCAPE ARCHITECT.
- 2.4. CONTRACTOR MUST DESIGNATE A COMPETENT, ENGLISH-SPEAKING SUPERVISOR OR FOREMAN TO OVERSEE AND DIRECT ALL RELOCATION AND MAINTENANCE ACTIVITIES AS OUTLINED IN THESE SPECIFICATIONS.
- 2.5. CONTRACTOR MUST SCHEDULE ROOT PRUNING TO PROVIDE THE MAXIMUM POSSIBLE TIME FOR NEW ROOT GROWTH. EVEN TREES AND PALMS THAT TYPICALLY DO NOT REQUIRE LONG (OR ANY) ROOT PRUNING WILL BENEFIT FROM MORE ROOT PRUNING TIME; THEREFORE, ALL TREES AND PALMS TO BE RELOCATED MUST BE ROOT PRUNED. CONTRACTOR MUST PROVIDE A ROOT PRUNE SCHEDULE FOR EACH TREE OR PALM TO BE RELOCATED AS AN ATTACHMENT TO THE BID.
- 2.6. CONTRACTOR MUST CALL SUNSHINE 811 TO HAVE ALL UNDERGROUND UTILITIES LOCATED UNDER OR IN THE VICINITY OF THE CURRENT OR FUTURE LOCATIONS OF ALL TREES AND PALMS TO BE RELOCATED PRIOR TO WORK COMMENCING.
- 2.7. CONTRACTOR MUST VERIFY WITH THE GENERAL CONTRACTOR THE ABSENCE OF ANY UNDERGROUND CONSTRUCTION OR OBSTRUCTIONS (E.G., BULKHEADS, SEPTIC SYSTEMS, ETC.) IN THE CURRENT AND FUTURE LOCATIONS OF ALL TREES AND PALMS TO BE RELOCATED.
- 2.8. CONTRACTOR MUST ALERT THE LANDSCAPE ARCHITECT OF ANY TREES OR PALMS THAT WILL NOT SUCCESSFULLY RELOCATE DUE TO POOR HEALTH PRIOR TO BEGINNING ROOT PRUNING.
- 2.9. CONTRACTOR MUST FLAG ALL PROPOSED TRANSPLANT LOCATIONS FOR THE LANDSCAPE ARCHITECT'S APPROVAL A MINIMUM OF 15 DAYS PRIOR TO RELOCATION.
- 2.10. CONTRACTOR MUST ENSURE THAT ALL TREES AND PALMS TO BE RELOCATED ARE INSTALLED AT THE CORRECT GRADE OR ELEVATION, ACCORDING TO THE GRADING PLAN.
- 2.11. CONTRACTOR MUST ENSURE THAT ALL ROOT FLARES ARE EXPOSED AFTER RELOCATION.
- 2.12. CONTRACTOR MUST REMOVE ALL RESIDUAL ROOTS, STUMPS, AND PORTIONS THEREOF AND BACKFILL PITS FROM WHICH RELOCATED TREES AND PALMS WERE REMOVED WITH CLEAN FILL FLUSH WITH THE SURROUNDING GRADE.
- 2.13. CONTRACTOR MUST REPAIR ANY DAMAGE TO OTHER PLANTS, LAWN, HARDSCAPES, OR NEW CONSTRUCTION WITHIN THE RELOCATION AREA AT CONTRACTOR'S EXPENSE. HARDSCAPES INCLUDE BUT ARE NOT LIMITED TO CURBS, WALKS, ROADS, FENCES, SITE FURNISHINGS, ETC.
- 2.14. CONTRACTOR MUST PHOTOGRAPHICALLY DOCUMENT NEW ROOT GROWTH FOLLOWING EACH ROOT PRUNE AND SUBMIT THIS DOCUMENTATION TO THE LANDSCAPE ARCHITECT. THE PURPOSE OF THIS REQUIREMENT IS TO ENSURE THAT SUFFICIENT ROOT GROWTH HAS OCCURRED PRIOR TO THE SECOND AND SUBSEQUENT ROOT PRUNES AND FOLLOWING THE FINAL ROOT PRUNE PRIOR TO RELOCATION.
- 2.15. CONTRACTOR MUST INSTALL AND MAINTAIN PROTECTION FENCING AROUND EACH TREE AND PALM TO BE RELOCATED BOTH DURING ROOT PRUNING AND AFTER RELOCATION. PROTECTION FENCING MUST CONSIST OF GALVANIZED WELDED WIRE FABRIC OR PLASTIC MESH ATTACHED TO 4" X 4" POSTS INSERTED AROUND THE PERIMETER OF THE DRIPLINE OF THE TREE OR PALM. PROTECTION FENCING MUST BE PLUMB, TAUT, AND STURDY AT ALL TIMES AND MUST REMAIN IN PLACE THROUGHOUT THE ROOT PRUNING AND WARRANTY PERIODS, OR AS DIRECTED BY THE LANDSCAPE ARCHITECT.
- 2.16. CONTRACTOR MUST OBTAIN ALL NECESSARY OR REQUIRED PERMITS FOR THE RELOCATION AND TRANSPORTATION OF THE TREES AND PALMS TO BE RELOCATED.
- 2.17. CONTRACTOR MUST REPLACE ANY TREES OR PALMS SCARRED OR DAMAGED DURING RELOCATION, AT THE CONTRACTOR'S EXPENSE, WITH THE SAME OR SIMILAR SPECIES, SIZE, AND QUALITY. REPLACEMENT TREES OR PALMS MUST BE APPROVED BY THE LANDSCAPE ARCHITECT PRIOR TO PROCUREMENT, PREPARATION, AND/OR INSTALLATION. REPLACEMENT TREES AND PALMS MUST BE INSTALLED WITHIN 60 DAYS OF NOTICE.
- 2.18. CONTRACTOR MUST GUARANTEE ALL RELOCATED TREES AND PALMS FOR ONE YEAR FROM THE DATE OF RELOCATION TO THE FINAL LOCATION. GUARANTEE MUST INCLUDE TREE HEALTH AND SETTLING.
- 2.19. CONTRACTOR MUST PROVIDE ALL MATERIAL NECESSARY TO PERFORM THE WORK COVERED HEREIN, INCLUDING BUT NOT LIMITED TO BACKFILL MATERIAL, PROTECTION FENCING, FLAGGING, ADDITIVES AND SUPPLEMENTS, TEMPORARY IRRIGATION, BURLAP, WIRE, SHRINK WRAP, AND ALL NECESSARY TOOLS AND EQUIPMENT.

3. ROOT PRUNING SPECIFICATIONS

3.1. GENERAL

- 3.1.1. ALL TREES AND PALMS TO BE RELOCATED MUST BE WATERED DAILY FOR AT LEAST 2-3 DAYS PRIOR TO ANY ROOTS BEING CUT TO ENSURE THAT THEY ARE FULLY HYDRATED. EACH WATERING MUST THOROUGHLY SATURATE THE ROOTBALL TO ITS FULL DEPTH.
- 3.1.2. EACH TREE AND PALM MUST THEN BE WATERED EVERY OTHER DAY, NOT RELYING ON RAIN, DURING THE ENTIRE ROOT PRUNING PROCESS EITHER BY A TEMPORARY IRRIGATION SYSTEM OR BY HAND. EACH WATERING MUST THOROUGHLY SATURATE THE ROOTBALL TO ITS FULL DEPTH.
- 3.1.3. TREE AND PALM RELOCATION ACTIVITIES MUST BE SCHEDULED SO THAT REMOVAL AND REPLANTING TAKE PLACE IN THE SAME 24-HOUR PERIOD. NO TREES OR PALMS MAY BE "STOCKPILED" ONSITE OR OFFSITE FOR ANY PERIOD OF TIME WITHOUT PRIOR WRITTEN APPROVAL OF THE LANDSCAPE ARCHITECT. WHEN ALLOWED, APPROVAL FOR THE METHOD OF "STOCKPILING" MUST BE OBTAINED

FROM THE LANDSCAPE ARCHITECT.

- 3.1.4. ALL DIGGING IN THE ROOT ZONE DURING THE ROOT PRUNE PROCESS MUST BE DONE BY HAND; NO MACHINERY WILL BE ALLOWED. PRUNING OF ROOTS MUST BE DONE BY HAND WITH CLEAN, SHARP TOOLS. DO NOT PAINT CUT ROOTS WITH TREE PAINT OR ANY KIND OF SEALANT.
- 3.1.5. MYCORRHIZA (ROOTS® TRANSPLANT OR EQUIVALENT) MUST BE INCORPORATED INTO THE BACKFILL SOIL PRIOR TO BACKFILLING AS PER MANUFACTURER'S RECOMMENDATIONS.
- 3.1.6. AFTER EACH ROOT PRUNE, EACH SECTION OF ROOTBALL THAT IS PRUNED MUST BE WRAPPED WITH BLACK PLASTIC AND THE TRENCH BACKFILLED WITH ORIGINAL EXCAVATED SOIL. A TREE RING WITH A MINIMUM HEIGHT OF 6" MUST BE CONSTRUCTED 6-12" OUTSIDE THE OUTERMOST EDGE OF THE ROOTBALL AND AROUND THE ENTIRE PERIMETER OF THE ROOTBALL TO DIRECT IRRIGATION WATER AND ANY ADDED SUPPLEMENTS DOWN INTO THE ROOTBALL DURING ROOT REGENERATION.
- 3.1.7. ONCE THE TREE RING IS CONSTRUCTED AFTER EACH ROOT PRUNE, A HIGH-PHOSPHORUS ROOT STIMULANT MUST BE LIBERALLY APPLIED TO THE SURFACE OF THE ROOTBALL AND THOROUGHLY WATERED IN TO ENCOURAGE NEW ROOT GROWTH.

3.2. TREES

- 3.2.1. PRIOR TO ANY ROOTS BEING CUT, ALL MAJOR ROOTS MUST BE IDENTIFIED TO DETERMINE THE ROOTBALL DIAMETER BASED ON THE RELATIVE LOCATION AND SIZE OF THE ROOTS.
- 3.2.2. MANY TREE RELOCATION SPECIFICATIONS USE "GENERAL RULES" TO CALCULATE MINIMUM ROOTBALL DIAMETER, SUCH AS MULTIPLYING THE DIAMETER AT BREAST HEIGHT (DBH) OF THE TREE BY A FACTOR OF 10 OR ALLOWING A MINIMUM OF 9"-12" OF ROOTBALL FOR EVERY 1" OF TREE CALIPER. OTHERS LIST UNREALISTIC MINIMUM SIZES FOR THE ROOTBALLS OF VARIOUS TREE CALIPERS OR HEIGHTS. IN MANY CASES, SUCH APPROACHES RESULT IN ROOTBALLS THAT ARE EITHER TOO LARGE OR TOO SMALL FOR A GIVEN TREE. THE FOLLOWING TABLE LISTS MINIMUM ROOTBALL DIAMETERS BASED ON REAL-WORLD EXPERIENCE OF TREE RELOCATION SPECIALISTS IN SOUTH FLORIDA:

CALIPER (inches)	MIN. ROOTBALL DIA. (feet)	CALIPER (inches)	MIN. ROOTBALL DIA. (feet)
1 - 4	3	12 - 14	8
4 - 5	4	15 - 17	10
6 - 7	5	18 - 24	12 - 15
8 - 9	6	25 - 30	15 - 25
10 - 11	7	30 +	as needed

- 3.2.3. WHENEVER POSSIBLE, ROOTBALLS MUST BE CIRCULAR IN SHAPE WITH AN EQUAL DISTANCE FROM THE TRUNK TO THE EDGE OF THE ROOTBALL ALL AROUND.
- 3.2.4. MINIMUM ROOTBALL DEPTH MUST BE 24"-36" FOR ALL TREES TO BE RELOCATED, WITH THE ACTUAL DEPTH TO BE DETERMINED ONLY AFTER A THOROUGH EXAMINATION OF ALL ROOTS DURING THE INITIAL ROOT INSPECTION AND BASED ON THE ABSENCE OF MAJOR ROOTS AT THE BOTTOM OF THE ROOTBALL. ROOTBALLS DEEPER THAN 36" MAY BE REQUIRED FOR LARGE SPECIMEN TREES, DEPENDING ON THE RELATIVE LOCATIONS AND DEPTHS OF THE MAJOR ROOTS AS OBSERVED DURING THE INITIAL ROOT INSPECTION.
- 3.2.5. AS A GENERAL RULE, MINIMUM ROOT PRUNE TIME FOR TREES WITH A DBH OF LESS THAN 10" IS 12 WEEKS. THE FIRST ROOT PRUNE MUST BE ON TWO OPPOSING SIDES OF THE ROOTBALL, WITH THE SECOND ROOT PRUNE ON ONE OF THE OTHER TWO SIDES DONE A MINIMUM OF 6 WEEKS LATER, AND A THIRD ROOT PRUNE ON THE LAST SIDE DONE A MINIMUM OF 3 WEEKS AFTER THAT. THE SECOND AND THIRD ROOT PRUNES MAY ONLY BE DONE WHEN HEALTHY NEW ROOT GROWTH FROM EARLIER ROOT PRUNES IS EVIDENT (SEE SECTION 2.14 ABOVE FOR SPECIFICATIONS ON PHOTOGRAPHICALLY DOCUMENTING NEW ROOT GROWTH DURING THE ROOT PRUNE PROCESS). MORE TIME MAY BE NEEDED DURING THE COOLER MONTHS OF THE YEAR.
- 3.2.6. AS A GENERAL RULE, MINIMUM ROOT PRUNE TIME FOR TREES WITH A DBH OF 10" OR GREATER IS 24 WEEKS. THE FIRST ROOT PRUNE MUST BE ON TWO OPPOSING SIDES OF THE ROOTBALL, WITH THE SECOND ROOT PRUNE ON ONE OF THE OTHER TWO SIDES DONE A MINIMUM OF 12 WEEKS LATER, AND A THIRD ROOT PRUNE ON THE LAST SIDE DONE A MINIMUM OF 6 WEEKS AFTER THAT. THE SECOND AND THIRD ROOT PRUNES MAY ONLY BE DONE WHEN HEALTHY NEW ROOT GROWTH FROM EARLIER ROOT PRUNES IS EVIDENT (SEE SECTION 2.14 ABOVE FOR SPECIFICATIONS ON PHOTOGRAPHICALLY DOCUMENTING NEW ROOT GROWTH DURING THE ROOT PRUNE PROCESS). MORE TIME MAY BE NEEDED DURING THE COOLER MONTHS OF THE YEAR.
- 3.2.7. CERTAIN HARDWOOD TREES AND GYMNOSPERMS REQUIRE LONGER ROOT PRUNING TIMES. THESE INCLUDE, BUT ARE NOT LIMITED TO, THE FOLLOWING:
 - AVOCADO (*PERSEA AMERICANA*)
 - BLACK OLIVE (*BUCIDA BUCERA*S)
 - BRIDALVEIL (*CAESALPINIA GRANADILLO*)
 - CASSIAS (ALL SPECIES OF *CASSIA*)
 - LIGNUM VITAE (*GUAIAACUM SANCTUM & G. OFFICINALE*)
 - PODOCARPUS (*PODOCARPUS* SP.)
 - LIVE OAK (*QUERCUS VIRGINIANA*)
 - MAHOGANY (*SWIETENIA MAHAGONI*)
 - MANGO (*MANGIFERA INDICA*)
 - PIGEON PLUM (*COCCOLOBA DIVERSIFOLIA*)
 - SWEET ACACIA (*ACACIA FARNESIANA*)
 - VERAWOOD (*BULNESIA ARBOREA*)
 - WILD TAMARIND (*LYSILOMA LATISILIQUUM & L. SABICU*)

FOR THESE TREES, THE MINIMUM ROOT PRUNE TIMES DISCUSSED IN SECTIONS 3.2.5 AND 3.2.6 ABOVE MAY BE INSUFFICIENT. ONLY WHEN SUFFICIENT NEW ROOT GROWTH HAS TAKEN PLACE FOLLOWING AN EARLIER ROOT PRUNE CAN THE NEXT ROOT PRUNE BE DONE, AND ONLY WHEN SUFFICIENT NEW ROOT GROWTH HAS TAKEN PLACE FOLLOWING THE FINAL ROOT PRUNE MAY THE TREE BE RELOCATED (SEE SECTION 2.14 ABOVE FOR SPECIFICATIONS ON PHOTOGRAPHICALLY DOCUMENTING NEW ROOT GROWTH DURING THE ROOT PRUNE PROCESS).

3.1. PALMS

- 3.1.1. THE FOLLOWING TABLE LISTS MINIMUM ROOTBALL DIAMETERS FOR VARIOUS SPECIES OF PALMS BASED ON REAL-WORLD EXPERIENCE OF RELOCATION SPECIALISTS IN SOUTH FLORIDA:
- | PALM SPECIES | ROOTBALL SPECIFICATIONS |
|-----------------------|---------------------------------------|
| SABAL / CABBAGE PALM | 36" diameter |
| QUEEN & FOXTAIL PALMS | 12" from trunk in all directions |
| ROYAL & COCONUT PALMS | 18 - 24" from trunk in all directions |
| CANARY DATE PALM | 24" from trunk in all directions |
| SLOW-GROWING PALMS | 24" from trunk in all directions |

- 3.1.2. PALM ROOTBALLS MUST BE A MINIMUM OF 24" DEEP. WHENEVER POSSIBLE, ROOTBALLS MUST BE CIRCULAR IN SHAPE WITH AN EQUAL DISTANCE FROM THE TRUNK TO THE EDGE OF THE ROOTBALL ALL AROUND..
- 3.1.3. AS A GENERAL RULE, MINIMUM ROOT PRUNE TIME FOR PALMS IS 6-8 WEEKS. THE FIRST ROOT PRUNE MUST BE ON TWO OPPOSING SIDES OF THE ROOTBALL, WITH THE SECOND ROOT PRUNE ON ONE OF THE OTHER TWO SIDES DONE A MINIMUM OF 3-4 WEEKS LATER, AND A THIRD ROOT PRUNE ON THE LAST SIDE DONE A MINIMUM OF 4.5-6 WEEKS AFTER THAT. THE SECOND AND THIRD ROOT PRUNES MAY ONLY BE DONE WHEN HEALTHY NEW ROOT GROWTH FROM EARLIER ROOT PRUNES IS EVIDENT (SEE SECTION 2.14 ABOVE FOR SPECIFICATIONS ON PHOTOGRAPHICALLY DOCUMENTING NEW ROOT GROWTH DURING THE ROOT PRUNE PROCESS). MORE TIME MAY BE NEEDED DURING THE COOLER MONTHS OF THE YEAR.

- 3.1.4. CERTAIN PALMS, IN PARTICULAR THOSE THAT ARE SLOW GROWING, REQUIRE LONGER ROOT PRUNING TIME. THESE INCLUDE, BUT ARE NOT LIMITED TO, THE FOLLOWING:
 - ALL SPECIES OF *ARCHONTOPHOENIX*
 - ALL SPECIES OF *CORYPHA*
 - AMERICAN OIL PALMS (ALL SPECIES OF *ATTALEA*)
 - BISMARCK PALM (*BISMARCKIA NOBILIS*)
 - CUBAN & CARIBBEAN *COPERNICIA*
 - CUBAN BELLY PALM (*GASTROCOCOS CRISPA*)
 - GINGERBREAD/DOUM PALMS (ALL SPECIES OF *HYPHAENE*)
 - PALMYRA PALMS (ALL SPECIES OF *BORASSUS*)
 - SATAKE PALM (*SATAKENTIA LIUKIUENSIS*)
 - SAW PALMETTO (*SERENOA REPENS*)
 - SILVER PALM (*COCCOTHRINAX ARGENTATA*)
 - ZOMBIE PALM (*ZOMBIA ANTILLARUM*)

FOR THESE PALMS, THE MINIMUM ROOT PRUNING TIME IS 4-6 MONTHS OR GREATER. ONLY WHEN SUFFICIENT NEW ROOT GROWTH HAS TAKEN PLACE FOLLOWING AN EARLIER ROOT PRUNE CAN THE NEXT ROOT PRUNE BE DONE, AND ONLY WHEN SUFFICIENT NEW ROOT GROWTH HAS TAKEN PLACE FOLLOWING THE FINAL ROOT PRUNE MAY THE TREE BE RELOCATED (SEE SECTION 2.14 ABOVE FOR SPECIFICATIONS ON PHOTOGRAPHICALLY DOCUMENTING NEW ROOT GROWTH DURING THE ROOT PRUNE PROCESS).

4. CANOPY PRUNING SPECIFICATIONS

4.1. TREES

- 4.1.1. PRIOR TO RELOCATION, THE CANOPY OF EACH TREE TO BE RELOCATED MUST BE SELECTIVELY PRUNED TO REMOVE CROSSING, DEAD, DISEASED, BROKEN, AND LOW-HANGING BRANCHES THAT MAY INTERFERE WITH CONSTRUCTION ACTIVITIES, OR THAT MAY INTERFERE OR RESTRICT STRAPPING OR LIFTING THE TREE DURING RELOCATION.
- 4.1.2. FOR TREES BEING RELOCATED ONSITE, THE CANOPY MAY BE SELECTIVELY THINNED AND REDUCED BY NO MORE THAN 1/3 OF THE OVERALL CANOPY MASS, AT THE DIRECTION OF THE LANDSCAPE ARCHITECT; HOWEVER, THE BASIC SHAPE, FORM, AND CHARACTER OF THE TREE MUST BE PRESERVED.
- 4.1.3. FOR TREES BEING RELOCATED OFFSITE, THE CANOPY MUST BE PRUNED, AT THE DIRECTION OF THE LANDSCAPE ARCHITECT, TO FIT ON THE TRAILER FOR TRANSPORT. EVERY EFFORT MUST BE MADE TO RETAIN AS MANY LARGE BRANCHES AS POSSIBLE AND TO PRESERVE AS MUCH OF THE SHAPE, FORM, AND CHARACTER OF THE TREE AS POSSIBLE TO THE WIDEST LOAD WIDTH ALLOWABLE BY THE FLORIDA DEPARTMENT OF TRANSPORTATION. CONTRACTOR MUST OBTAIN ALL NECESSARY PERMITS AND ESCORTS TO TRANSPORT WIDE LOADS, PER FLORIDA LAW.
- 4.1.4. ALL CANOPY PRUNING MUST BE CONDUCTED FOLLOWING ANSI A-300 TREE PRUNING STANDARDS AND BEST MANAGEMENT PRACTICES.
- 4.1.5. ALL DEBRIS GENERATED DURING CANOPY PRUNING MUST BE REMOVED OFFSITE AND DISPOSED.

4.2. PALMS

- 4.2.1. IT IS WELL KNOWN THAT SOME PALMS SURVIVE RELOCATION BETTER WHEN ALL OF THE LEAVES ARE REMOVED (E.G., CABBAGE PALM, *SABAL PALMETTO*), AND THAT OTHER PALMS BENEFIT FROM HAVING THEIR LEAVES CUT IN HALF DURING RELOCATION (E.G., COCONUT PALM, *COCOS NUCIFERA*). BOTH OF THESE HORTICULTURAL PRACTICES, WHILE TRUE, ARE ONLY APPLICABLE WHEN PALMS ARE NOT ROOT PRUNED. LEAVES DO NOT NEED TO BE CUT IN HALF OR REMOVED FROM PALMS THAT ARE ADEQUATELY ROOT PRUNED. ON OCCASION WHEN SUFFICIENT ROOT PRUNING TIME IS NOT AVAILABLE, PALMS TO BE RELOCATED MAY HAVE THEIR LEAVES CUT IN HALF OR REMOVED ENTIRELY AT THE DIRECTION OF THE LANDSCAPE ARCHITECT.
- 4.2.2. PALM LEAVES MUST BE TIED UP WITH 2-PLY BIODEGRADABLE TWINE PRIOR TO RELOCATION TO PREVENT MECHANICAL DAMAGE DURING THE RELOCATION PROCESS.
- 4.2.3. PALM TRUNKS SHALL ONLY BE 'CLEANED UP' ACCORDING TO THE LANDSCAPE ARCHITECT'S SPECIFICATIONS SPECIFIC TO EACH PALM.

FINAL SUBMITTAL - 07-07-2023 -DRB23-0943
EXISTING TREE NOTES

PETAR STRACENSKI
 RLA #A6667526
 1908 Tigertail Ave. Miami, FL 33133
 strata-landarch.com | 305.747.9336

JW CONGREGATION
BUILDING
 PROJECT ADDRESS: 300 W 40TH STREET, MIAMI BEACH, FL 33140

REV.	DATE	DESCRIPTION

Petar Stracenski, RLA #A6667526

PROJECT NO:	001_23
PHASE:	CONSTRUCTION
DATE:	06/20/2023
DRAWN:	D.C.
CHECKED:	P.S.

SHEET TITLE:
 EXISTING TREE NOTES

SHEET NO.
L-3

6. MAINTENANCE SPECIFICATIONS

6.1. GENERAL

- 6.1.1. ALL RELOCATED TREES AND PALMS MUST BE MAINTAINED FOR ONE YEAR FROM THE DATE OF RELOCATION TO THEIR FINAL LOCATIONS.
- 6.1.2. CONTRACTOR MUST MAINTAIN ALL RELOCATED TREES AND PALMS FOR ONE FULL YEAR FROM THE DATE OF RELOCATION TO THE FINAL LOCATION.
- 6.1.3. WHENEVER POSSIBLE, EACH TREE AND PALM MUST BE WATERED BY A PERMANENT AUTOMATIC IRRIGATION SYSTEM FOLLOWING RELOCATION. EACH WATERING MUST THOROUGHLY SATURATE THE ROOTBALL TO ITS FULL DEPTH; THIS WILL REQUIRE 25-50 GALLONS OF WATER FOR SMALL TREES AND PALMS, DEPENDING ON ROOTBALL SIZE, WHILE LARGE TREES WILL REQUIRE A MINIMUM OF 10 GALLONS PER FOOT OF ROOTBALL DIAMETER (I.E., A 10' DIAMETER ROOTBALL WILL REQUIRE A MINIMUM OF 100 GALLONS PER WATERING EVENT). WATERING FREQUENCY MUST BE EVERY DAY FOR THE FIRST TWO WEEKS, EVERY OTHER DAY FOR THE NEXT THREE WEEKS, AND EVERY THIRD DAY FOR THE NEXT 6-8 WEEKS.
- 6.1.4. WHEN AN AUTOMATIC IRRIGATION SYSTEM IS NOT POSSIBLE, CONTRACTOR IS RESPONSIBLE FOR HAND WATERING RELOCATED TREES AND PALMS THROUGHOUT THE MAINTENANCE PERIOD AND UNTIL FINAL ACCEPTANCE BY THE LANDSCAPE ARCHITECT AND/OR CLIENT.
- 6.1.5. IMMEDIATELY AFTER RELOCATION TO THE FINAL LOCATION, A HIGH-PHOSPHORUS ROOT STIMULANT MUST BE APPLIED TO THE SURFACE OF THE ROOTBALL AT THE RECOMMENDED LABEL RATE AND WATERED IN WITH A DRENCH CONSISTING OF A SYSTEMIC INSECTICIDE AND A CONTACT ROOT ROT FUNGICIDE, FOLLOWING LABEL INSTRUCTIONS, AS INITIAL PREVENTATIVE MAINTENANCE.
- 6.1.6. EVERY THREE MONTHS THEREAFTER, A HIGH-PHOSPHORUS ROOT STIMULANT MUST BE APPLIED TO THE SURFACE OF THE ROOTBALL AT THE RECOMMENDED LABEL RATE AND WATERED IN WITH A DRENCH CONSISTING OF A SYSTEMIC INSECTICIDE AND A BROAD-SPECTRUM SYSTEMIC FUNGICIDE, FOLLOWING LABEL INSTRUCTIONS, AS CONTINUING PREVENTATIVE MAINTENANCE.
- 6.1.7. IRRIGATION AND BRACING MUST BE CHECKED AND EACH TREE OR PALM THOROUGHLY INSPECTED FOR SIGNS OF STRESS, DISEASE, OR PEST PROBLEMS ON A MONTHLY BASIS.

SHADE TREES

- 6.1.8. IMMEDIATELY AFTER RELOCATION TO THE FINAL LOCATION AND EVERY THREE MONTHS THEREAFTER, A HIGH-QUALITY, SLOW-RELEASE 15-2-15 GRANULAR FERTILIZER MUST BE APPLIED, AT THE RECOMMENDED LABEL RATE, SPREAD EVENLY ACROSS THE SURFACE OF THE ROOTBALL.
- 6.1.9. FOLIAR FEED FOUR TIMES PER YEAR.

6.2. FLOWERING TREES

- 6.2.1. IMMEDIATELY AFTER RELOCATION TO THE FINAL LOCATION AND EVERY THREE MONTHS THEREAFTER, A HIGH-QUALITY, SLOW-RELEASE 5-10-15 GRANULAR FERTILIZER MUST BE APPLIED, AT THE RECOMMENDED LABEL RATE, SPREAD EVENLY ACROSS THE SURFACE OF THE ROOTBALL.
- 6.2.2. FOLIAR FEED FOUR TIMES PER YEAR.

6.3. PALMS

- 6.3.1. STRING MUST BE REMOVED FROM THE TIED UP LEAVES IMMEDIATELY AFTER RELOCATION TO THE FINAL LOCATION IF THE PALM WAS ROOT PRUNED OR WITHIN 30-45 DAYS AFTER RELOCATION ON THE OCCASION THE LANDSCAPE ARCHITECT APPROVED RELOCATION WITHOUT ROOT PRUNING DUE TO TIME CONSTRAINTS.
- 6.3.2. IMMEDIATELY AFTER RELOCATION TO THE FINAL LOCATION AND EVERY THREE MONTHS THEREAFTER, A HIGH-QUALITY, SLOW-RELEASE 8-4-12 GRANULAR PALM FERTILIZER WITH MINORS MUST BE APPLIED, AT THE RECOMMENDED LABEL RATE, SPREAD EVENLY ACROSS THE SURFACE OF THE ROOTBALL.
- 6.3.3. FOLIAR FEED SIX TIMES PER YEAR.

7. WARRANTY

- 7.1. ALL RELOCATED TREES AND PALMS MUST BE GUARANTEED FOR ONE YEAR FROM THE DATE OF RELOCATION TO THEIR FINAL LOCATIONS.
- 7.2. IF A TREE OR PALM DIES WITHIN THE 1-YEAR WARRANTY PERIOD, IT MUST BE REMOVED AND REPLACED AT CONTRACTOR'S EXPENSE.
- 7.3. IF A TREE OR PALM PERFORMS POORLY WITHIN THE 1-YEAR WARRANTY PERIOD, IT MUST BE REMOVED AND REPLACED AT THE CONTRACTOR'S EXPENSE. THE DECISION TO REPLACE BASED ON POOR HEALTH IS AT THE DISCRETION OF THE LANDSCAPE ARCHITECT.
- 7.4. IF A TREE OR PALM SETTLES TO AN UNHEALTHY DEPTH WITHIN THE 1-YEAR WARRANTY PERIOD, AS DEEMED BY THE LANDSCAPE ARCHITECT, IT MUST BE RAISED TO THE CORRECT GRADE AT CONTRACTOR'S EXPENSE.

5. RELOCATION SPECIFICATIONS

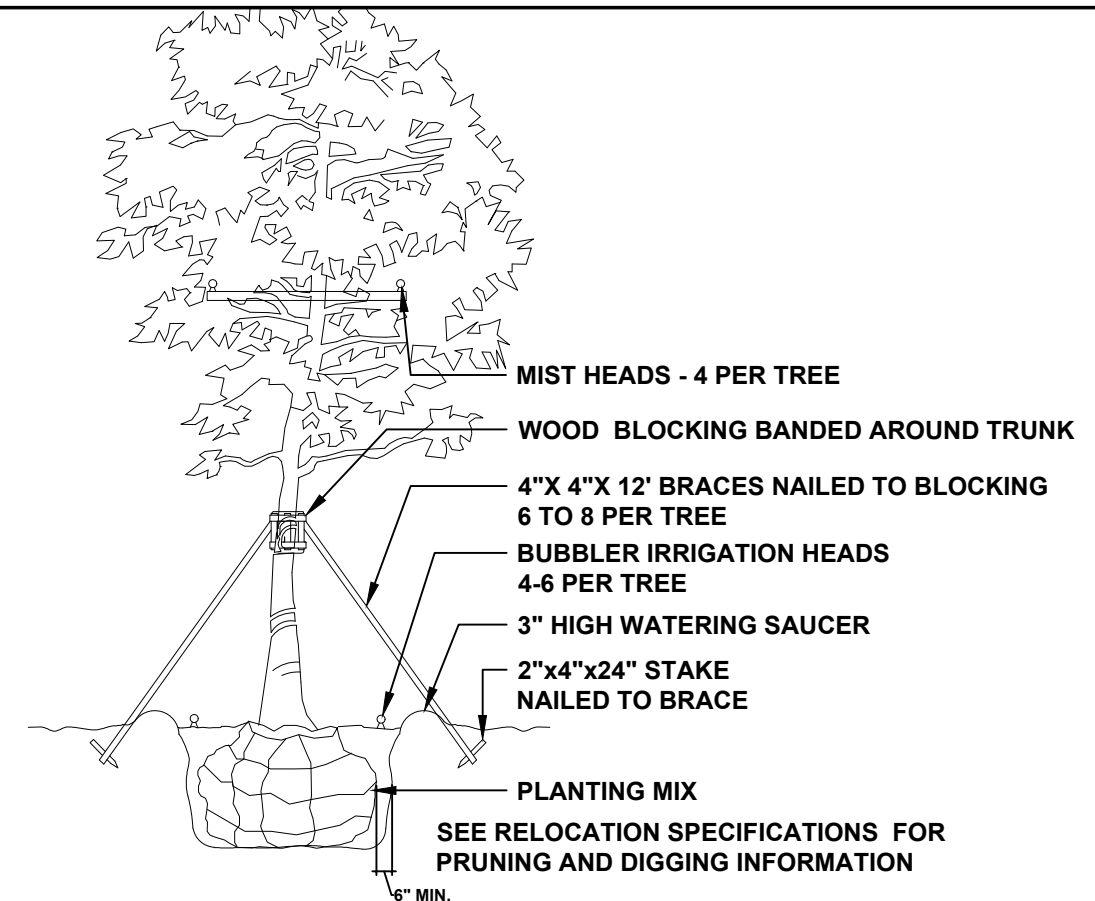
5.1. GENERAL

- 5.1.1. LANDSCAPE CONTRACTOR TO FLAG ALL PROPOSED PLANT LOCATIONS FOR LANDSCAPE ARCHITECT'S APPROVAL PRIOR TO INSTALLATION. NOTIFY LANDSCAPE ARCHITECT A MINIMUM OF 15 DAYS PRIOR TO REVIEW.
- 5.1.2. ALL TREES AND PALMS TO BE RELOCATED MUST BE WATERED DAILY FOR AT LEAST 5 DAYS PRIOR TO ANY RELOCATION TO ENSURE THAT THEY ARE FULLY HYDRATED. EACH WATERING MUST THOROUGHLY SATURATE THE ROOTBALL TO ITS FULL DEPTH.
- 5.1.3. ALL ROOTBALLS MUST BE WRAPPED IN BURLAP AND THEN TIGHTLY WIRE-WRAPPED (USING REDLINE HORSE WIRE OR EQUIVALENT) TO KEEP THE ENTIRE ROOTBALL INTACT DURING RELOCATION. TREES AND PALMS GROWING IN LIMESTONE MUST BE DUG AND RELOCATED WITH THE ROOTS ATTACHED TO A SECTION OF ROCK AS PART OF THE ROOTBALL, SUCH THAT THE ROOTS REMAIN INTACT. ROOTBALLS COMING FROM SAND OR SANDY SOIL MAY ALSO NEED TO BE BOXED PRIOR TO RELOCATION, AT THE DISCRETION OF THE LANDSCAPE ARCHITECT.
- 5.1.4. TREES AND PALMS BEING RELOCATED OFFSITE MUST HAVE THEIR ENTIRE ROOTBALLS THOROUGHLY AND TIGHTLY WRAPPED WITH PLASTIC SHRINK WRAP ON THE OUTSIDE OF THE WIRE WRAP, AND THE ENTIRE TREE OR PALM (INCLUDING CANOPY, TRUNK, AND ROOTBALL) MUST BE COVERED WITH A BREATHABLE TARP (E.G., SHADE CLOTH) DURING TRANSPORT.
- 5.1.5. NEW PLANTING PITS FOR RELOCATED TREES AND PALMS MUST BE PREPARED PRIOR TO LIFTING THE PALM OR TREE FROM ITS CURRENT LOCATION AND MUST BE AT LEAST 3-4 FEET WIDER THAN THE ROOTBALL AND THE SAME DEPTH AS THE ROOTBALL, SUCH THAT THE FINAL ELEVATION OF THE TOP OF THE ROOTBALL IS AT OR SLIGHTLY ABOVE (NO MORE THAN 2" HIGHER) FINAL GRADE.
- 5.1.6. TREES AND PALMS TO BE RELOCATED MUST BE LIFTED BY THE ROOTBALL ONLY, USING APPROPRIATELY SIZED (LENGTH AND STRENGTH) LIFTING STRAPS OR CHAINS. DURING LIFTING, THE TREE OR PALM MUST BE BALANCED IN A MORE-OR-LESS UPRIGHT POSITION, WITH THE STRAP ON THE TRUNK USED ONLY FOR BALANCING AND MANEUVERING THE TREE OR PALM INTO POSITION. NO CHAINS MAY BE USED AROUND OR AGAINST THE TRUNK AT ANY TIME. AT NO TIME SHALL 100% OF THE WEIGHT OF THE TREE OR PALM BE ON THE STRAP ATTACHED TO THE TRUNK. TRUNKS MUST BE HEAVILY PADDED WITH 30-60 LAYERS (DEPENDING ON SIZE AND WEIGHT) OF BURLAP BENEATH THE BALANCING STRAP.
- 5.1.7. TREES AND PALMS MUST BE LIFTED WITH A CRANE OR BACKHOE APPROPRIATELY SIZED FOR THE SIZE AND WEIGHT OF THE TREE OR PALM AND LIFTED OR CARRIED DIRECTLY TO THE FINAL INSTALL LOCATION OR TRANSPORT TRAILER.
- 5.1.8. ONCE LIFTING BEGINS, ANY UNCUT ROOTS UNDER OR AROUND THE ROOTBALL THAT MAY YET REMAIN MUST BE IMMEDIATELY SEVERED WITH HAND PRUNING TOOLS TO MINIMIZE TEARING AND ROOT DAMAGE.
- 5.1.9. AGRIFORM PLANTING TABLETS (OR APPROVED EQUIVALENT) MUST BE EVENLY DISTRIBUTED AROUND THE PERIMETER OF THE PLANTING PIT AT THE RATE OF 2 TABLETS PER 1" TRUNK CALIPER PRIOR TO BACKFILLING.
- 5.1.10. MYCORRHIZA (ROOTS® TRANSPLANT OR EQUIVALENT) MUST BE INCORPORATED INTO THE BACKFILL SOIL PRIOR TO BACKFILLING.
- 5.1.11. RELOCATED TREES AND PALMS MUST BE CENTERED IN THE PLANTING PIT, AND THE PIT BACKFILLED USING A 1:1 MIXTURE OF EXISTING SOIL AND 80:20 (DOT SAND:MUCK) SOIL MIX THOROUGHLY BLENDED TOGETHER. DO NOT USE MUDDY SOIL AS BACKFILL. (SEE 5.2.2 BELOW FOR SPECIAL CONDITIONS REGARDING DATE PALM BACKFILL SPECIFICATIONS.)
- 5.1.12. SMALL TREES AND PALMS MUST BE FIRMLY BRACED USING A MINIMUM OF FOUR 4" X 4" WOODEN BRACES ATTACHED TO 2" X 4" WOODEN BATTENS HELD IN PLACE WITH TWO STEEL BANDS. LARGER TREES MAY REQUIRE 6" X 6" WOODEN POSTS OR EVEN TELEPHONE POLES TO PROVIDE SUFFICIENT BRACING STRENGTH TO PREVENT TOPPLING DURING WIND EVENTS. A SUFFICIENT NUMBER OF BATTENS MUST BE STRATEGICALLY PLACED AROUND THE TRUNK SUCH THAT THE STEEL BANDS NEVER CONTACT THE TRUNK. NO BURLAP IS TO REMAIN UNDER THE WOODEN BATTENS ON TREES DURING BRACING, BUT SEVERAL LAYERS OF BURLAP SHOULD BE LEFT UNDER THE WOODEN BATTENS WHEN BRACING PALMS. NAILS SHALL NEVER BE DRIVEN DIRECTLY INTO THE TRUNK DURING BRACING. BRACING MUST REMAIN IN PLACE FOR A MINIMUM OF ONE YEAR.
- 5.1.13. A TREE RING WITH A MINIMUM HEIGHT OF 6" MUST BE CONSTRUCTED 6-12" OUTSIDE THE OUTERMOST EDGE OF THE ROOTBALL AND AROUND THE ENTIRE PERIMETER OF THE ROOTBALL TO DIRECT IRRIGATION WATER AND ANY SUPPLEMENTS THAT ARE ADDED DOWN INTO THE ROOTBALL DURING ROOT REGENERATION.
- 5.1.14. ONCE THE TREE RING IS CONSTRUCTED, A HIGH-PHOSPHORUS ROOT STIMULANT MUST BE LIBERALLY APPLIED TO THE SURFACE OF THE ROOTBALL AND THOROUGHLY WATERED IN.
- 5.1.15. ROOTBALLS MUST BE THOROUGHLY WATERED IN USING A HOSE AND A JOHNSON BAR INSERTED TO THE VERY BOTTOM OF THE ROOTBALL AND SWUNG BACK AND FORTH TO PREVENT FORMATION OF AIR POCKETS. THE JOHNSON BAR TECHNIQUE MUST BE REPEATED AT LEAST ONCE MORE WITHIN ONE WEEK AFTER RELOCATION, AND AGAIN IF ANY SIGNS OF STRESS BECOME APPARENT.
- 5.1.16. ORGANIC MULCH (MELALEUCA IS PREFERRED) MUST BE APPLIED WITHIN 48 HOURS OF RELOCATION AT A DEPTH OF 3-4" OVER THE ENTIRE TOP OF THE ROOTBALL FROM THE TREE RING TO WITHIN 6" OF THE TRUNK. MULCH MUST NOT BE APPLIED OR ALLOWED TO ACCUMULATE DIRECTLY AGAINST THE TRUNK.
- 5.1.17. PITS FROM WHICH THE RELOCATED TREES AND PALMS WERE REMOVED MUST BE CLEANED OF ALL RESIDUAL ROOTS, STUMPS, AND PORTIONS THEREOF AND BACKFILLED WITH CLEAN FILL FLUSH WITH THE SURROUNDING GRADE.
- 5.1.18. RESTORE THE SURFACE WITH MATERIAL TO MATCH ADJACENT AREAS. MATERIAL TO BE APPROVED BY LANDSCAPE ARCHITECT. CONTRACTOR TO PROVIDE A MINIMUM OF ONE YEAR WARRANTY ON SETTLING AND PLANT MATERIAL FROM TIME OF SUBSTANTIAL COMPLETION.

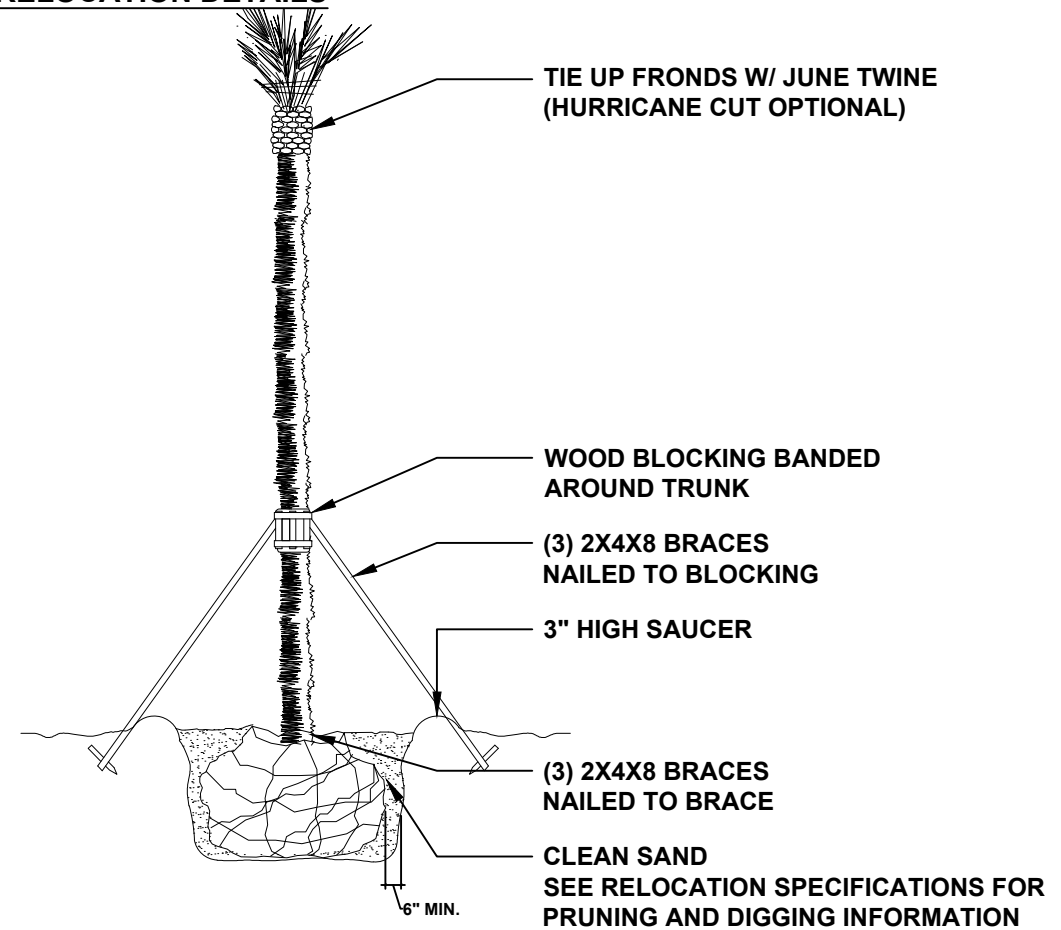
5.2. SPECIAL CONDITIONS

- 5.2.1. MULTI-TRUNK TREES AND PALMS MUST BE RELOCATED AS ONE UNIT WITH A SINGLE ROOTBALL.
- 5.2.2. PLANTING PITS FOR EDIBLE DATE PALMS (*PHOENIX DACTYLIFERA*) MUST BE BACKFILLED WITH PURE DOT SILICA SAND.

TREE RELOCATION DETAILS



PALM RELOCATION DETAILS



FINAL SUBMITTAL - 07-07-2023 -DRB23-0943

EXISTING TREE NOTES & DETAILS

PETAR STRACENSKI
 RLA #LA6667526
 1906 TigerTail Ave. Miami, FL 33133
 strata-landarch.com | 305.747.9336

JW CONGREGATION BUILDING
 PROJECT TITLE: JW CONGREGATION BUILDING
 PROJECT ADDRESS: 300 W 40TH STREET, MIAMI BEACH, FL 33140

REV.	DATE	DESCRIPTION

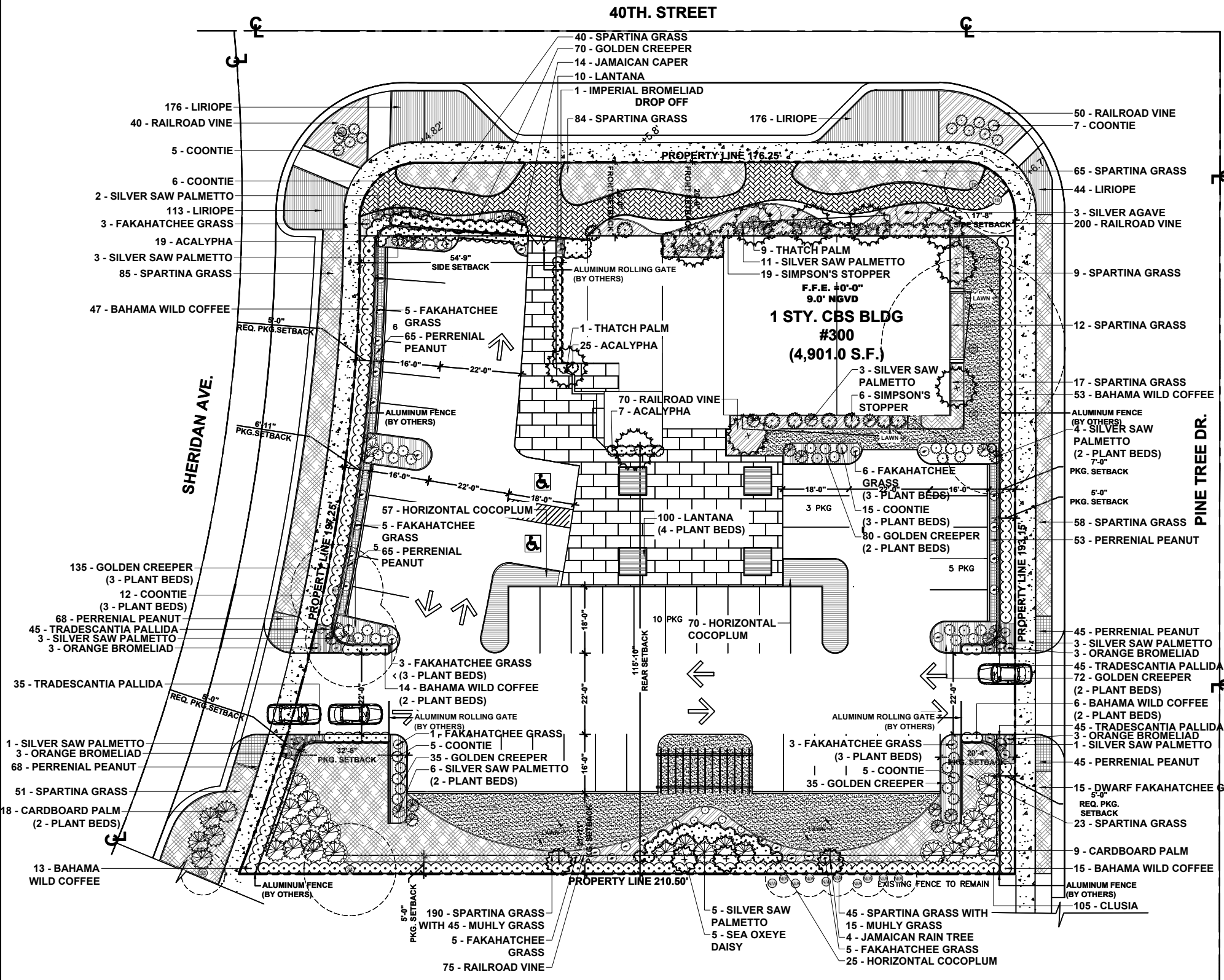
Petar Stracenski, RLA #LA6667526

PROJECT NO:	001_23
PHASE:	CONSTRUCTION
DATE:	06/20/2023
DRAWN:	D.C.
CHECKED:	P.S.
SHEET TITLE:	EXISTING TREE NOTES
SHEET NO.	L-4

07/07/2023 - JWORG

UNDERSTORY PLANT LIST

ACCENT TREES AND PALMS			
4	<i>Brya ebenus</i>	Jamaican Rain Tree	25 Gal., 8'-10' Height, Standard, Landscape Architect to Approve To Set In Field
10	<i>Thrinax radiata</i>	Thatch Palm	4 @ 8' Overall Height, 4 @ 12' Overall Height, 3 @ 10' Overall Height
SHRUBS AND GROUND COVERS			
51	<i>Acalypha wilkesiana 'Java White'</i>	Acalypha	15 Gal., 4'-5' Overall Height, Full to Base
12	<i>Aechmea blanchetiana</i>	Orange Bromeliad	3 Gal., Bullis Bromeliads
3	<i>Agave sp.</i>	Silver Agave	15 Gal., 36" HT x 36" SP
5	<i>Alcantarea imperialis</i>	Green Imperial Bromeliad	7 Gal., 24" HT x 24" SP, 4 To Be Set In Field
409	<i>Arachis glabrata</i>	Perennial Peanut	1 Gal., 6" HT x 12" SP
14	<i>Capparis cynophallophora</i>	Jamaican Caper	15 Gal., 4'-5' Overall Height, Full to Base
152	<i>Chrysobalanus icaco 'Horizontal'</i>	Horizontal Cocoplum	7 Gal., 24" HT x 24" SP
105	<i>Clusia guttifer</i>	Clusia	96" HT x 36" SP
427	<i>Erondea littoralis</i>	Golden Creeper	1 Gal., 12" HT x 12" SP
435	<i>Ipomoea pes-caprae</i>	Railroad Vine	1 Gal., 12" HT x 12" SP
110	<i>Lantana depressa</i>	Florida Lantana	1 Gal., 12" HT x 12" SP
509	<i>Liriope muscari</i>	Liriope	1 Gal., 12" HT x 12" SP
25	<i>Myrcianthes fragrans</i>	Simpson's Stopper	5' HT x 3' SP, 15 Gallon
60	<i>Muhlenbergia capillaris</i>	Muhly Grass	3 Gal.
148	<i>Psychotria ligustrifolia</i>	Bahama Wild Coffee	7 Gal., 36" HT x 36" SP
42	<i>Serenoa repens 'cinerea'</i>	Silver Saw Palmetto	25 Gal., 4' Overall Height
682	<i>Spartina bakeri</i>	Spartina Grass	3 Gal., 36" HT x 24" SP
170	<i>Tradescantia pallida</i>	Purple Creeper	1 Gal.
51	<i>Tripsacum floridana</i>	Dwarf Fakahatchee Grass	3 Gal., 36" HT x 24" SP
27	<i>Zamia furfuracea</i>	Cardboard Palm	15 Gal., 36" HT x 36" SP
55	<i>Zamia pumila</i>	Coontie	7 Gal., 18" HT x 18" SP



PETAR STRACENSKI
 RLA #A6667526
 1906 Tigerhall Ave. Miami, FL 33133
 strata-landarch.com | 305.747.9336

JW CONGREGATION BUILDING
 PROJECT ADDRESS: 300 W 40TH STREET, MIAMI BEACH, FL 33140

REV.	DATE	DESCRIPTION

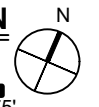
PROJECT NO: 001_23
 PHASE: CONSTRUCTION
 DATE: 06/20/2023
 DRAWN: D.C.
 CHECKED: P.S.

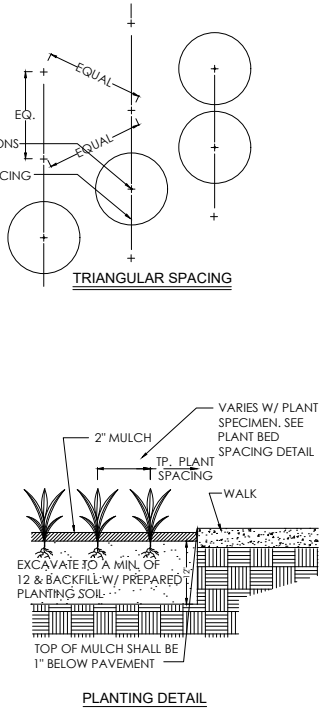
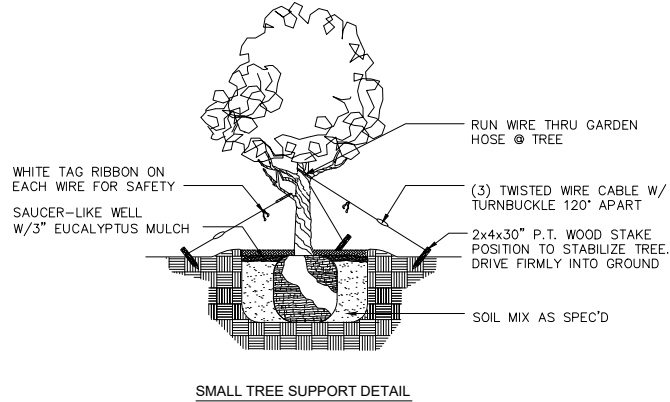
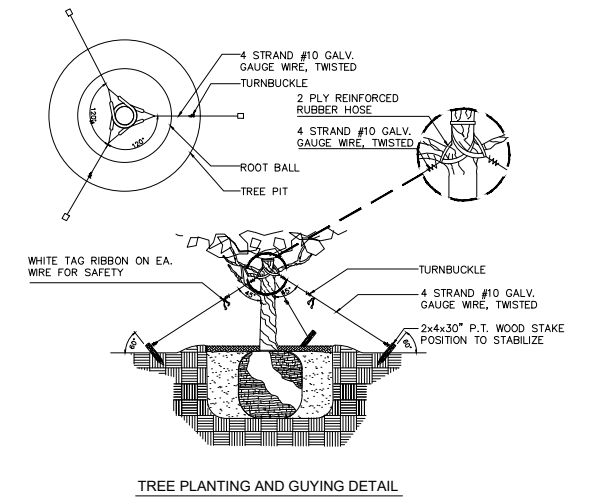
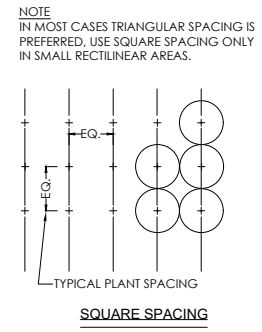
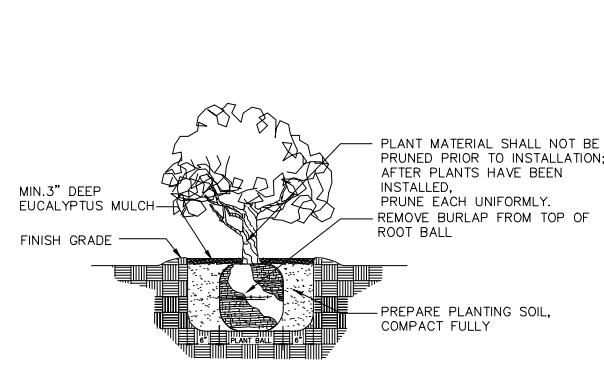
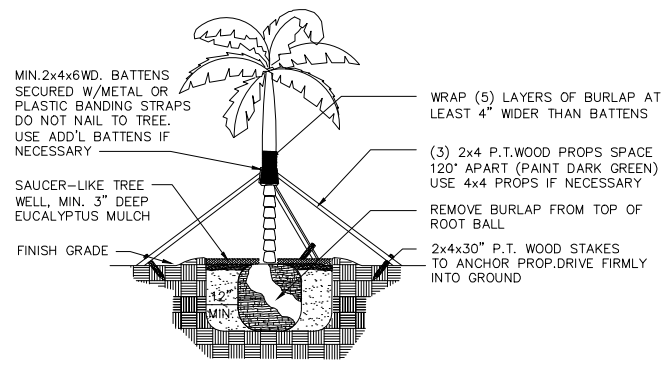
SHEET TITLE: UNDERSTORY PLANTING PLAN
 SHEET NO: LP-2

FINAL SUBMITTAL - 07-07-2023 -DRB23-0943

UNDERSTORY PLANTING PLAN

SCALE: 1/32" = 1'-0"





GENERAL LANDSCAPE NOTES:

1. ALL PLANT MATERIAL IS TO BE FLORIDA NO. 1 OR BETTER. FLORIDA DEPARTMENT OF AGRICULTURE GRADES AND STANDARDS, PARTS I & II 1973, 1975 RESPECTIVELY.
2. ALL PLANTING BEDS TO BE TOPPED WITH 2" MIN. "GRADE A" CYPRESS OR EUCALYPTUS MULCH, UNLESS OTHERWISE NOTED.
3. ALL TREES TO BE STAKED IN A GOOD WORKMANLIKE MANNER. NO NAIL STAKING PERMITTED. (REFER TO PLANTING DETAILS.)
4. LANDSCAPE PLAN SHALL BE INSTALLED IN COMPLIANCE WITH ALL LOCAL CODES.
5. ALL TREE HOLDS TO BE BACK FILLED AROUND AND UNDER ROOT BALL WITH PLANTING SOIL. ALL SHRUB BEDS TO BE INSTALLED WITH PLANTING SOIL. (SEE SPECS)
6. SOD SHALL BE "FLORATAM" ST. AUGUSTINE (UNLESS OTHERWISE NOTED) SOLID SOD LAID WITH ALTERNATIVE AND ABUTTING JOINTS, WITH 2" TOP SOIL MINIMUM IF REQUIRED. (SEE SPECS)
7. ALL TREES, SHRUBS AND GROUND COVERS SHALL BE GUARANTEED FOR TWELVE MONTHS FROM DATE OF FINAL ACCEPTANCE. ALL PALMS ARE TO BE GUARANTEED FOR ONE YEAR.
8. ALL PLANTING BEDS SHALL BE WEED AND GRASS FREE.
9. ALL TREES, PALMS, SHRUBS AND GROUND COVER PLANTS SHALL BE FERTILIZED AT INSTALLATION WITH LONG LASTING FERTILIZER, ACCORDING TO MANUFACTURERS RECOMMENDATIONS. (SUBMIT SAMPLE FOR APPROVAL.) (SEE SPEC)
10. PLANTING PLAN SHALL TAKE PRECEDENCE OVER PLANT LIST IN CASE OF DISCREPANCIES. (NOTIFY LANDSCAPE ARCHITECT FOR DIRECTION.)
11. LANDSCAPE CONTRACTOR SHALL LOCATE AND VERIFY ALL UNDERGROUND UTILITIES PRIOR TO DIGGING.
12. NO CHANGE SHALL BE MADE WITHOUT THE PRIOR CONSENT OF THE LANDSCAPE ARCHITECT.
13. ALL MATERIAL IS SUBJECT TO AVAILABILITY AT TIME OF INSTALLATION. SUBSTITUTIONS MAY BE MADE AFTER CONSULTATION WITH LANDSCAPE ARCHITECT.
14. ALL NEWLY PLANTED AREAS TO RECEIVE 100% COVERAGE BY AUTOMATIC IRRIGATION SYSTEM. (REFER TO IRRIGATION PLAN.)
15. ALL PLANTING BEDS TO RECEIVE NEW PLANTING SOIL (1/3 EVERGLADES PEAT, 1/3 SAND, 1/3 CYPRESS SAWDUST & CHOPS) MINIMUM 6" DEEP. (REFER TO PLANTING DETAILS.)
16. CONTRACTOR WILL VISIT SITE TO FAMILIARIZED HIMSELF WITH THE SCOPE OF WORK PRIOR TO SUBMITTING A BID.
17. LANDSCAPE CONTRACTOR TO COORDINATE HIS WORK WITH THE GENERAL CONTRACTOR, THE IRRIGATION CONTRACTOR, AND THE ELECTRICAL CONTRACTOR.

18. ALL EXISTING PLANT MATERIAL TO REMAIN SHALL BE PROTECTED. (REFER TO DEMOLITION PLAN.)
19. ALL TREES TO BE RELOCATED WILL GET ROOT PRUNED 30 DAYS MIN. (OR MORE IF REQUIRED BY THE SPECIES). UPON RELOCATION, THIN OUT (UNDER LANDSCAPE ARCHITECT'S DIRECTION) 30% OF THE TREE CANOPY TO BE RELOCATED.
20. AFTER REMOVAL OR RELOCATION OF EXISTING TREES AND PALMS, BACKFILL TREE PIT WITH PLANTING SOIL AND SOD DISTURBED AREA, AS REQUIRED.
21. ALL TREES ON SOD AREAS SHALL RECEIVE A MULCH RING 2' IN DIAMETER TYPICAL.
22. ALL TREES SHALL HAVE A 2" CALIPER AT D.B.H. MINIMUM FOR A 10' HEIGHT TREE.
23. ALL 1 GALLON MATERIAL TO HAVE A 12" SPREAD MINIMUM, ALL 3 GALLON MATERIAL TO HAVE A 20-24" SPREAD MINIMUM.

TREE BRACING NOTES:

- 2" AND LARGER CALIPER TREES BRACED BY GUYING -**
1. CHOOSE THE CORRECT SIZE AND NUMBER OF STAKES AND SIZE OF HOSE AND WIRE. GUYING SHALL BE COMPLETED WITHIN 48 HOURS OF PLANTING THE TREE.
 2. CUT LENGTHS OF STAKING HOSE TO EXTEND 2 INCHES PAST TREE TRUNK WHEN WRAPPING AROUND.
 3. SPACE STAKES EVENLY ON OUTSIDE OF WATER RING AND DRIVE EACH FIRMLY INTO THE GROUND. STAKES SHOULD BE DRIVING AT A 30 DEGREE ANGLE WITH THE POINT OF THE STAKE TOWARD THE TREE UNTIL 4 TO 5 INCHES ARE LEFT SHOWING.
 4. PLACE THE HOSE AROUND THE TREE TRUCK JUST ABOVE THE LOWEST BRANCH.
 5. THREAD THE WIRE THROUGH THE HOSE AND PAST THE STAKE, ALLOWING APPROXIMATELY 2 FEET OF EACH OF THE TWO ENDS BEYOND THE STAKE BEFORE CUTTING THE WIRE.
 6. TWIST WIRE AT RUBBER HOSE TO KEEP IT IN PLACE.
 7. PULL WIRE DOWN AND WIND BOTH ENDS AROUND STAKE TWICE. TWIST WIRE BACK ONTO ITSELF TO SECURE IT BEFORE CUTTING OFF THE EXCESS.
 8. THE ABOVE PROCEDURES ARE TO BE FOLLOWED FOR EACH STAKE, KEEPING THE TREE STRAIGHT AT ALL TIMES. THERE SHOULD BE A 1 TO 3 INCH SWAY IN THE TREE (THE WIRES SHOULD NOT BE PULLED TIGHT) FOR BEST ESTABLISHMENT.
 9. FLAG THE GUY WIRES WITH SURVEYOR'S FLAGGING OR APPROVED EQUAL FOR SAFETY.
 10. GUYS ARE NOT TO BE REMOVED UNTIL APPROVED BY LANDSCAPE CONTRACTOR.

07/07/2023 - JWORG

MASTER PLANT LIST

Qty.	Botanical Name	Common Name	Specifications
TREES AND PALMS			
1	<i>Bismarckia nobilis</i> 'Silver Select'	Bismark Palm	12' GW, Minimum
8	<i>Caesalpinia granadillo</i>	Bridalveil Tree	16'-22' HT., Landscape Architect to Approve
6	<i>Cassia fistula</i>	Golden Shower	16' HT. x 8' SP., 4" DBH, Landscape Architect to Approve
9	<i>Coccoloba uvifera</i>	Sculptural Seagrape Tree	20' HT. x 8' SP., Multi-Stem, Landscape Architect to Approve
12	<i>Conocarpus erectus</i> 'Sericeus'	Silver Buttonwood	12'-14' HT., 2" DBH
2	<i>Delonix regia</i>	Royal Poinciana	16' HT. x 8' SP., 4" DBH, Landscape Architect to Approve
6	<i>Lagerstroemia speciosa</i>	Queen Crepe Myrtle	16' HT. x 8' SP., 4" DBH, Landscape Architect to Approve
1	<i>Lysiloma latisiliquum</i>	Native Tamarind	16' HT. x 8' SP., 4" DBH, Landscape Architect to Approve
2	<i>Myrcianthes fragrans</i>	Simpson's Stopper	12'-14' HT., 100 Gallon, Multi-Stem Landscape Architect to Approve
6	<i>Quercus virginiana</i>	Live Oak	16' HT. x 8' SP., 4" DBH, Landscape Architect to Approve
4	<i>Roystonea regia</i>	Royal Palm	16' GW., Field Grown
4	<i>Swietenia mahagoni</i>	Mahogany Tree	16' HT. x 8' SP., 4" DBH, Landscape Architect to Approve

ACCENT TREES AND PALMS

4	<i>Brya ebenus</i>	Jamaican Rain Tree	25 Gal., 8'-10' Height, Standard, Landscape Architect to Approve To Set In Field
10	<i>Thrinax radiata</i>	Thatch Palm	4 @ 8' Overall Height, 4 @ 12' Overall Height, 3 @ 10' Overall Height

SHRUBS AND GROUND COVERS

51	<i>Acalypha wilkesiana</i> 'Java White'	Acalypha	15 Gal., 4'-5' Overall Height, Full to Base
12	<i>Aechmea blanchetiana</i>	Orange Bromeliad	3 Gal., Bullis Bromeliads
3	<i>Agave sp.</i>	Silver Agave	15 Gal., 36" HT x 36" SP
5	<i>Alcantarea imperialis</i>	Green Imperial Bromeliad	7 Gal., 24" HT x 24" SP
409	<i>Arachis glabrata</i>	Perrenial Peanut	1 Gal., 6" HT x 12" SP
14	<i>Capparis cynophallophora</i>	Jamaican Caper	15 Gal., 4'-5' Overall Height, Full to Base
127	<i>Chrysobalanus icaco</i> 'Horizontal'	Horizontal Cocoplum	7 Gal., 24" HT x 24" SP
105	<i>Clusia guttifera</i>	Clusia	96" HT x 36" SP
427	<i>Erondea littoralis</i>	Golden Creeper	1 Gal., 12" HT x 12" SP
435	<i>Ipomoea pes-caprae</i>	Railroad Vine	1 Gal., 12" HT x 12" SP
110	<i>Lantana depressa</i>	Florida Lantana	1 Gal., 12" HT x 12" SP
509	<i>Liriope muscari</i>	Liriope	1 Gal., 12" HT x 12" SP
25	<i>Myrcianthes fragrans</i>	Simpson's Stopper	5' HT x 3' SP, 15 Gallon
60	<i>Muhlenbergia capillaris</i>	Muhly Grass	3 Gal.
148	<i>Psychotria ligustrifolia</i>	Bahama Wild Coffee	7 Gal., 36" HT x 36" SP
42	<i>Serenoa repens</i> 'cinerea'	Silver Saw Palmetto	25 Gal., 4' Overall Height
682	<i>Spartina bakeri</i>	Spartina Grass	3 Gal., 36" HT x 24" SP
170	<i>Tradescantia pallida</i>	Purple Creeper	1 Gal.
51	<i>Tripsacum floridana</i>	Dwarf Fakahatchee Grass	3 Gal., 36" HT x 24" SP
27	<i>Zamia furfuracea</i>	Cardboard Palm	15 Gal., 36" HT x 36" SP
55	<i>Zamia pumila</i>	Coontie	7 Gal., 18" HT x 18" SP

Misc.

	Zoysia Empire Lawn	Set on Atlas Peat and Soil 90/10 Turf Mix - 2" Depth
	Atlas Peat and Soil 90/10 Turf Mix	2" Depth (Turf Soil)
	Pinestraw Mulch	3" Depth
	Grey Granite Gravel 3/8" Walkway	3" Depth
	4" Aluminum Edging	To Contain Grey Granite
	Filter Fabric	Placed Under Grey Granite

FINAL SUBMITTAL - 07-07-2023 -DRB23-0943
PLANTING NOTES & DETAILS

PETAR STRACENSKI
RLA #A6667526
1906 TigerTail Ave. Miami, FL 33133
strata-landarch.com | 305.747.9336

JW CONGREGATION BUILDING
PROJECT ADDRESS: 300 W 40TH STREET, MIAMI BEACH, FL 33140

REV.	DATE	DESCRIPTION

Petar Stracenski, RLA #A6667526

PROJECT NO: 001_23
PHASE: CONSTRUCTION
DATE: 06/20/2023
DRAWN: D.C.
CHECKED: P.S.

SHEET TITLE: PLANTING NOTES & DETAILS
SHEET NO: LP-3