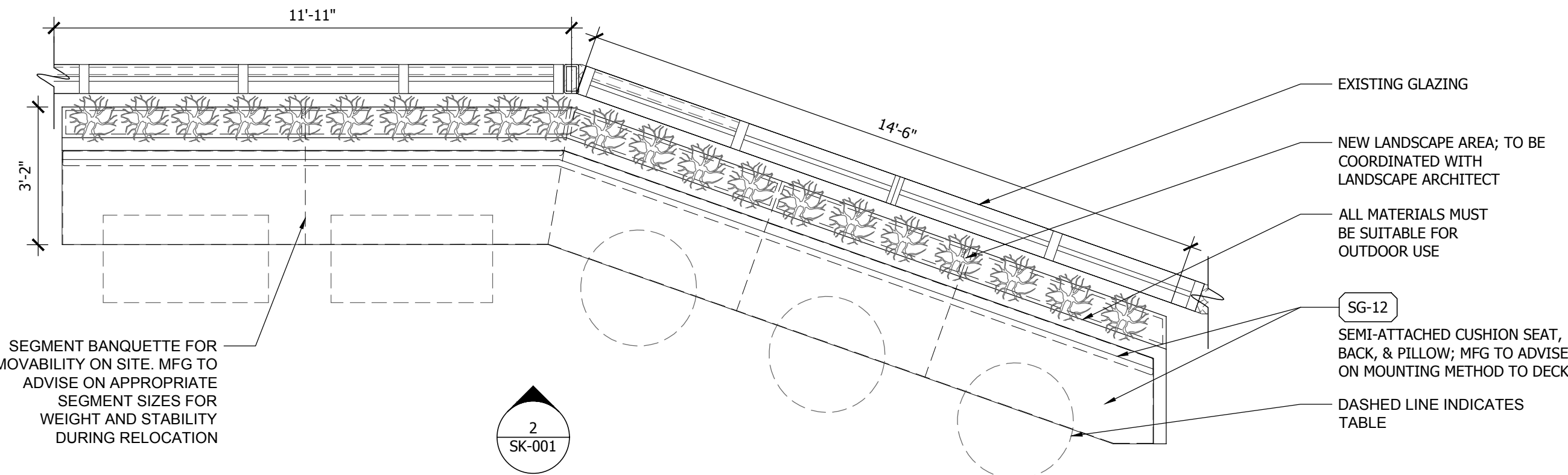


2 EXTERIOR BANQUETTE ELEVATION
SCALE: 3/8" = 1'-0"



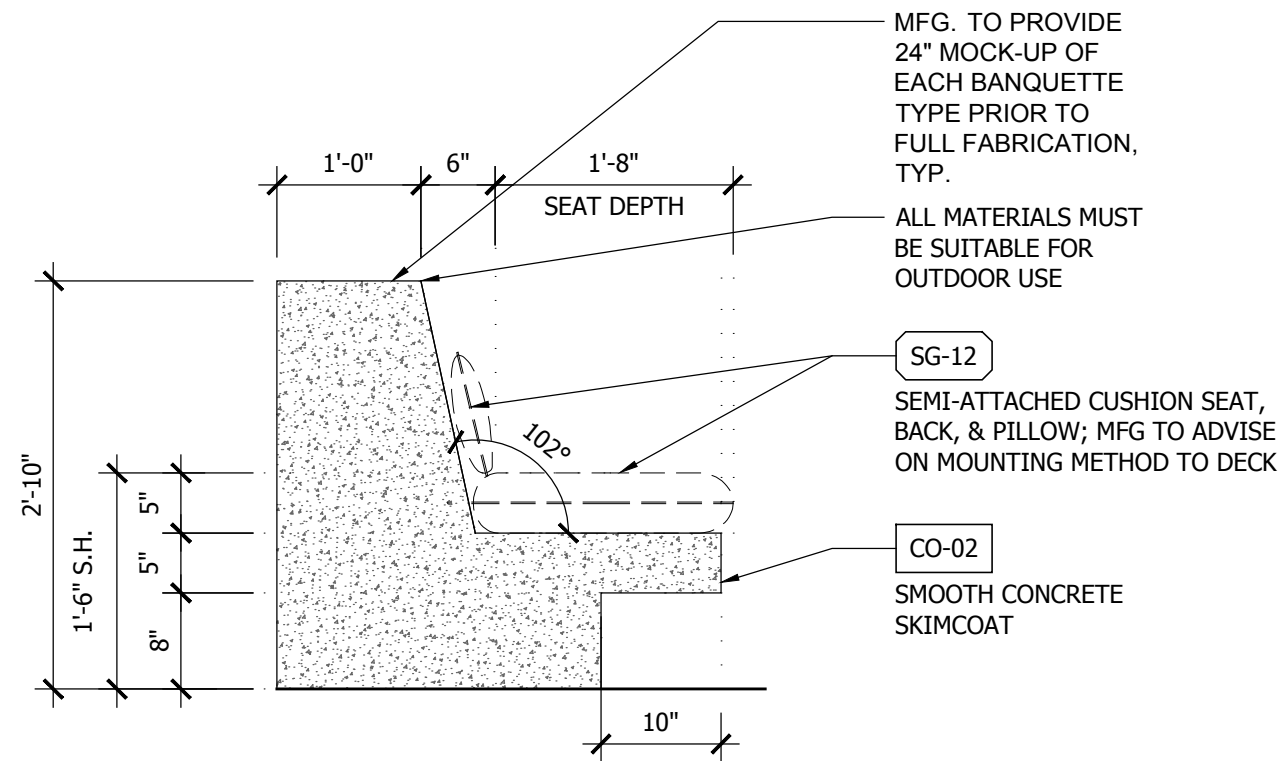
1 EXTERIOR BANQUETTE PLAN
SCALE: 3/8" = 1'-0"

PROJECT NAME:	UCHIKO
PROJECT LOCATION:	MIAMI, FL

ISLYN STUDIO

67 35TH ST, #B-513, BROOKLYN, NY 11232
ISLYNSTUDIO.COM | +1 408 813 3756

DWG TITLE:	EXTERIOR BANQUETTE
DWG NO.:	SK-001 (1/3)
DATE:	10/10/2023



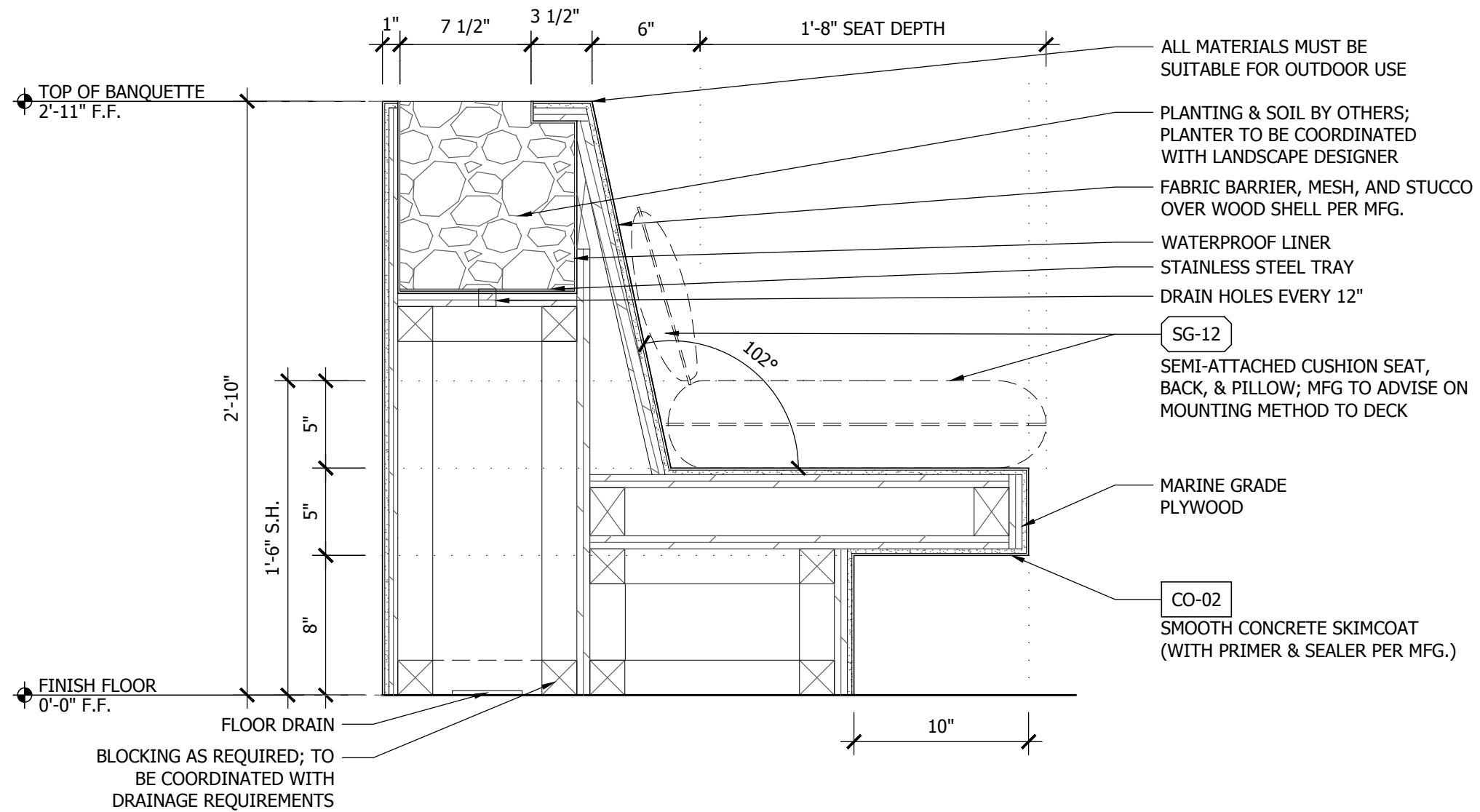
3 EXTERIOR BANQUETTE SIDE ELEVATION
SCALE: 3/4" = 1'-0"

PROJECT NAME:	UCHIKO
PROJECT LOCATION:	MIAMI, FL

ISLYN STUDIO

67 35TH ST, #B-513, BROOKLYN, NY 11232
ISLYNSTUDIO.COM | +1 408 813 3756

DWG TITLE:	EXTERIOR BANQUETTE
DWG NO.:	SK-001 (2/3)
DATE:	10/10/2023



4 EXTERIOR BANQUETTE SECTION
SCALE: 1-1/2" = 1'-0"

PROJECT NAME:	UCHIKO
PROJECT LOCATION:	MIAMI, FL

ISLYN STUDIO

67 35TH ST, #B-513, BROOKLYN, NY 11232
ISLYNSTUDIO.COM | +1 408 813 3756

DWG TITLE:	EXTERIOR BANQUETTE
DWG NO.:	SK-001 (3/3)
DATE:	10/10/2023