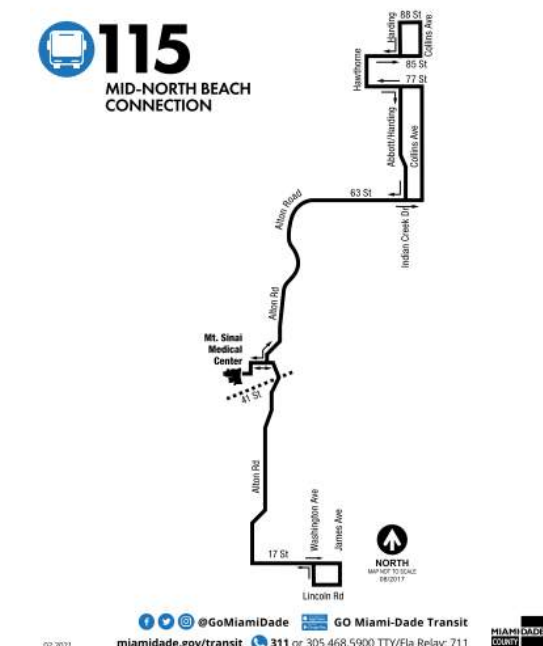
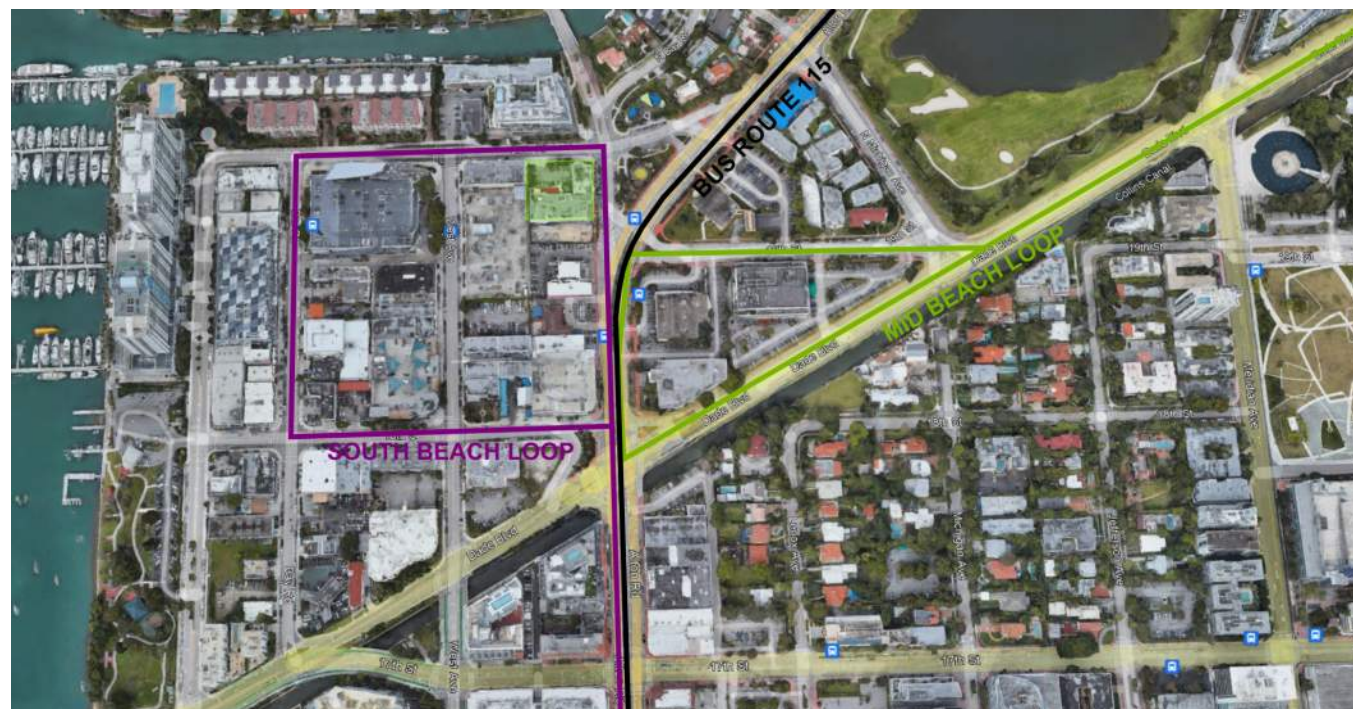


1 MANUEVERABILITY - LOADING
SCALE: 1" = 30'-0"



1 MANUEVERABILITY - PARKING
SCALE: 1" = 30'-0"

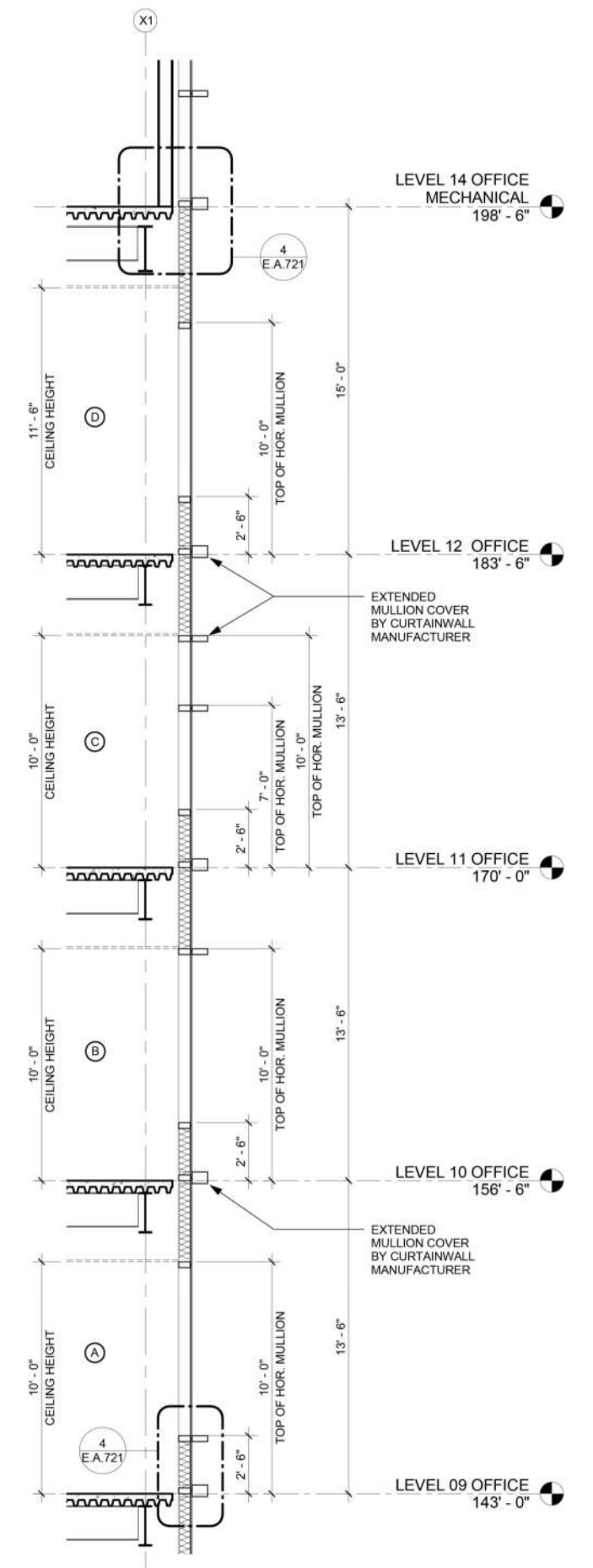


TRANSIT CORRIDOR LOCATION MAP
SCALE: 1/4" = 1'-0"

BUS ROUTE

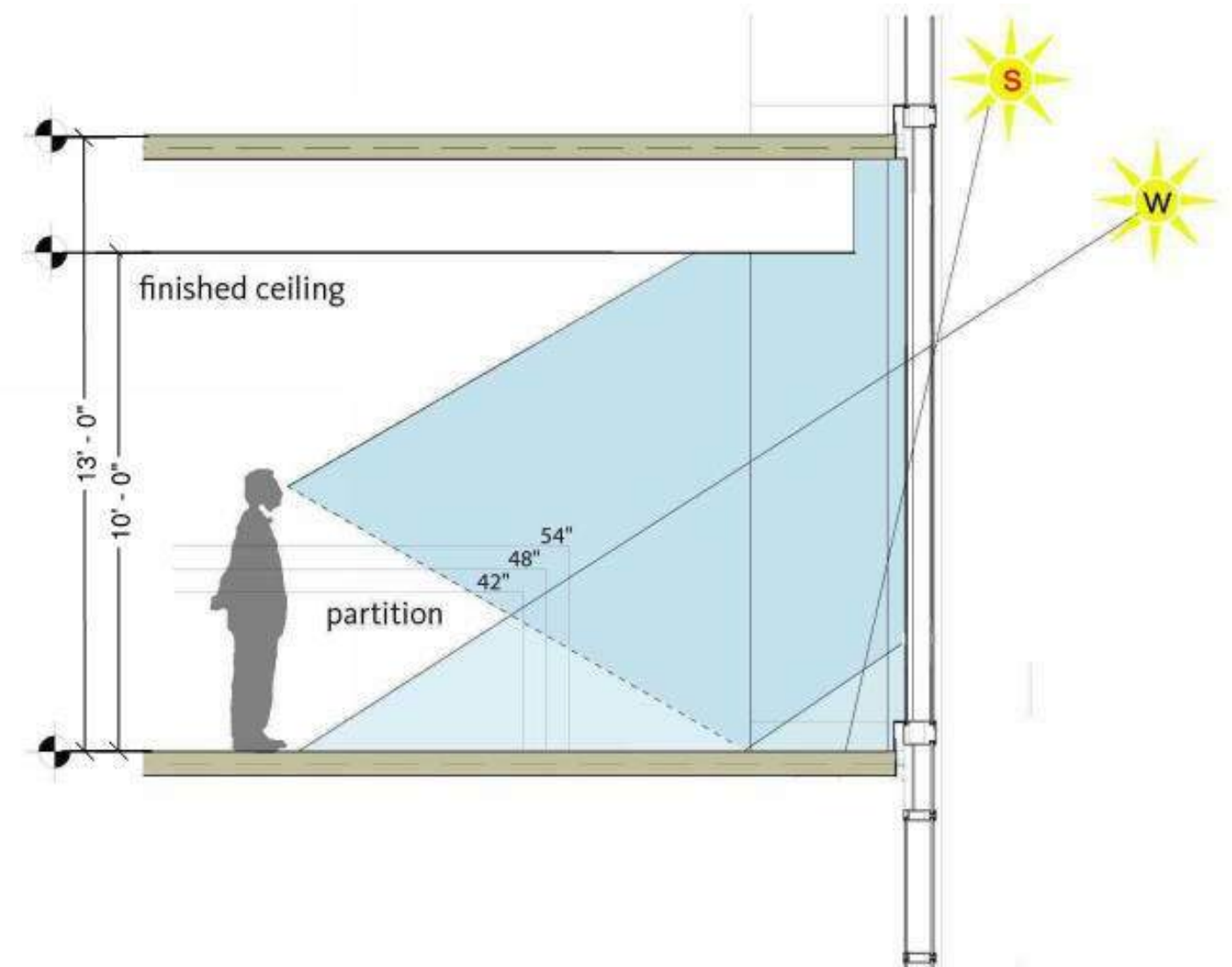


CLASS A OFFICE TOWER: 600 BRICKELL
OFFICE FLOOR TO FLOOR HEIGHT: 13' -6"



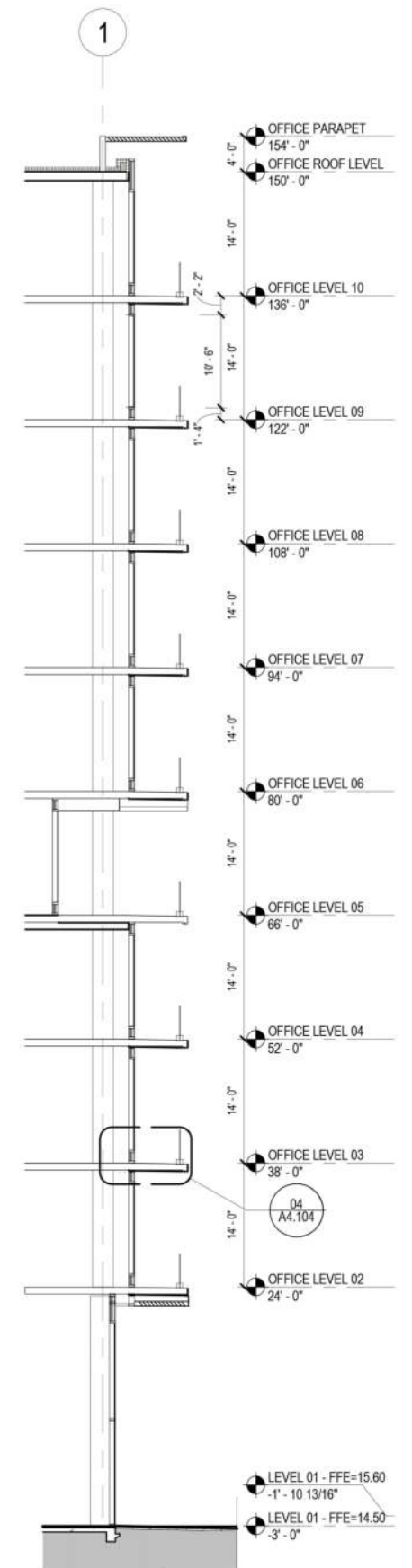


CLASS A OFFICE TOWER: 600 BRICKELL
 OFFICE FLOOR TO FLOOR HEIGHT: 13' -0"



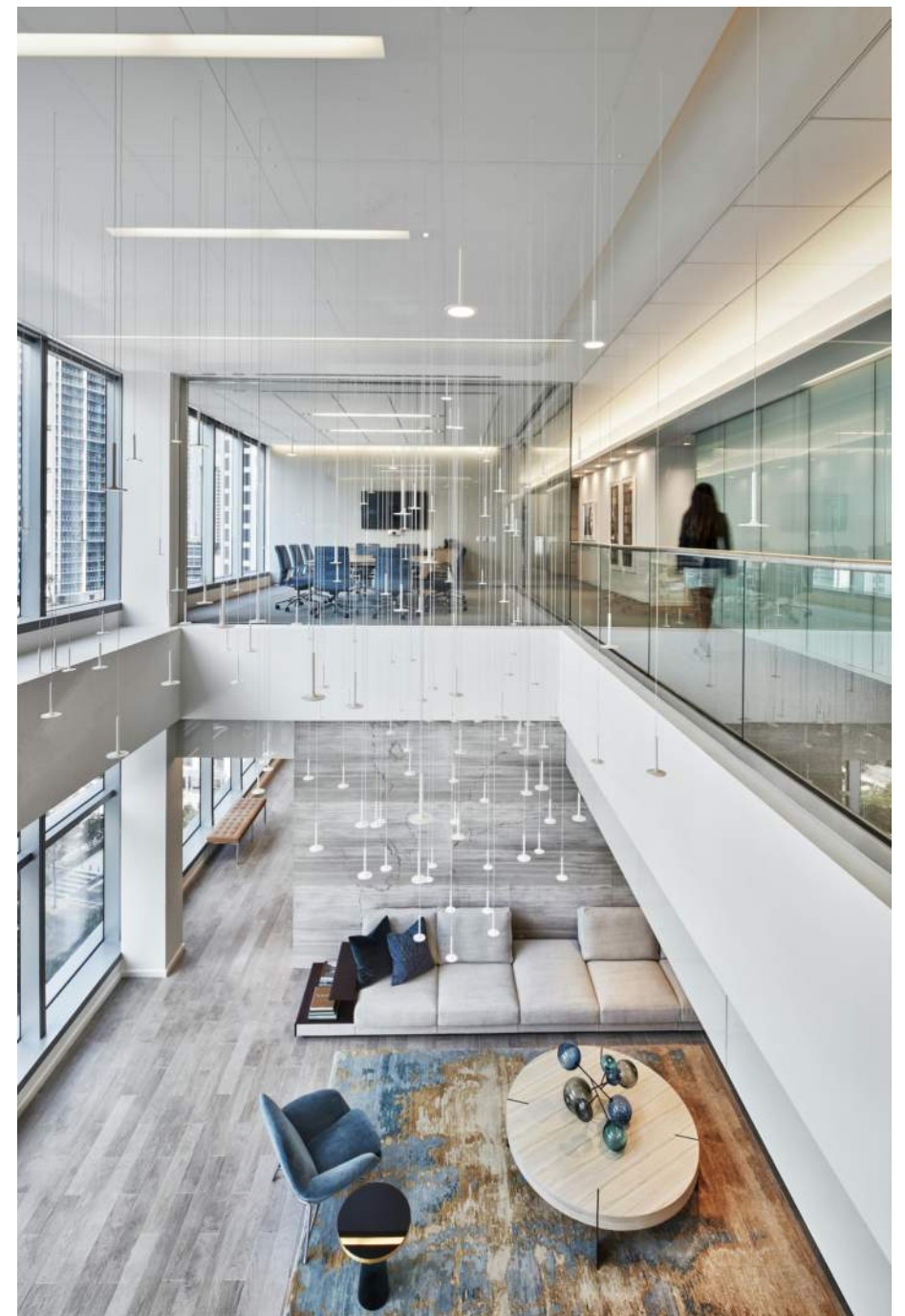


CLASS A OFFICE TOWER: 545 WYN
 OFFICE FLOOR TO FLOOR HEIGHT: 14' -0"





CLASS A OFFICE TOWER: THREE BRICKELL CITY CENTER
TENANT: AKERMAN
FLOOR TO FLOOR HEIGHT: 13' - 6"
FINISHED CEILING HEIGHT: 10'-0"





CLASS A OFFICE TOWER: 600 BRICKELL AVENUE
TENANT: SITEL
FLOOR TO FLOOR HEIGHT: 13'-6"
FINISHED CEILING HEIGHT: 10'-0"

