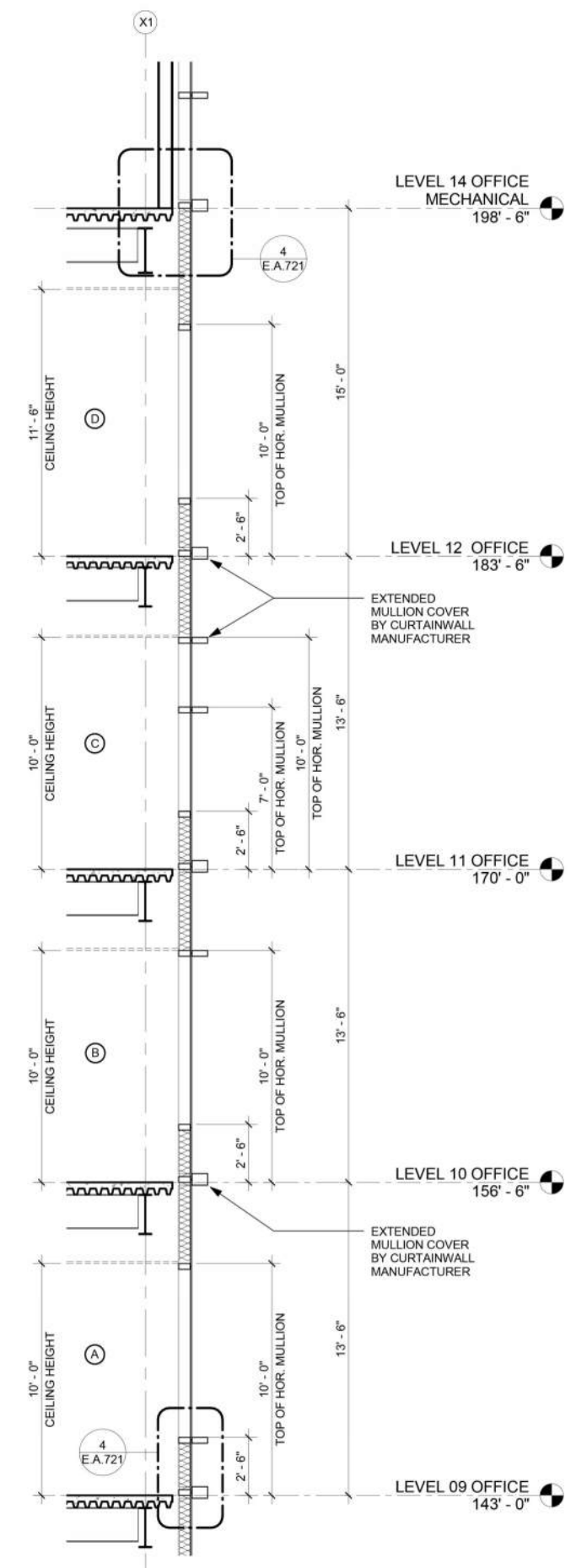


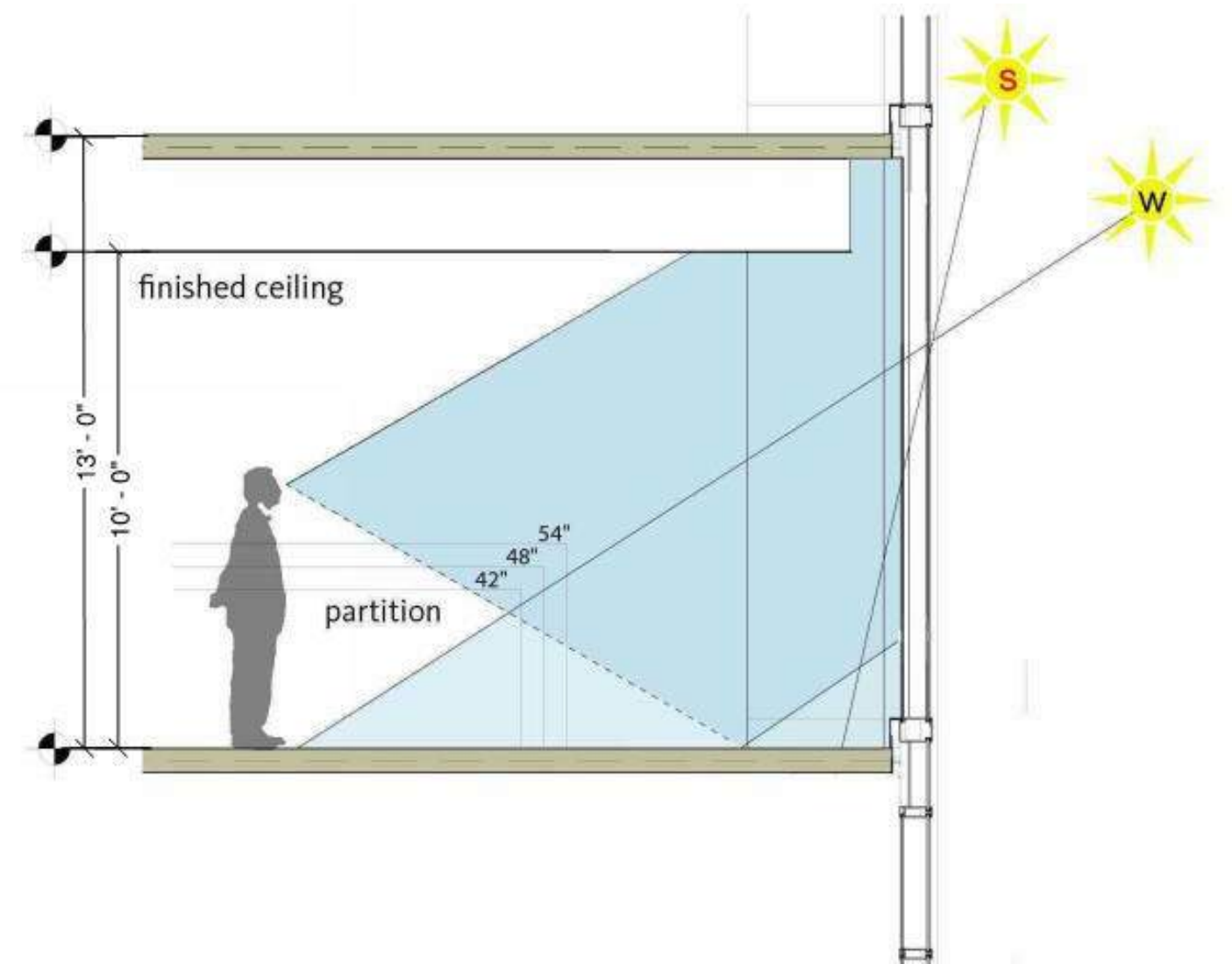


CLASS A OFFICE TOWER: 600 BRICKELL
OFFICE FLOOR TO FLOOR HEIGHT: 13' - 6"



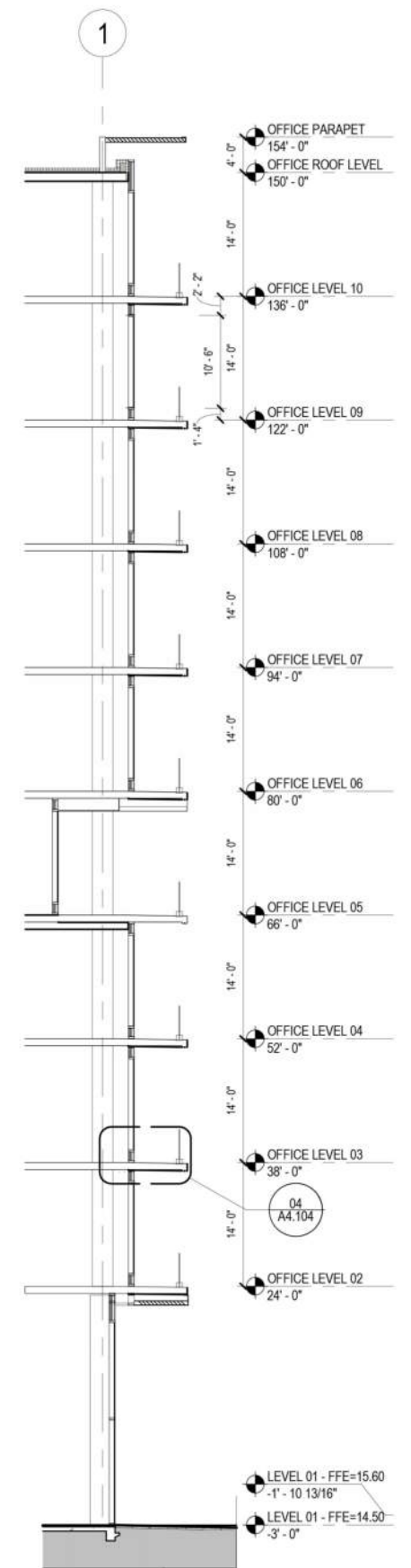


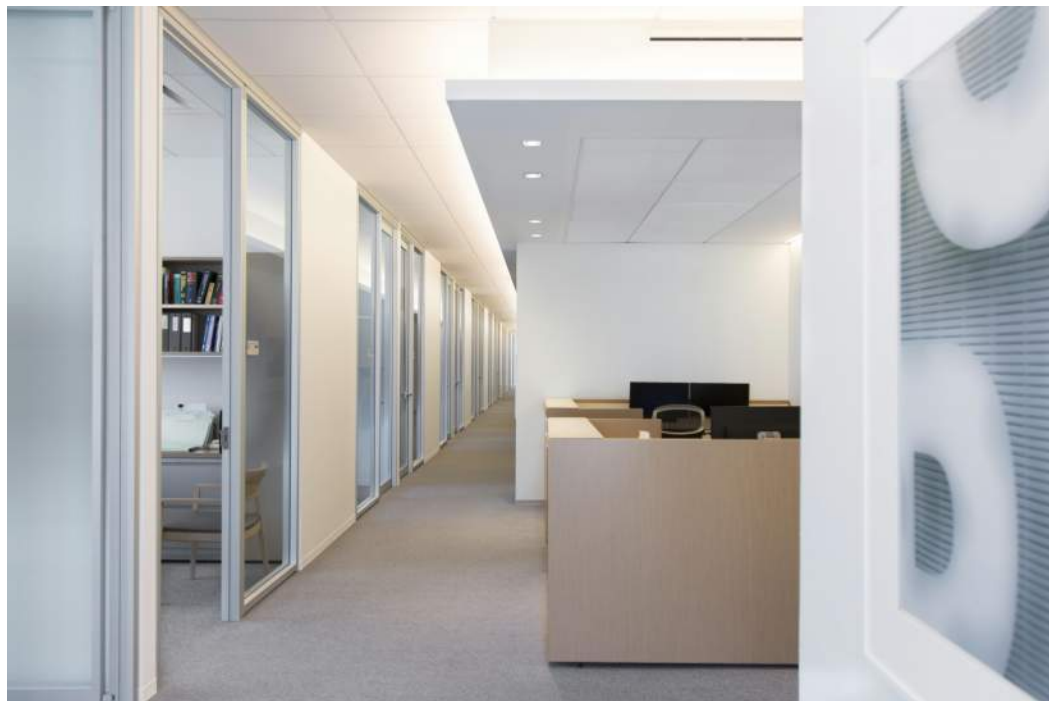
CLASS A OFFICE TOWER: 600 BRICKELL
OFFICE FLOOR TO FLOOR HEIGHT: 13' -0"



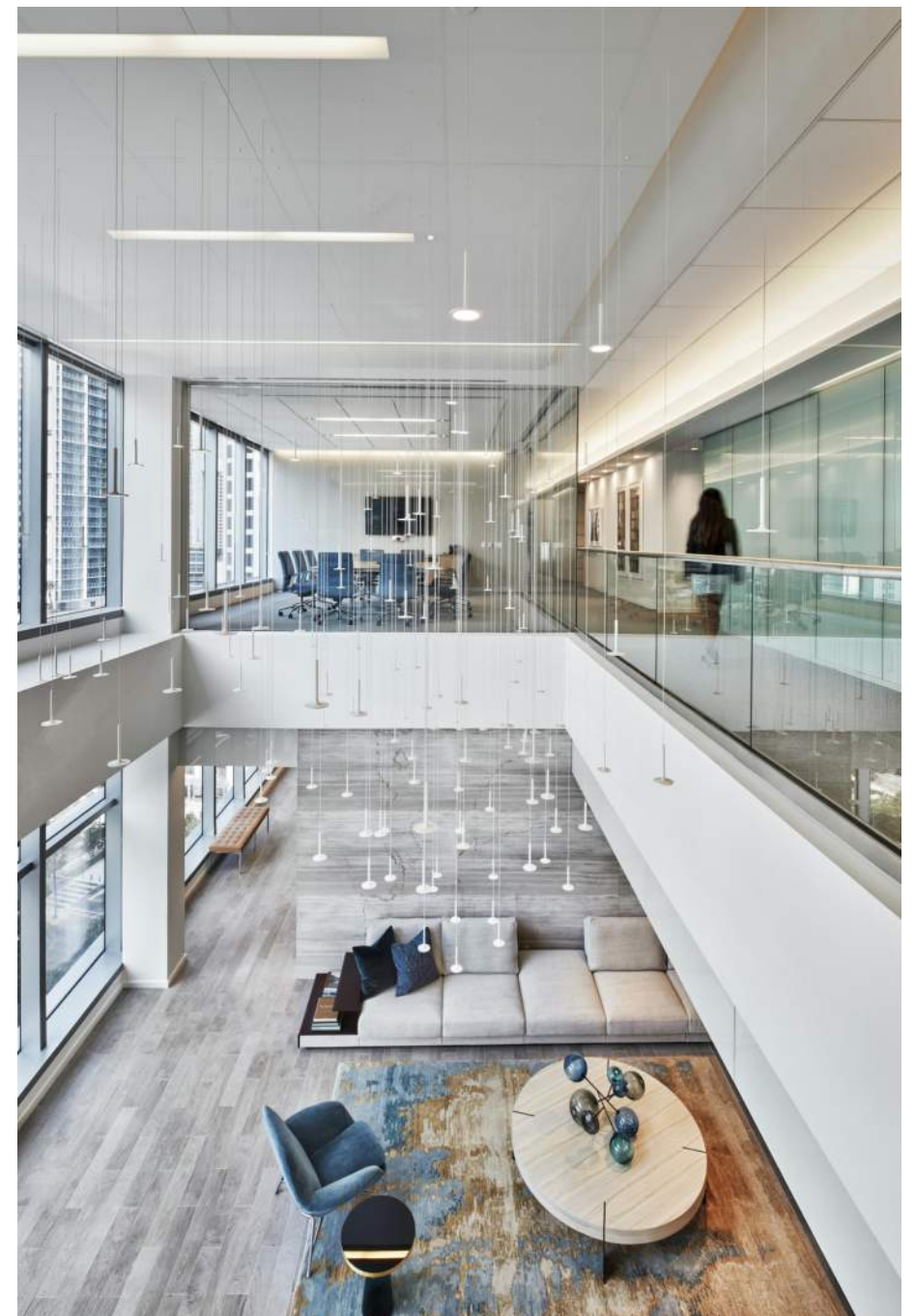


CLASS A OFFICE TOWER: 545 WYN
 OFFICE FLOOR TO FLOOR HEIGHT: 14' -0"





CLASS A OFFICE TOWER: THREE BRICKELL CITY CENTER
TENANT: AKERMAN
FLOOR TO FLOOR HEIGHT: 13' - 6"
FINISHED CEILING HEIGHT: 10'-0"





© Anni Rao via CTBUH

CLASS A OFFICE TOWER: 600 BRICKELL AVENUE
TENANT: SITEL
FLOOR TO FLOOR HEIGHT: 13'-6"
FINISHED CEILING HEIGHT: 10'-0"

