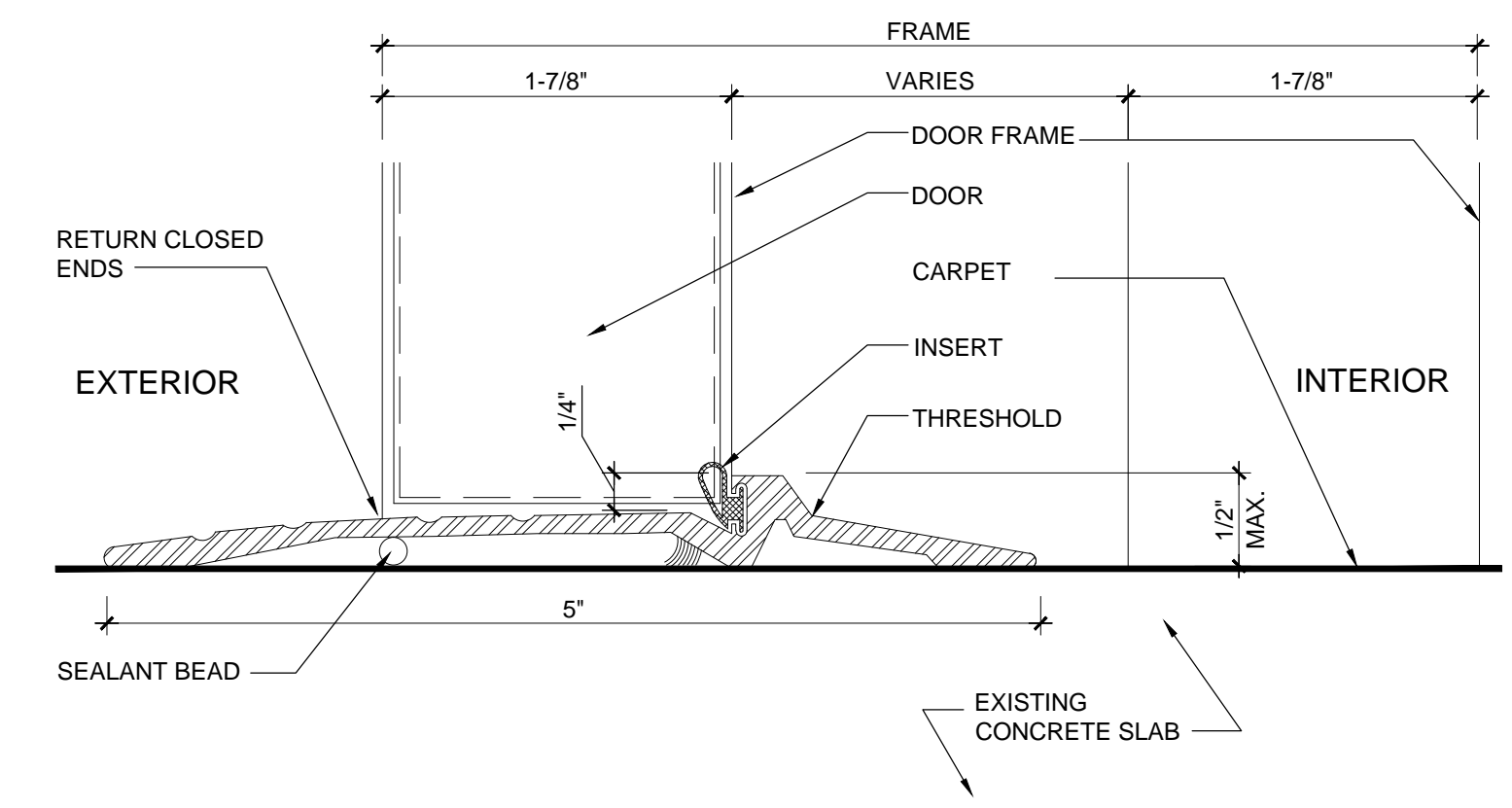
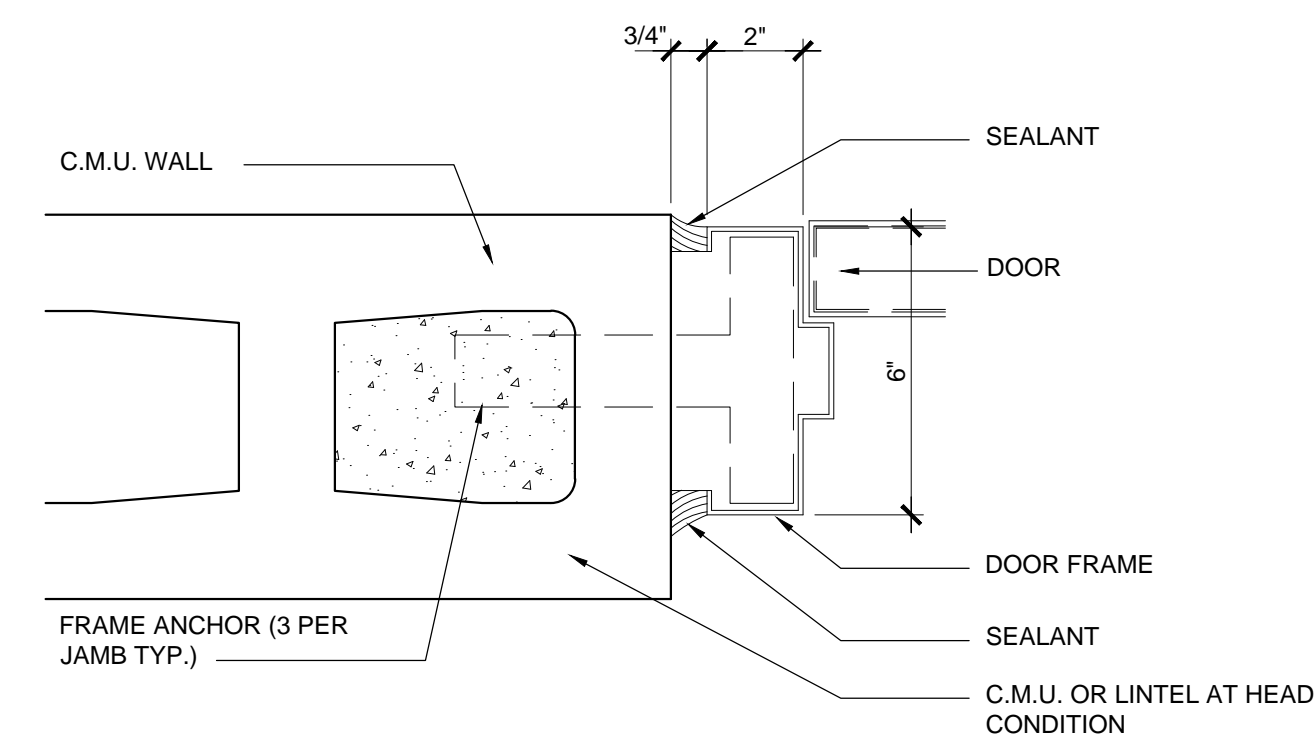


**1** TYPICAL WINDOW JAMB/HEAD DETAIL  
S-2 SCALE: 3" = 1'-0"

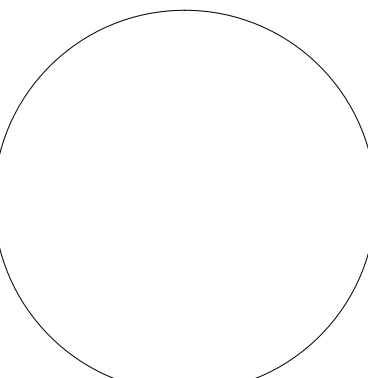
**2** TYPICAL WINDOW SILL DETAIL  
S-2 SCALE: 3" = 1'-0"



**3** TYPICAL DOOR JAMB/HEAD DETAIL  
S-2 SCALE: 3" = 1'-0"

**4** TYPICAL DOOR THRESHOLD DETAIL  
S-2 SCALE: 3" = 1'-0"

Seal:



CHARLES C. MITCHELL, P.E.  
P.E. # 11127

Revisions:

Project Name:  
**WINDOW & DOOR  
REPLACEMENT**

7921 ABBOTT AVENUE  
MIAMI BEACH, FL 33141

KEY PLAN

ISSUED FOR:	

Comm. No.  
Scale: AS-SHOWN  
Date: 03/05/2019  
Drawn: KL  
Checked: CM  
Draw'g Title:

**DETAILS**

Sheet No.