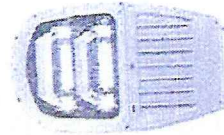


GE
 (General Electric)
 Ordering Number Logic
 Scalable Specification Grade Coorchead ERS2

LED (Cobra)
 Head
 Lights



ERS2

(Spec's)

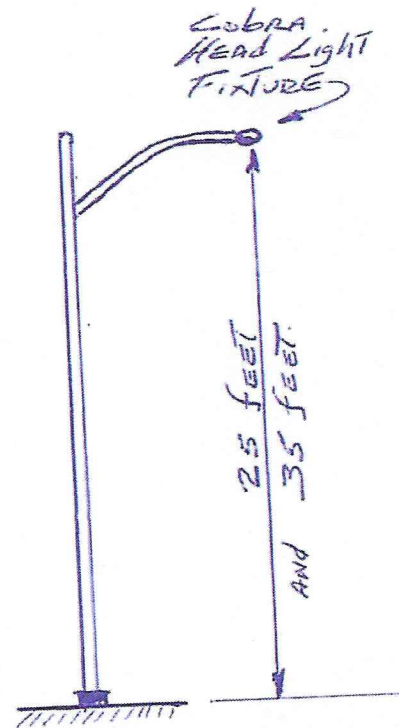
PROD. ID	VOLTAGE	OPTICAL CODE	PHOTOMETRIC TYPE	DRIVE CURRENT	LED COLOR TEMP	PE FUNCTION	COLOR	OPTIONS
E = Evolve	D = 120-277 1 = 120 2 = 208 3 = 240 4 = 277 H = 347-480	Product Tier 3 = Specification Grade See Traits for all levels	A1 = Extra Narrow Asymmetric B1 = Extra Narrow Asymmetric (Medium) C1 = Asymmetric (Short) D1 = Asymmetric Forward E1 = Asymmetric Medium	5 = 525mA 7 = 1050mA 1 = 1050mA	40 = 4000K 50 = 5000K	1 = None 2 = PE Rec 4 = PE Rec with Shorting Cap 5 = PE Rec with Control 7 = GE Dimming 5-Pin PE Receptacle 9 = GE Dimming 5-Pin PE Receptacle with Shorting Cap * When ordering PE function socket 7 or 9, a dimming driver add after dimming driver (Dimming must also be ordered under the "OPTIONS" column) * Order dimming control PE as a separate item NOTE: As an S138 41 7-Pin dimming receptacle, contact manufacturer	BLCK = Black GRAY = Gray	B = Internal Bubble level D = Dimming F = Fusing G = External Bubble Level L = Tool-Less Entry R = Additional Secondary Surge Protection Device T = GE Energy Extreme Surge Protection per IEEE/ANSI C62.41.2-2002 - Rating 1 - 10kV/5kA Location Category II/20 events - Rating 2 - 6kV/3kA Location Category C/low (5000 events) XXX = Special Options * When ordering Dimming PE Receptacle 7, 9 or A, Dimming driver must be selected under "OPTIONS" column NOTE: For dimming receptacle under PE Function is selected and D-Dimming is selected under "OPTION", D-Dimming users will be provided with access through a shifter coming in unit

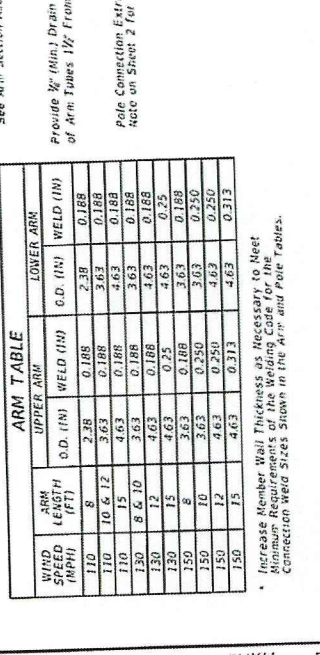
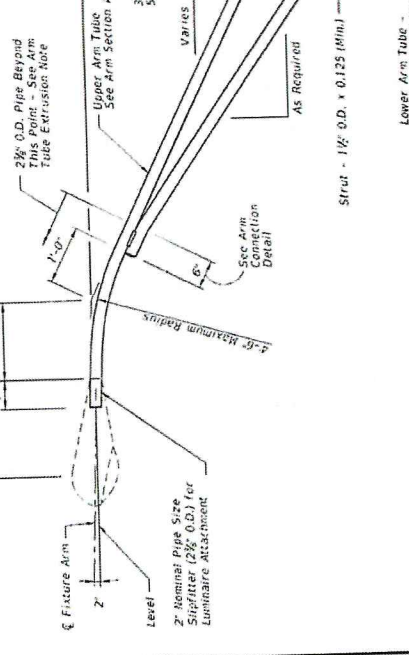
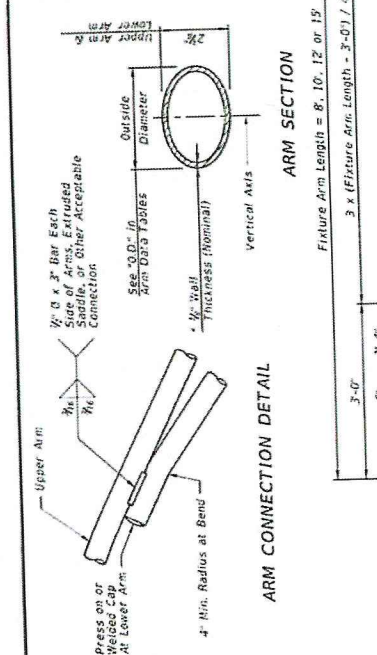
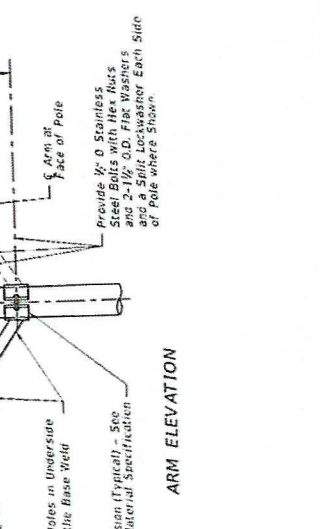
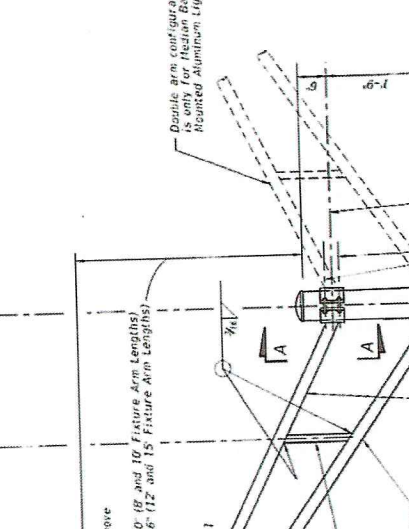
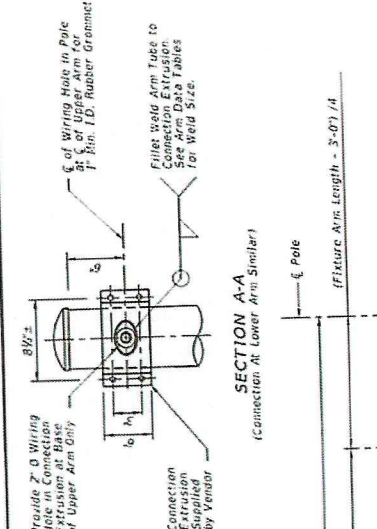
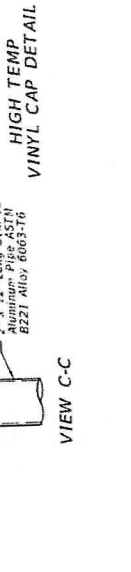
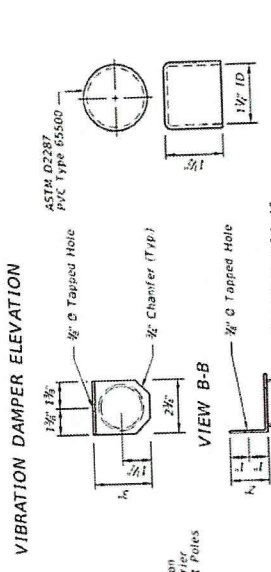
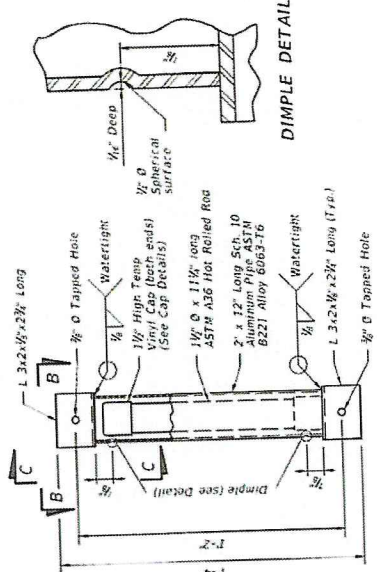
525 mA		PHOTO-METRIC TYPE	DRIVE CURRENT	TYPICAL SHIFTEK WATTAGE			TYPICAL INITIAL LUMENS			TYPICAL INITIAL LUMENS			YES/NO NUMBERS
PRODUCT ID	OPTICAL CODE			120-277V	4000K	5000K	B RATING	D RATING	G RATING	4000K	5000K	6000K	
ERS2	D3	A1	525mA	88	8000	8000	2	0	2	91	91	456404	456429
ERS2	E3		525mA	99	9100	9100	3	0	2	92	92	456405	456430
ERS2	F3		525mA	112	10200	10200	3	0	2	92	92	456406	456431
ERS2	G3	B1	525mA	125	11500	11500	3	0	2	92	92	456407	456432
ERS2	H3		525mA	138	12700	12700	3	0	3	92	92	456408	456433
ERS2	D3		525mA	88	8200	8200	2	0	1	93	93	456409	456434
ERS2	E3	C1	525mA	99	9300	9300	2	0	1	94	94	456410	456435
ERS2	F3		525mA	112	10600	10600	2	0	2	94	94	456411	456436
ERS2	G3		525mA	125	11800	11800	3	0	2	94	94	456412	456437
ERS2	H3	D1	525mA	138	13000	13000	3	0	2	94	94	456413	456438
ERS2	D3		525mA	88	8200	8200	2	0	1	93	93	456414	456439
ERS2	E3		525mA	99	9300	9300	2	0	1	94	94	456415	456440
ERS2	F3	E1	525mA	112	10600	10600	2	0	1	95	95	456416	456441
ERS2	G3		525mA	125	11800	11800	3	0	2	94	94	456417	456442
ERS2	H3		525mA	138	13000	13000	3	0	2	94	94	456418	456443
ERS2	D3	E1	525mA	88	8000	8000	2	0	1	91	91	456419	456444
ERS2	E3		525mA	99	9100	9100	2	0	2	92	92	456420	456445
ERS2	F3		525mA	112	10300	10300	2	0	2	92	92	456421	456446
ERS2	G3	E1	525mA	125	11500	11500	2	0	2	92	92	456422	456446
ERS2	H3		525mA	138	12700	12700	3	0	3	93	93	456423	456449
ERS2	D3		525mA	88	8200	8200	2	0	2	94	94	456424	456450
ERS2	E3	E1	525mA	99	9400	9400	2	0	2	94	94	456425	456450
ERS2	F3		525mA	112	10600	10600	3	0	2	95	95	456426	456451
ERS2	G3		525mA	125	11800	11800	3	0	2	94	94	456427	456452
ERS2	H3	E1	525mA	138	13000	13000	3	0	2	94	94	456428	456453

- NOTES:
- Max Operating Ambient 50° C
 - 347-480V Not Available
 - For T Option Availability Contact Manufacturer

Lumen Maintenance

- Projected L92 (10K) ≥ 50,000 at Ta 25C
 - Projected L70 (10K) > 100,000 at Ta 25C
- Based on 10,000h LM-80 data for Nichia 219B SQETMLH17005





WIND SPEED (MPH)	UPPER ARM		LOWER ARM	
	ARM LENGTH (FT)	O.D. (IN)	WELD (IN)	WELD (IN)
110	8	2.38	0.188	2.38
110	10	2.63	0.188	2.63
110	15	3.63	0.188	3.63
130	8 & 10	3.63	0.188	3.63
130	12	4.63	0.188	4.63
130	15	4.63	0.188	4.63
150	8	3.63	0.188	3.63
150	10	3.63	0.250	3.63
150	12	4.63	0.250	4.63
150	15	4.63	0.313	4.63

* Increase Member Wall Thickness as Necessary to Meet Minimum Requirements of the Welding Code for the Connection Weld Sizes Shown in the Arm and Pole Tables.

ARM TUBE EXTRUSIONS NOTES:
 At the pole connections, provide arm tube extrusions with dimensions as shown in the connection detail. The connection detail is shown in the "Transition Elliptical" section to a cylindrical section at the arm connection.
 The fabricator may substitute elliptical cross sections other than those shown in the connection detail provided the section properties about the vertical axis and the area of the section equal or exceed that of the required section. The fabricator shall provide minimum wall thickness of 1/8 nominal and obtain the Aluminum Association Tolerances.
 The outside diameter about the minor axis should be not less than 2 1/2" at the upper and lower arms.

ARM & DAMPER DETAILS
 INDEX NO. 17515
 SHEET NO. 3 of 8

2015 DESIGN STANDARDS
 STANDARD ALUMINUM LIGHTING

FDOT

DESCRIPTION:
 LAST REVISION: 01/01/12