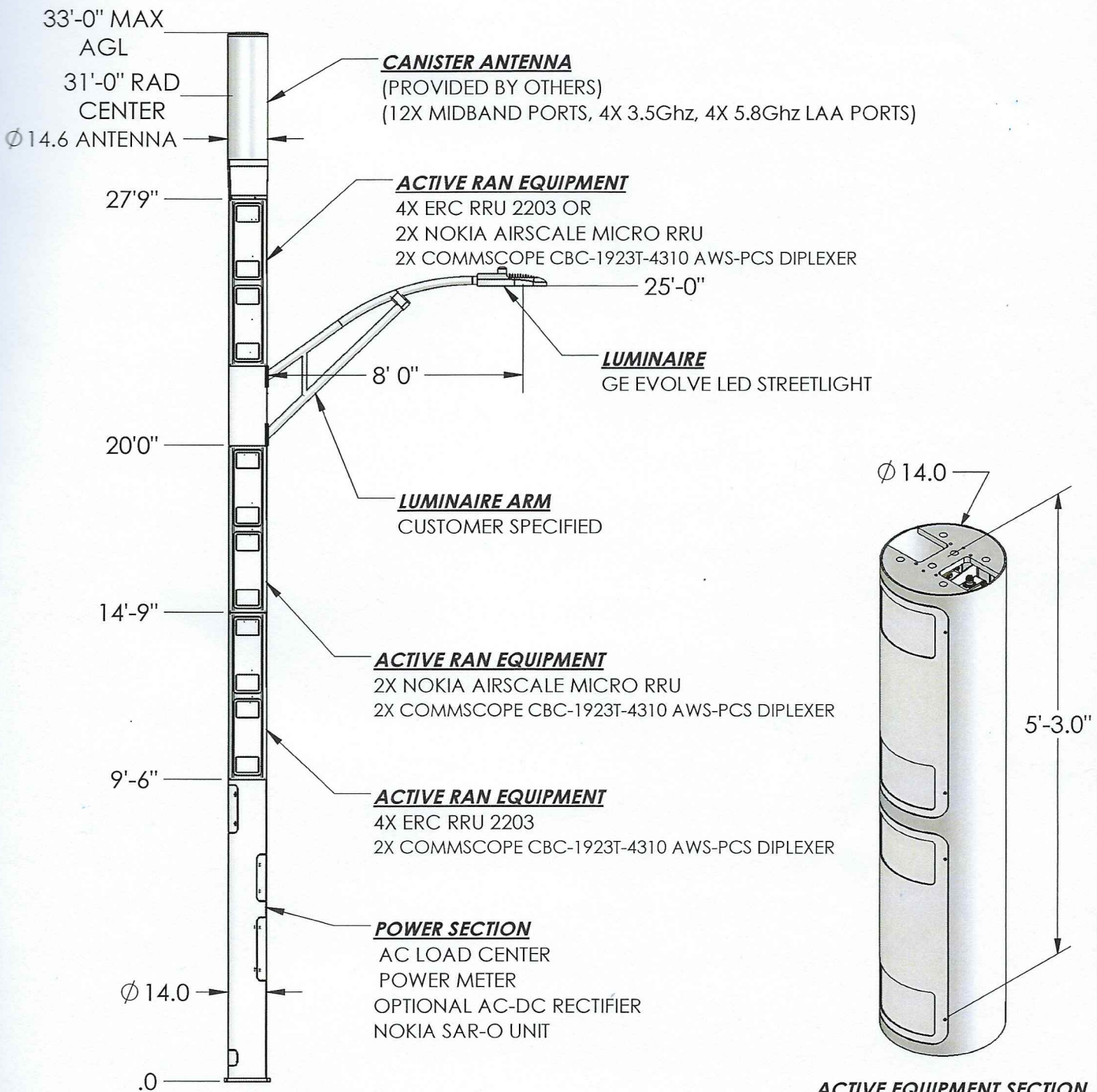


REVISIONS			
REV.	DESCRIPTION	BY	DATE
A	MODIFIED ANTENNA USED	MJP	07/11/2018



DO NOT SCALE THIS PRINT	DRAWN BY:	SHEET:	PART NUMBER:
	CHECKED BY:	SCALE:	DESCRIPTION:
	DATE:	MATERIAL:	DRAWING TYPE:
	REVISION:	FINISH:	
		WEIGHT:	

4

3

2

1

D

D

COMMSCOPE CBC-1923T-4310
AWS-PCS DIPLEXER

PERFORATED
VENTILATION
AREA ON STRUCTURE

C

C

PERFORATED
VENTILATION
AREA ON DOOR

B

B

MOUNTING BRACKET

ERC RRU 2203

ACTIVE RAN EQUIPMENT SECTION
ERC RRU 2203 OPTION

A

A

SSC-760239359N936

METRO CELL, INT POLE SOLN, PICO, CC, LAA 36FT - AMP

A

COMMSCOPE®

4

1

3

↑

2

1

1

4

3

2

1

D

D

COMMSCOPE CBC-1923T-4310
AWS-PCS DIPLEXER

PERFORATED
VENTILATION
AREA ON
STRUCTURE

NOKIA AIRSCALE
MICRO RRU

MOUNT BRACKET

NOKIA AIRSCALE PSU

PERFORATED
VENTILATION
AREA ON DOOR

C

B

ACTIVE RAN EQUIPMENT SECTION
NOKIA AIRSCALE RRU OPTION

A

A

SSC-760239359N936

METRO CELL, INT POLE SOLN, PICO, CC, LAA 36FT - AMP

A

COMMSCOPE®

4

1

3

↑

2

1

4

3

2

1

D

D

C

C

B

B

A

A

ERC 2205 LAA RRU
WITH MOUNT BRACKET

PERFORATED
VENTILATION
AREA ON STRUCTURE

PERFORATED
VENTILATION
AREA ON DOOR

NOKIA AIRSCALE PSU

NOKIA AIRSCALE
LAA MICRO RRU

ACTIVE RAN EQUIPMENT SECTION
LLA OPTION

<p>.....</p> <p>.....</p> <p>.....</p>			<p>SSC-760239359N936</p>
<p>.....</p> <p>.....</p> <p>.....</p>			<p>METRO CELL, INT POLE SOLN, PICO, CC, LAA 36FT - AMP</p>
<p>.....</p> <p>.....</p> <p>.....</p>			<p>COMMSCOPE®</p>
<p>A</p>			

4

3

2

1

4

3

2

1

D

D

C

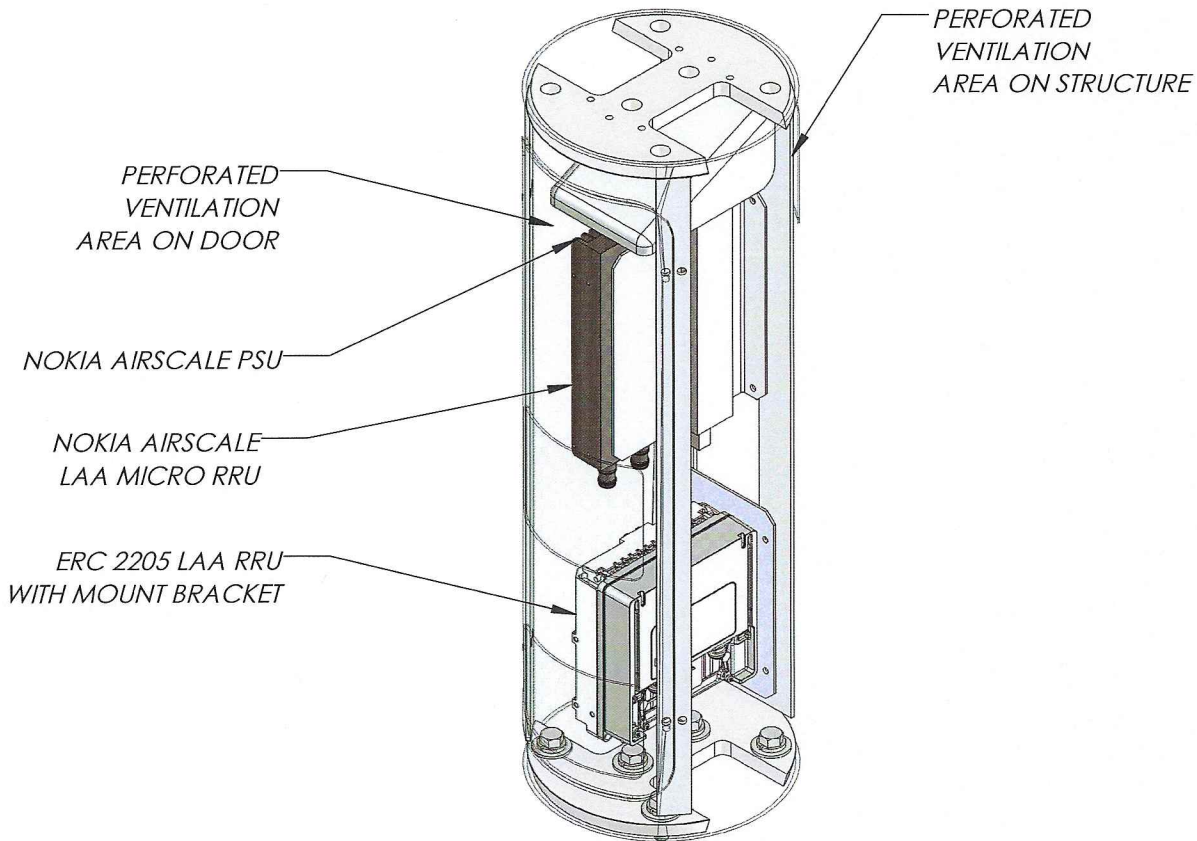
C

B

B

A

A



ACTIVE RAN EQUIPMENT SECTION
SHORT SECTION

SSC-760239359N936			
METRO CELL, INT POLE SOLN, PICO, CC, LAA 36FT - AMP			
B		COMMSCOPE®	

4

3

2

1

4

3

2

1

D

D

COMMSCOPE CBC-1923T-4310
AWS-PCS DIPLEXER

PERFORATED
VENTILATION
AREA ON STRUCTURE

C

C

PERFORATED
VENTILATION
AREA ON DOOR

B

B

MOUNTING BRACKET

ERC RRU 2203

ACTIVE RAN EQUIPMENT SECTION
ERC RRU 2203 OPTION

A

A

SSC-760239359N936

METRO CELL, INT POLE SOLN, PICO, CC, LAA 36FT - AMP

A

COMMSCOPE®

4

1

3

↑

2

1

1

4

3

2

1

D

D

COMMSCOPE CBC-1923T-4310
AWS-PCS DIPLEXER

PERFORATED
VENTILATION
AREA ON
STRUCTURE

NOKIA AIRSCALE
MICRO RRU

MOUNT BRACKET

NOKIA AIRSCALE PSU

PERFORATED
VENTILATION
AREA ON DOOR

C

C

B

B

ACTIVE RAN EQUIPMENT SECTION
NOKIA AIRSCALE RRU OPTION

A

A

SSC-760239359N936

METRO CELL, INT POLE SOLN, PICO, CC, LAA 36FT - AMP

A

COMMSCOPE®

4

1

3

↑

2

1

1

4

3

2

1

D

D

C

C

B

B

A

A

ERC 2205 LAA RRU
WITH MOUNT BRACKET

PERFORATED
VENTILATION
AREA ON STRUCTURE

PERFORATED
VENTILATION
AREA ON DOOR

NOKIA AIRSCALE PSU

NOKIA AIRSCALE
LAA MICRO RRU

ACTIVE RAN EQUIPMENT SECTION
LLA OPTION

<p>.....</p> <p>.....</p> <p>.....</p>			<p>SSC-760239359N936</p>
<p>.....</p> <p>.....</p> <p>.....</p>			<p>METRO CELL, INT POLE SOLN, PICO, CC, LAA 36FT - AMP</p>
<p>.....</p> <p>.....</p> <p>.....</p>			<p>COMMSCOPE®</p>
<p>A</p>			

4

3

2

1

4

3

2

1

D

D

C

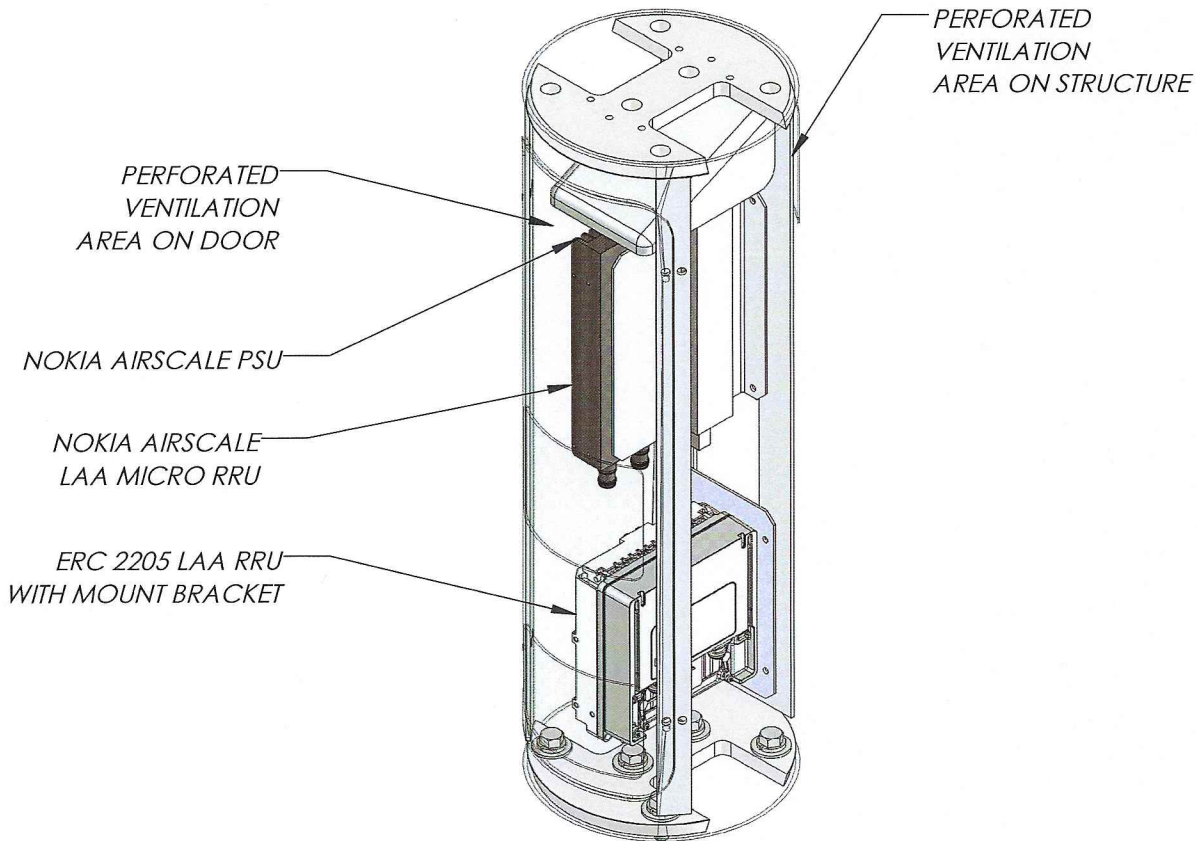
C

B

B

A

A



ACTIVE RAN EQUIPMENT SECTION
SHORT SECTION

SSC-760239359N936			
METRO CELL, INT POLE SOLN, PICO, CC, LAA 36FT - AMP			
B		COMMSCOPE®	

4

3

2

1