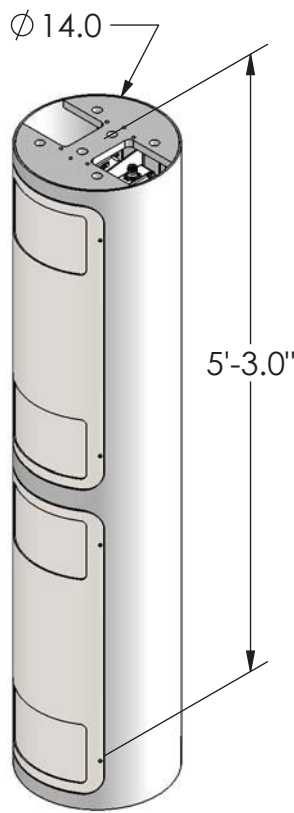
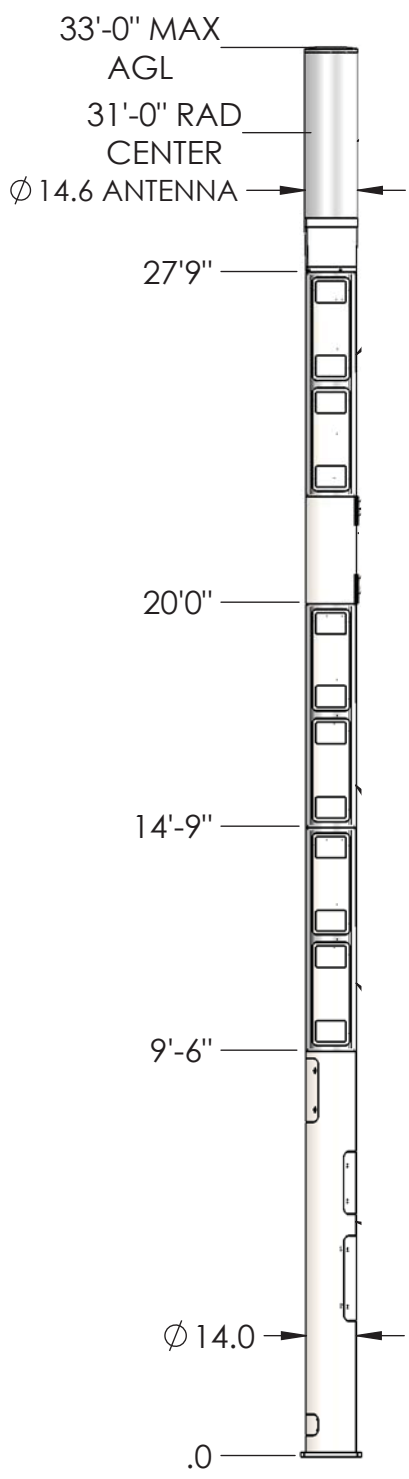


REVISIONS			
REV.	DESCRIPTION	BY	DATE
A	MODIFIED ANTENNA USED	MJP	07/11/2018

D
C
B
A



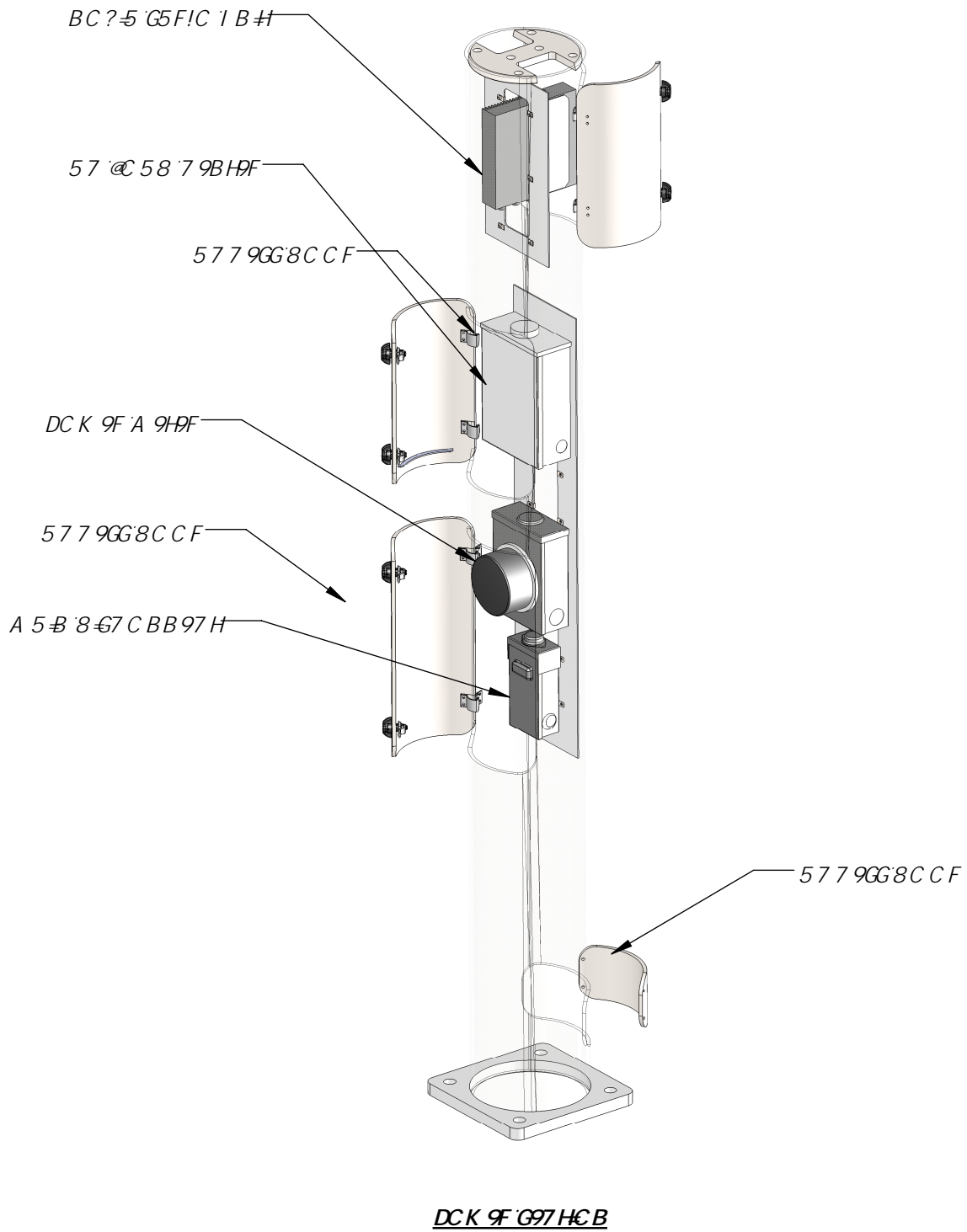
ACTIVE EQUIPMENT SECTION

A

DRAWN BY:	SHEET:	PART NUMBER:
CHECKED BY:	SCALE:	DESCRIPTION:
DATE:	MATERIAL:	DRAWING TYPE:
REVISION:	FINISH:	
	WEIGHT:	

DO NOT SCALE THIS PRINT

4 3 2 1



EXUCU Tt0gYVw: Q^T c' USWSOdY_c ObU dXU 'b_ bXudObi 'b_ Ubd
 V 4]] DS_ U :^SZ O^T] OI' RU ecUT _^N V b dXU c' USWS
 'eb _cU Qedk_bjUT Y' gbdW Rl 4_]] DS_ U :^SZ

2== 5:>67D:@?D 2C6 :? :?496D Fz@Zz
 E@=6C2?46D F? =6DD @E96CH:D6 DA64:7:65+

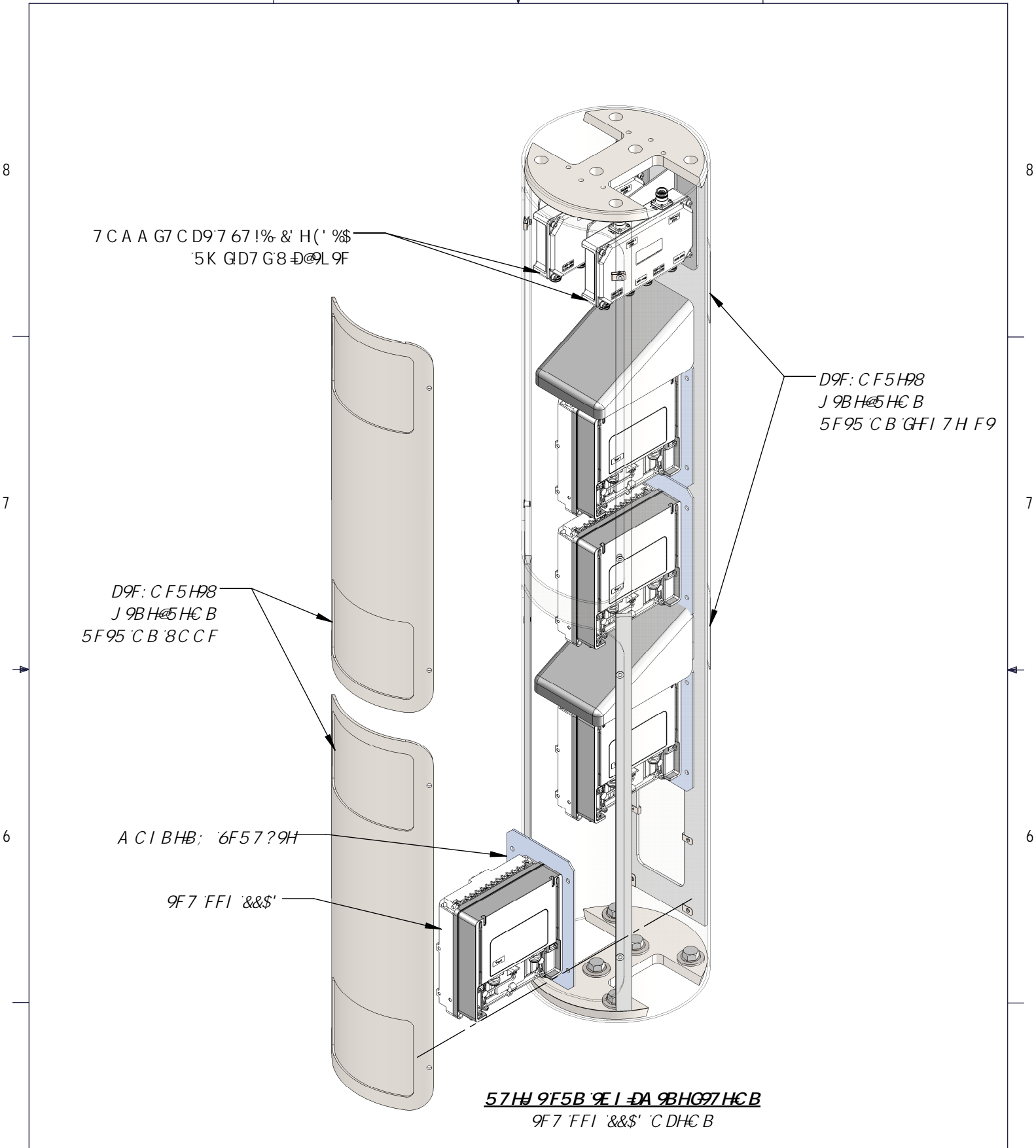
Z . y Z# 278=6D y#x
 Z l . y Z' 7C24E:@?D y* z \$#
 Z ll . y Z \$"

C6>@G6 3FCDD 2?5 3C62< 6586D Z!&

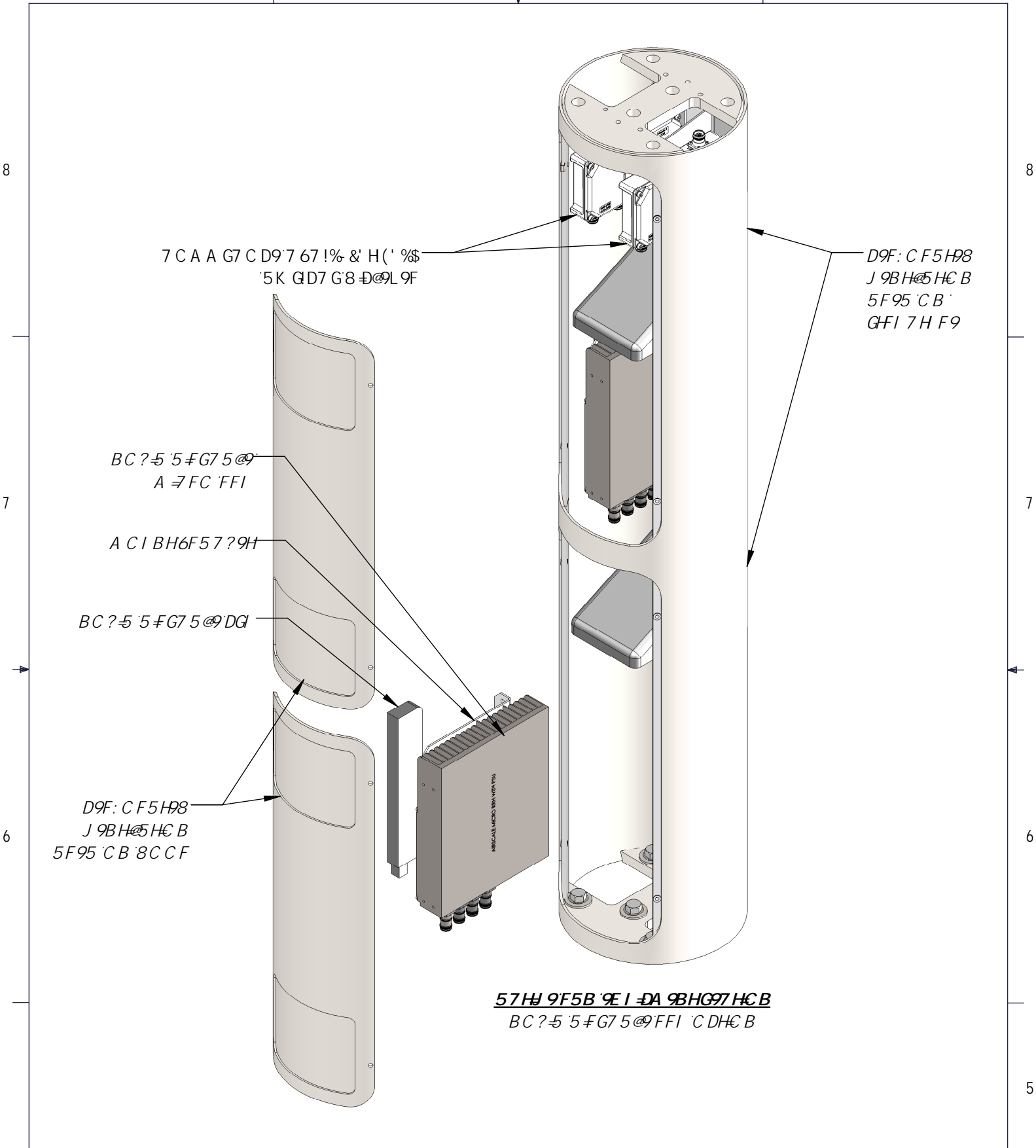
5@ ?@E D42=6 E9:D AC:?E

SC2H? 3J+	D96E+	AZCE ?F>36C+
> ; A	# _V '	GG7!+*\$&' - ') - B- ' *
4964e65 3J+	D42=6+	S6DCAE#?+
	? ED	A 9HF C '79@z#B'DC@9'GC@BzD=7Cz77z@55" *: H!'5AD
5266+	>26C3+	SC2H?B E1A6+
C6G:D.@?+	77.D9+	
5	H6.89E	

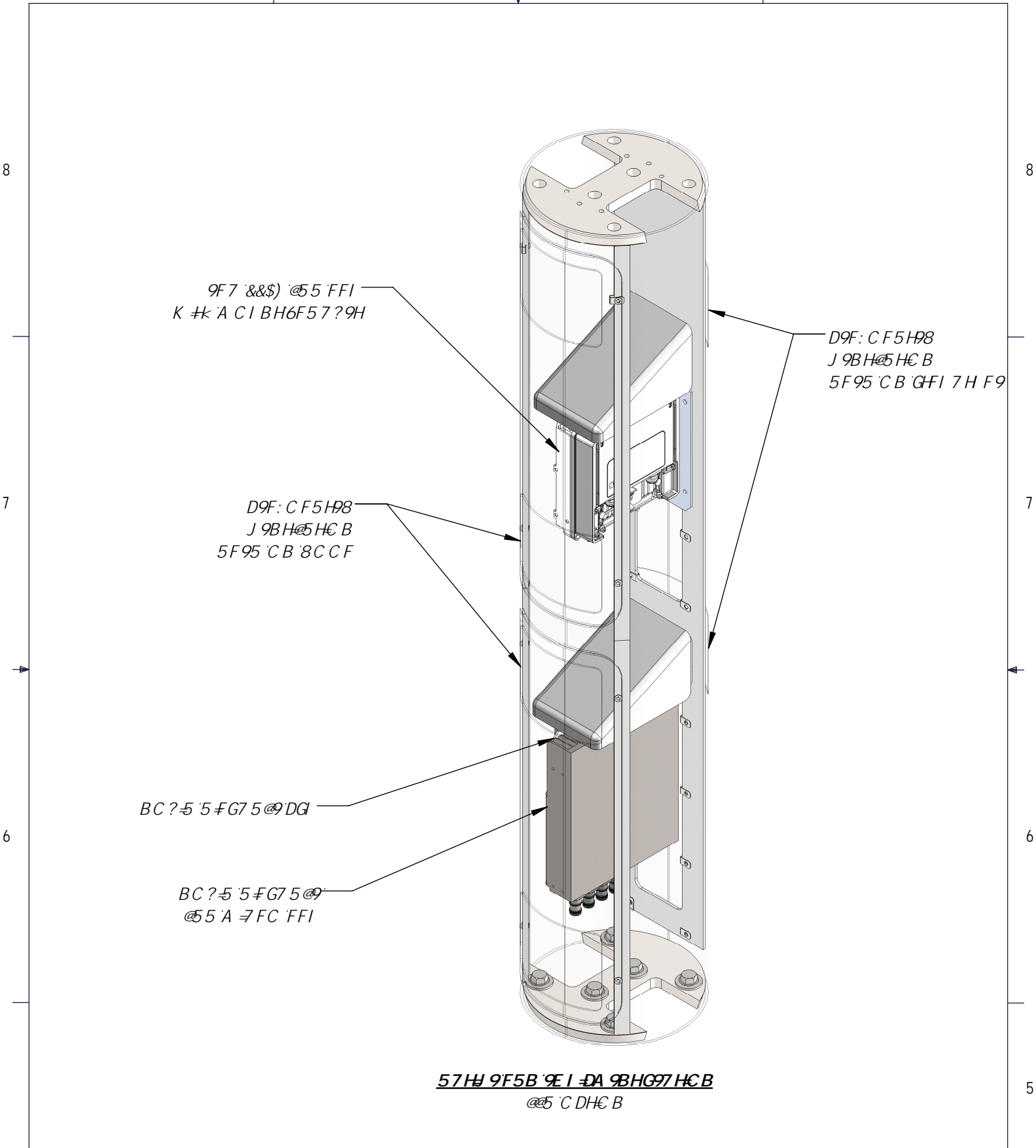
COMMSCOPE®



EXUCU TtdgYVW: Q^T c' USWSOdY_c ObU dKU ' b_ bUdObi ' b_ Ubd _V 4_]] DS_ U :^SZ O^T] OI RU ecUT _^X V b dXU c' USWS ' eb _cU QedK_bjUT Y' g bWV W Rl 4_]] DS_ U :^SZ	SC2H? 3J+ > ; A	D966+ \$ _V '	AZCE 7F>36C+ GG7!+* \$&' -') - B - ' *
2== 5>:67D:@? D 2C6 :? :?496D FZ@Z E@=6C2?46D F? =6DD @E96CH:D6 DA64:7:65+ Z . y Z# 278=6D y#x Z 1 . y Z' 7C24E:@? D y* z \$# Z 11 . y Z \$"	4964+65 3J+ D42+6 ? ED	5266+ >26C 3J+	S6DCAE@?+ A 9HF C '79@z-BH'DC@9 GC@BzD=7Cz77z@55' *: H!5A D
C6>@G6 3FCDD 2?5 3C62< 6586D Z!&	C6G:D.@?+ 5	77.D9+ H6.99E	COMMSCOPE®
5@ ?@E D42=6 E9:D AC:?E	H6.99E ! !		



EXUCU Tt0gYVw: QAT c'USWSOdY^c ObU dKU 'b_ bUdObi 'b_ Ubd _V 4_]] DS_ U :SZ OAT] OI' RU ecUT _^N V.b dKU c'USWS 'eb _cU QedK_bjUT Y' gbdW RI 4_]] DS_ U :SZ	SC2H? 3J+ > ; A	D966+ % _V '	A2CE 7F>36C+ GG7!+*\$&'-')-B-' *
2== 5:>67D:@?D 2C6 :? :7496D FZ@Z2 E@=6C2?46D F? =6DD @E96CH:D6 DA64:7:65+ Z . y Z# 278=6D y#x Z 1 . y Z' 7C24E:@?D y*Z\$# Z 11. y Z '\$	4964+65 3J+ D42+6 ? ED	5266+ >26C3+	S6DCAE@7+ A 9HC'79@Z-BH'DC@9'GC@BZD=7Cz77z@55' *: H!5A D
C6>@G6 3FCCD 2?5 3C62< 6586D Z!&	C6G:D.@?+ 5	77.D9+ H6.9FE ! !	COMMSCOPE®
5@ ?@E D42=6 E9:D AC:?E			



EXUCU TbdgYVw: Q^T c' USWSOdY_c ObU dKU 'b_ bUdObi 'b_ Ubd _V 4_]] DS_ U :^SZ O^T] OI RU ecUT _^N V b dKU c' USWS ^eb _cU QedK_bjUT Y' g bdrW Rl 4_]] DS_ U :^SZ	SC2H? 3j+ > ; A	D966+ & _V '	AZCE 7F>36C+ GG7!+*\$&' -') -B-' *
2== 5:>67D:@?D 2C6 :? :?496D FZ@Z E@=6C2?46D F? =6DD @E96CH:D6 DA64:765+	4964e65 3j+	D42+6 ? ED	S6DCAE@7+ A 9HFC '79@z-BH'DC@9'GC@BzD=Cz77z@55' *: H! 5A D
Z . y Z# 278=6D y#x Z 1 . y Z' 7C24E:@?D y* z \$# Z 11. y Z \$"	5266+	>266C3+	SC2H?B EIA6+
C6>@G6 3FCDD 2?5 3C62< 6586D Z!&	C6G:D:@?+ 5	77.D9+	COMMSCOPE®
5@ ?@E D42=6 E9:D AC:?E	H689E 		

8

8

7

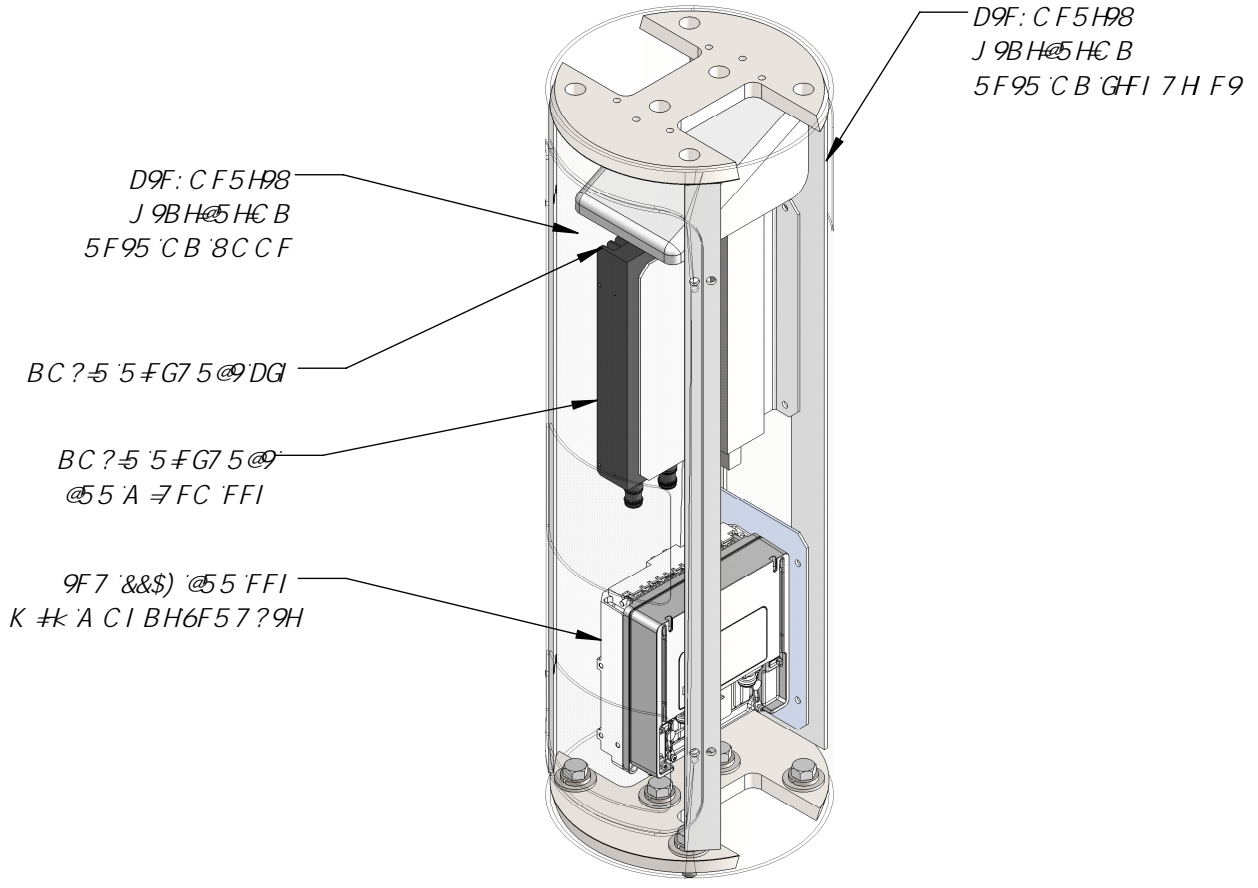
7

6

6

5

5



57 H J 9 F 5 B ' 9 E I - D A 9 B H G 9 7 H C B
G < C F H G 9 7 H C B

<p>EXUCU Tt0gYVw: Q^T c' USWSOdY_c ObU dKU ' b_ bXidObi ' b_ ' Ubd _V 4_]] DS_ U : ^SZ O^T] OI' RU ecUT_ ^X V b dKU c' USWS ^eb _cU QedK_bjUT Y^ g bXW Rl 4_]] DS_ U : ^SZ</p>	<p>SC2H? 3J+ > ; A</p>	<p>D96E+ ' _V '</p>	<p>A2CE 7F>36C+ GG7!+* \$&' - ') - B - ' *</p>
<p>2== 5:>67D:@?D 2C6 :? :?496D FZ@Z2 E@=6C2?46D F? =6DD @E96CH:D6 DA64:7:65+</p>	<p>4964e65 3J+ ? ED</p>	<p>D42+6+ >2E6C3+</p>	<p>S6DCAE@7+ A 9 H F C ' 7 9 @ z - B H D C @ 9 ' G C @ B z D = 7 C z 7 7 z @ 5 ' * : H ! ' 5 A D</p>
<p>Z# . y Z# 2? 8=6D y#x Z1 . y Z' 7C24E:@?D y* z \$# Z11 . y Z \$"</p>	<p>52E6+ C6G:D:@?+ 6</p>	<p>77:D9+ H6:9E </p>	<p>SC2H?B E1A6+ COMMSCOPE®</p>
<p>C6>@G6 3FCDD 2?5 3C62< 6586D Z1& 5@ ?@E D42=6 E9:D AC:?E</p>			



C241-GR484

Dark Gray Fine Texture Semi-Gloss



C241-GR07

Gray Fine Texture Semi-Gloss



C241-GR305

Bay Gray Fine Texture Semi-Gloss



T243-GR522

Flint Gray Fine Texture Semi-Gloss



T241-GR11

Platinum Gray Fine Texture Semi-Gloss



T031-WH06

Pearl White Fine Texture Semi-Gloss



T243-GR301

Quartz Gray Fine Texture Semi-Gloss



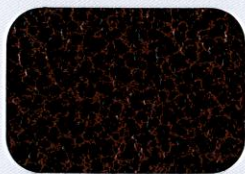
T241-GR142

Light Gray Fine Texture Semi-Gloss



T241-BG137

Beige Fine Texture Semi-Gloss



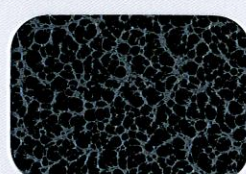
T375-BK07

Copper Vein Semi-Gloss*



T375-BK10

Gold Vein Semi-Gloss*



T375-BK26

Silver Vein Semi-Gloss*



T075-WH34

Black/White Vein Semi-Gloss



T064-BR24

Bronze Hammertone Semi-Gloss



T064-GR660

Gray Hammertone Semi-Gloss



T064-GR05

Silver Hammertone Semi-Gloss



T064-BL95

Blue Hammertone Semi-Gloss



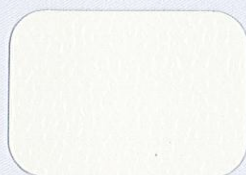
T064-GN81

Green Hammertone Semi-Gloss



C013-GR08

Gray Hammer Semi-Gloss



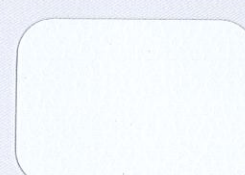
T013-BG38

Beige Hammer Semi-Gloss



T012-WH260

White Hammer Semi-Gloss



T013-WH09

White Hammer Semi-Gloss



T025-BR01

Bronze Pearlescent 50% Gloss



T028-GR02

Steel Gray Pearlescent 80% Gloss



T353-YL02

Brass 30% Gloss*



T357-GR105

Silver Metallic 70% Gloss*



T353-GR06

Silver Metallic 30% Gloss*



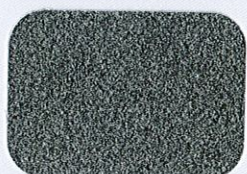
T358-GR539

Chrome 80% Gloss*



T391-BG290

Metallic Bronze Semi-Gloss Texture*



T091-GR309

Mock Rock Texture Semi-Gloss



C291-GN20

Patina Texture Semi-Gloss



T091-GN57

Verdigris Texture Semi-Gloss

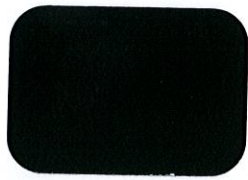


T091-BR47

Rust Texture Semi-Gloss

Computer Colors

Specialty Coatings



C241-BK303
Black Fine Texture Low-Gloss



C081-BK176
Black Wrinkle Semi-Gloss



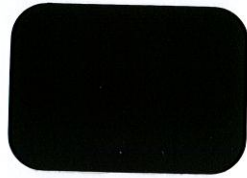
E311-BK04
Black Hammer Low-Gloss**



T013-BK62
Black Hammer Semi-Gloss



T032-BR62
Brown Fine Texture Semi-Gloss



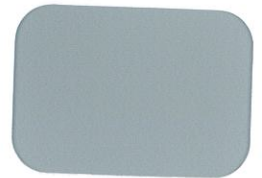
P004-BR23
Bronze 40% Gloss



P004-GR09
ANSI #49 Gray 40% Gloss



P004-GR16
ANSI #61 Gray 40% Gloss



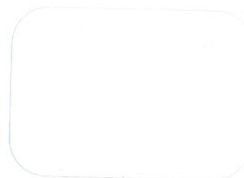
H305-GR10
Light Gunmetal Gray 50% Gloss**



P003-GR01
Gray #26307 30% Gloss



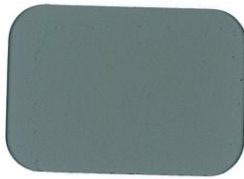
H303-WH16
Antique White 30% Gloss**



P005-WH01
White #27875 50% Gloss



T002-WH08
White 20% Gloss



T008-GR736
Gray ANSI 61 80% Gloss



P008-GR21
RAL 7042 Gray 80% Gloss



T009-GR230
RAL 7035 Gray 90% Gloss



T009-WH13
White 90% Gloss



P009-WH14
White 90% Gloss



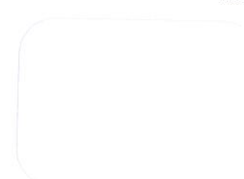
H309-WH27
Frost White 90% Gloss**



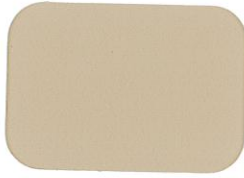
T032-BG03
Beige Texture Semi-Gloss



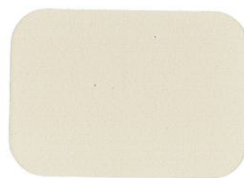
T032-WH15
White Texture Semi-Gloss



C031-WH120
White Texture Semi-Gloss



T009-BG16
Designer Beige 90% Gloss



P009-BG02
Beige 90% Gloss



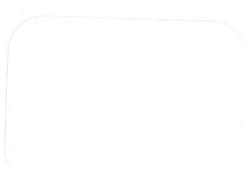
T009-BG01
Almond 90% Gloss



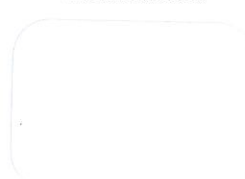
H308-WH25
White 80% Gloss**



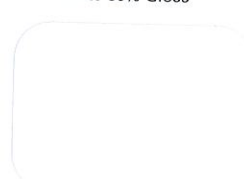
P009-WH04
White 90% Gloss



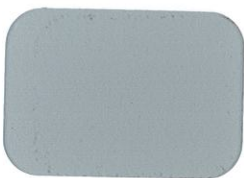
T009-WH11
White 90% Gloss



T009-WH12
Hi-Reflective White 90% Gloss



T007-WH121
White 70% Gloss



E305-GR533
Gray Primer 50% Gloss**



E305-WH243
White Primer 50% Gloss**



H304-GR312
Anti-Gassing Primer 40% Gloss**



E396-GR1372
Zinc Rich Primer

If a clear topcoat finish is preferred
T209-CL01 90% Gloss Clear TGIC Polyester
T002-CL02 20% Gloss Clear TGIC Polyester

The samples on this card are representative only and vary slightly from actual gloss, color and texture.